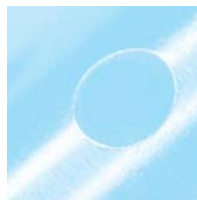




trinocular stereoscopic microscope Nikon SMZ 745T



New trinocular stereoscopic microscope ideally suited for observation and video or digital imaging



trinocular stereoscopic microscope Nikon SMZ 745T



7.5x zoom: extremely high zoom range

The SMZ745T boasts a 7.5x zoom that incorporates the Greenough optical system. The zoom range of 0.67x to 5x provides a broad observation range.

115 mm working distance: the longest in the class

As well as high zoom ratio and magnification, the SMZ745T offers an unrivaled 115 mm working distance.

Trinocular optical head is ideal for monitoring and digital imaging

The SMZ745T incorporates an optical path switching lever that enables easy switchover between eyepiece and camera. A Nikon Digital Sight series camera can be attached.

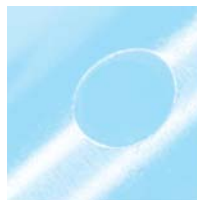
Designed for on-site use

The anti-mold, anti-electrostatic design of the SMZ745T makes it suitable for use in various working environments.

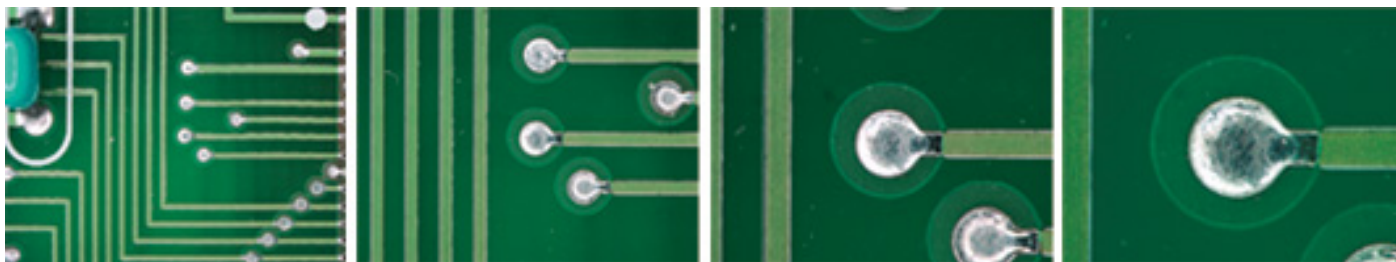
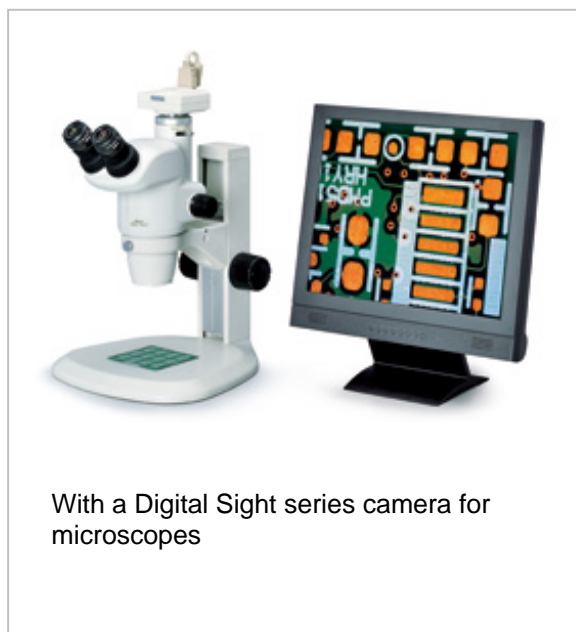


Trinocular optical head is ideal for monitoring and digital imaging

The SMZ745T incorporates an optical path switching lever that enables easy switchover between eyepiece and camera. A Nikon Digital Sight series camera can be attached.



trinocular stereoscopic microscope Nikon SMZ 745T





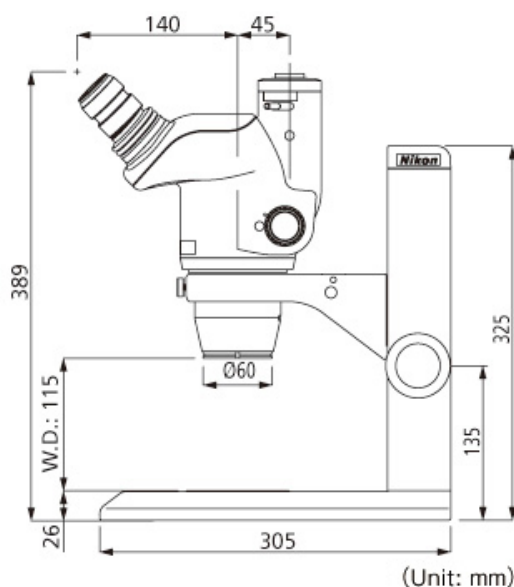
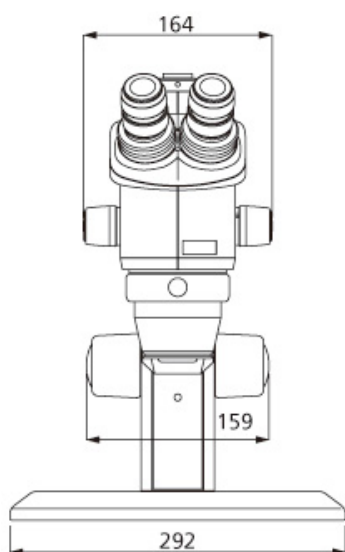
trinocular stereoscopic microscope Nikon SMZ 745T

Specification

Product Code	MMA36410
Product Name	SMZ745T
Total magnification	3.35-300x (depending on eyepiece and auxiliary objective used)
Zoom ratio	7.5:1
Zoom range	0.67-5x (with Click – Stop!)
Standard Eyepieces (with diopter adjustment)	C-W 10xB (F.N. 22)
Eyepiece inclination	45 °
Optical system	Greenough optical system
Eyepiece tube	Fixed type
Interpupillary distance adjustment	52-75 mm
Umschaltung: Beobachtung / Video (rechter Binokulartubus)	100/0, 0/100
Straight tube (video)	0.55x // Built-in C-mount 0.55x magnification lens (F.N. 11), compatible with 2/3 in. or smaller CCD
Elektrostatische Abfallzeit (ESD)	1000 V auf 10 V: > 0.2 Sek.
Working distance	115 mm (standard)
Weight	1.8 kg

Accessories

Eyepieces (with diopter adjustment)	C-W 10xB (F.N. 22), C-W 15x (F.N. 16), C-W 20x (F.N. 12.5), C-W 30x (F.N. 7)
Auxiliary objectives	G-AL 0.5x (211 mm), G-AL 0.7x (150 mm), G-AL 1.5x (61 mm), G-AL 2x (43.5 mm)
Illuminators	Ryf NKL-18, NKL-12b FLRinglights, Ryf RLQ Glassfiber, Nikon Stands C-LEDS, C-LEDS hybrid, LED transmission
Object tables/stages	C-TRS Object stage, C-SSL Dia-slide table
Universal stands	RUS-1/RUS-2/RUS-3 Ryf Universal stands



Optical path switching lever