

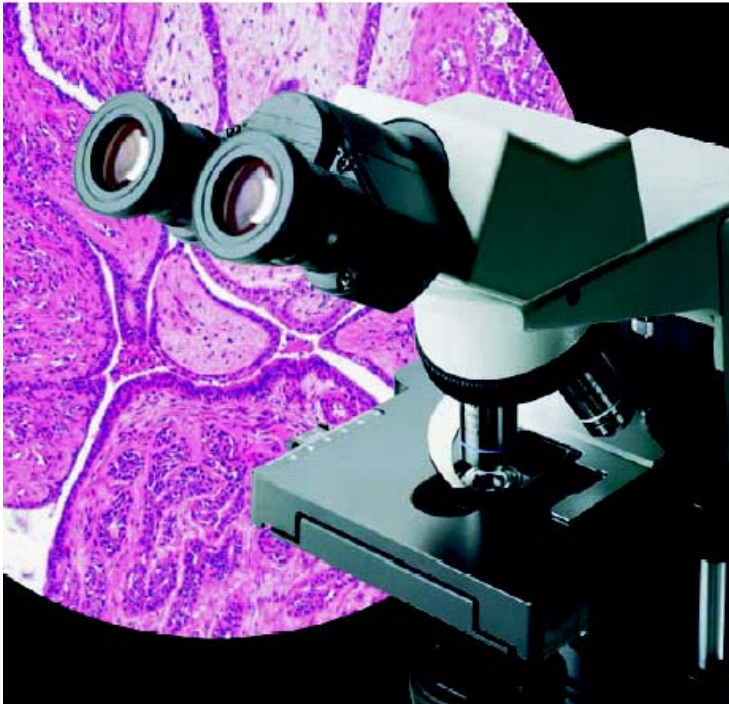


# Biological microscope CX31

## with UIS optics for outstanding flat, sharp and clear image results

*Sharp, clear images — flat all the way to the edge*

UIS  
UNIVERSAL INFINITY SYSTEM

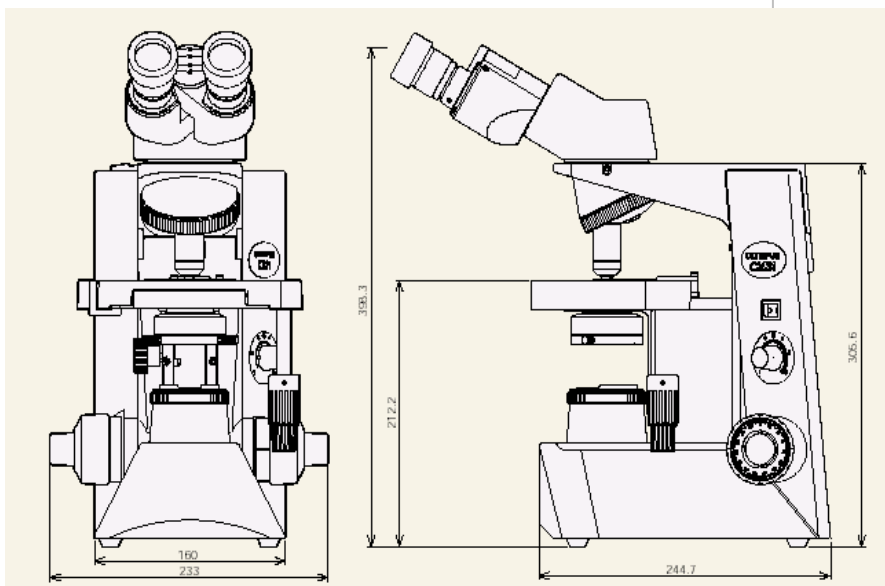


Construction quality is excellent throughout, with objectives, eyepiece, observation tube, revolving nosepiece, highly reliable rackless stage and other components all fixed firmly to the body — so there's nothing to come loose or fall off when the microscope is being transported. The highly reputable rackless stage is employed, and since the X-axis guide does not protrude, both transportation and operation are performed easily and safely.

The illumination system employs a high intensity 6V, 30W halogen lamp for bright images. The aperture iris diaphragm with built-in condenser and standard field stop combine to provide bright and even illumination at all levels of Magnification.

Use of the newly-developed PLC series of UIS objectives improves flatness dramatically, producing sharp, clear images right up to the edge of the field of view. Ideal for the 10x and 40x objectives so frequently used for inspection work, the flatness ranks among the very best in this class of microscopes.

The Olympus CH biological microscopes, which have gained an outstanding worldwide reputation in many medical and educational arenas, now give rise to the new CX31 with UIS infinity optics. The Universal Infinity System optics are the same well-known and advanced optical system featured in the highest quality Olympus microscopes. Evolved from Olympus' best-selling CH series, the new CX models improve all-around performance and offer even greater cost-efficiency. The CX31 is a fixed specification binocular microscope for teaching and routine applications. Ask for a quotation at Ryf AG.





# Biological microscope CX31

## with UIS optics for outstanding flat, sharp and clear image results

CX31	Key Features
<b>Frame including</b>	Low positioned coarse and fine focusing controls and convenient handgrips at the front and back for transportation
<b>Revolving Nosepiece</b>	Quadruple revolving nosepiece fixed to the frame, inward oriented to ensure best access to the specimen slides
<b>Objectives</b>	New infinity corrected UIS Plan C Achromat set (4x, 10x, 40x), optional 100x; magnification range from 2x - 100x with or without oil immersion
<b>Observation Tubes</b>	Binocular tube (Siedentopf) with fixed eyepieces
<b>Condensers</b>	Fixed Abbe condenser NA 1,25 with centering device and integrated blue filter
<b>Illumination</b>	30W halogen for transmitted light, frame integrated FS and centering functions of the condenser ensure "Koehler" illumination, 50W and 100W HBO for fluorescence
<b>Stages</b>	Built in right hand driven stage with unique rackless design, low positioned x y controls with "Ergogrips" to optimize operation; x y travelling range and specimen guide for simultaneous observation of two slides On request built in left hand stage with same specification
<b>Contrast Methods</b>	Brightfield and darkfield as standard, phase contrast optional, reflected light fluorescence
<b>Applications</b>	All clinical applications for private physicians, laboratories and hospitals, professional education
<b>Special Solutions</b>	Unique refocusing stopper and adjustable coarse focus according to individual customer preference; outstanding price/performance ratio, possibility to equip with Olympus digital cameras via eyepiece adapter "Anti fungus" treatment to use in location with high humidity

### Specifications

Item	CX31	
Optical system	UIS (Universal Infinity-corrected) optical system	
Illumination	Built-in transmitted Koehler illuminator 6V30W halogen bulb (Average service time: approximately 100hr. when used as directed) 10-120V/220-240V~ 0.85/0.45A 50/60Hz	
Focusing	<ul style="list-style-type: none"> <li>• Stage height movement by roller guide (rack &amp; pinion) • Stroke per rotation: 36.8mm</li> <li>• Full stroke range: 25mm • Upper limit stopped by simplified pre-focusing dial</li> <li>• Tension adjustment on coarse focus adjustment knob</li> </ul>	
Revolving nosepiece	Fixed quadruple nosepiece with inward tilt	
Binocular observation tube	Field number	20
	Tube inclination	30°
	Interpupillary distance adjustment range	48-75mm
Stage	Size	188(W)x134(D)mm
	Movement range	76mm X-direction x 50mm Y-direction
	Specimen holder	Double slide holder
Condenser	Type	Abbe condenser, with built-in daylight filter
	N.A.	1.25 with oil immersion
	Aperture iris diaphragm	Built-in
Dimensions & weight	233(W)x 411(H) x 367.5(D)mm, 7.7kg (16.9 lb.)	

*Deutsch: verlangen Sie unsere Unterlagen auf deutsch*

*Français: demandez notre catalogue en français !*

*tel +42 032 654 21 00 www.ryfag.ch*