

ryf ag



Ryf AG  
Bettlachstrasse 2  
2540 Grenchen  
tel 032 654 21 00  
fax 032 654 21 09  
[www.ryfag.ch](http://www.ryfag.ch)

*Vision*  
ENGINEERING



---

# Mantis

User Guide

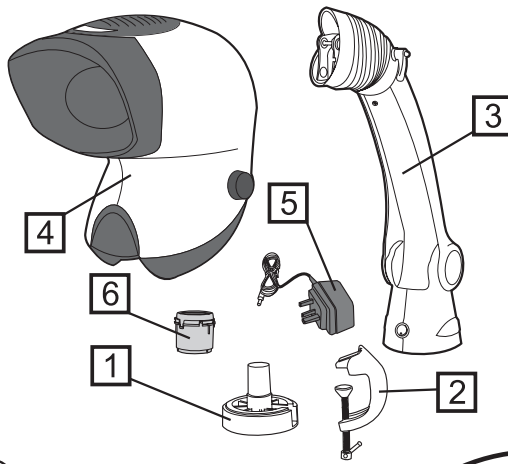
Compact & Elite with Universal Stand

# Table of Contents

<b>English</b>	Mantis Compact	<b>4 - 6</b>
	Mantis Elite	<b>7 - 9</b>
<b>Français</b>	Mantis Compact	<b>10 - 12</b>
	Mantis Elite	<b>13 - 15</b>
<b>Deutsch</b>	Mantis Compact	<b>16 - 18</b>
	Mantis Elite	<b>19 - 21</b>
<b>Italiano</b>	Mantis Compact	<b>22 - 24</b>
	Mantis Elite	<b>25 - 27</b>
<b>Español</b>	Mantis Compact	<b>28 - 30</b>
	Mantis Elite	<b>31 - 33</b>
<b>日本語</b>	Mantis Compact	<b>34 - 36</b>
	Mantis Elite	<b>37 - 39</b>
<b>中文</b>	Mantis Compact	<b>40 - 42</b>
	Mantis Elite	<b>43 - 45</b>
<b>한국어</b>	Mantis Compact	<b>46 - 48</b>
	Mantis Elite	<b>49 - 51</b>
<b>Русский</b>	Mantis Compact	<b>52 - 54</b>
	Mantis Elite	<b>55 - 57</b>

## Packing Contents

- ① Universal mount
- ② G-clamp
- ③ Counter balanced boom stand
- ④ Viewing head
- ⑤ Power adapter
- ⑥ Objective lens



## Assembly

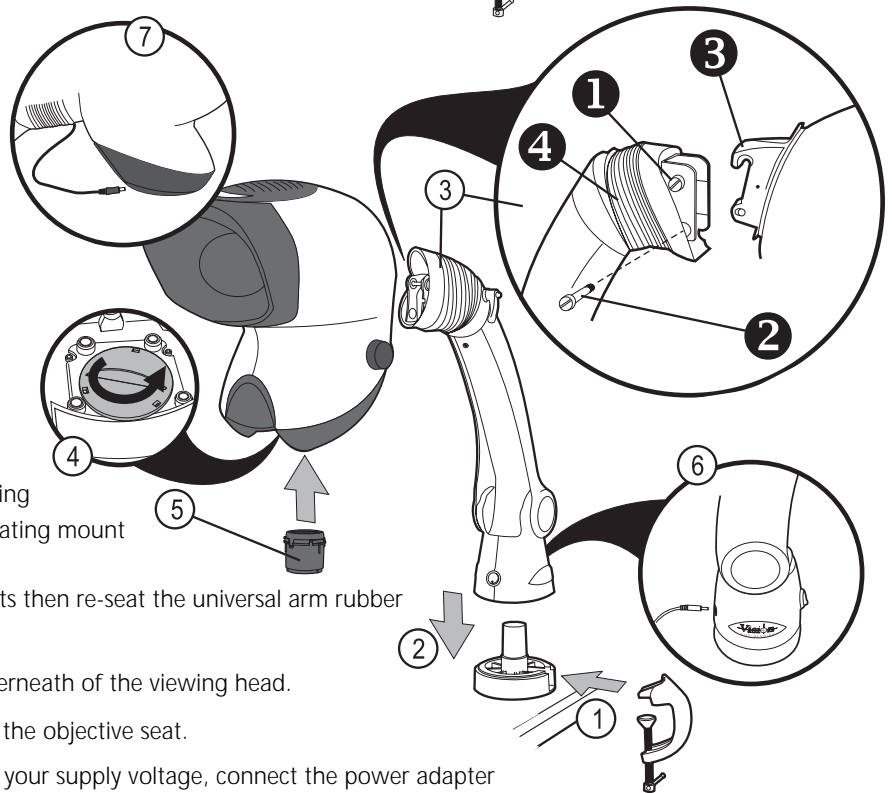
- ① Secure the universal mount to the work surface using the G-clamp provided or by using appropriate screws located in the holes of the mount.
- ② Place the universal arm on top of the universal mount and lower it on to the spigot until it is fully mounted.
- ③ Loosen the upper retaining bolt ① in the universal arm. Remove the lower retaining bolt ②. Carefully place the locating hook of the Mantis viewing head ③ over the upper retaining bolt of the universal arm.

Replace the lower retaining bolt ②, ensuring that the bolt passes through the lower locating mount of the Mantis viewing head.

Tighten the upper and lower retaining bolts then re-seat the universal arm rubber gaiter ④.

- ④ Remove the red transit plug from the underneath of the viewing head.
- ⑤ Fit and lock the chosen objective lens into the objective seat.
- ⑥ Ensuring the power adapter is suitable for your supply voltage, connect the power adapter plug to a suitable power outlet and its output connector to the base of the universal arm.
- ⑦ Connect the output lead at the top of the universal arm to the rear of the viewing head.

**Do not attempt to connect the power adapter directly to the viewing head.**



## Routine Maintenance

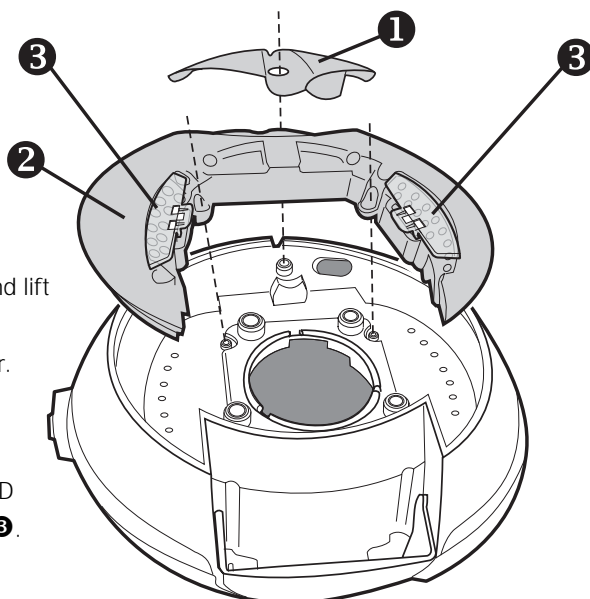
### Desiccant Replacement

The desiccant removes excess moisture from the optical head.

- ▶ Disconnect the power supply from the bottom of the head.
- ▶ Remove the screw securing the desiccant cover ① and lift the cover off.
- ▶ Insert the new desiccant and replace the desiccant cover.

### LED Arrays

- ▶ Remove the desiccant cover ①.
- ▶ Remove the two crosshead screws that secure the LED array ② and remove the array complete with filters ③.
- ▶ Reassembly is the reverse of this procedure.



## Operation

### Overview

Turn on the power switch **1** and place the subject beneath the Mantis viewing head.

### Focus

The aim of the universal stand products is that the height of the instrument is set to a comfortable viewing position and the subject is then lifted (normally by hand) into focus. Thus maintaining optimum ergonomics.

To set the height of the instrument, ensure the friction clamp **2** is loosened then move the viewing head up or down until the required viewing position is obtained and tighten the friction clamp.

### Eye Spacing

Adjust the eye spacing control **3** to obtain a comfortable stereo view.

**Note:** Adjusting the eye spacing is very important for viewing comfort and must be adjusted for each Mantis user.

### Changing Lenses

To change the objective lens, twist and remove lens **4**. Store the lens in the supplied container.

Fit and lock the chosen objective lens into the objective seat.

### Head Counterbalance

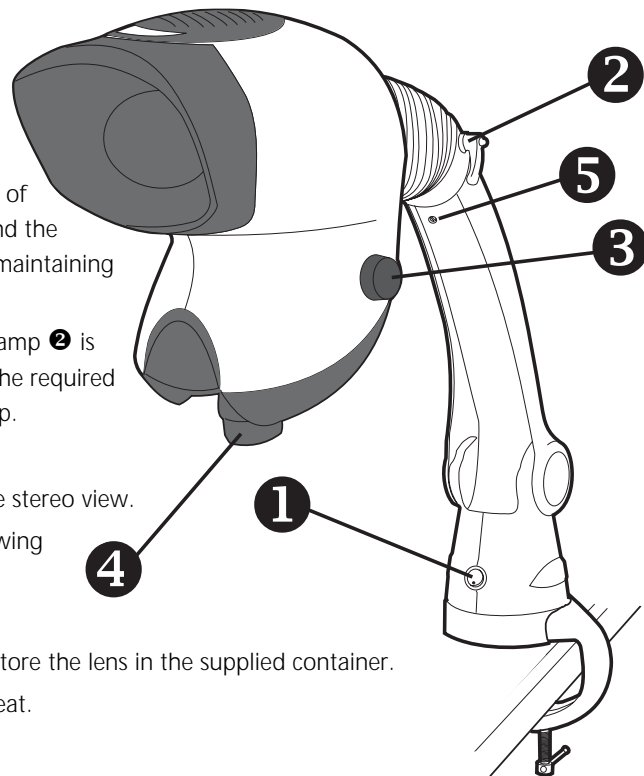
When a lens has been changed, it may be necessary to adjust the head counterbalance. Adjust the counterbalance screw **5** (clockwise for lighter lenses or counter-clockwise for heavier ones) until the viewing head does not drift up or down when unsupported.

### Ergonomic Viewing

An ergonomic posture will ensure that users fully benefit from the advantages provided by the Mantis optical technology.

In setting up your Mantis, firstly arrange your workspace, paying attention to the heights of the chair and table.

When seated with a straight back, your eyes should be comfortably lined up with the Mantis viewing head. Forearms should be supported by the work surface.



## General Care

- ▶ When not in use, cover your Mantis with the dust cover provided.
- ▶ Remove dust with a soft brush or cleaning cloth.
- ▶ The Mantis lenses should be cleaned with a lens cleaning cloth.
- ▶ Keep accessories in a dust-free environment when not in use.

### Service

Service and repair work must only be carried out by service engineers authorised by Vision Engineering.

## Warranty

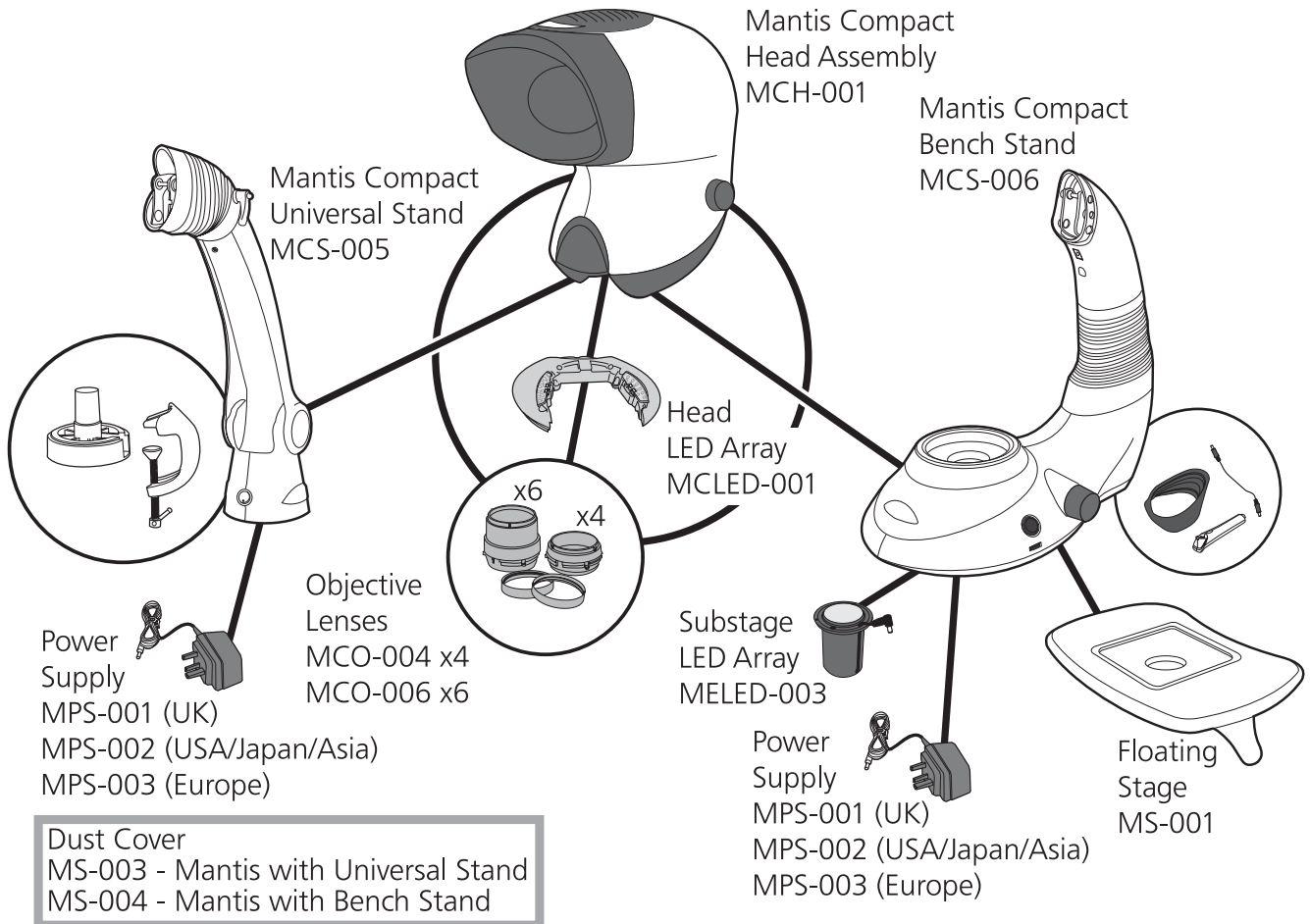
This product is warranted to be free from defects in material and workmanship for a period of one year from the date of invoice to the original purchaser. If during the warranty period the product is found to be defective, it will be repaired or replaced at facilities of Vision Engineering or elsewhere, all at the option of Vision Engineering. However, Vision Engineering reserves the right to refund the purchase price if it is unable to provide replacement, and repair is not commercially practicable or cannot be timely made. Parts not of Vision Engineering manufacture carry only the warranty of their manufacturer. Expendable components such as fuses carry no warranty.

This warranty does not cover damage in transit, damage caused by misuse, neglect, or carelessness, or damage resulting from either improper servicing or modification by other than Vision Engineering approved service personnel. Further, this warranty does not cover any routine maintenance work on the product described in the user guide or any minor maintenance work which is reasonably expected to be performed by the purchaser.

No responsibility is assumed for unsatisfactory operating performance due to environmental conditions such as humidity, dust, corrosive chemicals, deposition of oil or other foreign matter, spillage, or other conditions beyond the control of Vision Engineering.

Except as stated herein, Vision Engineering makes no other warranties, express or implied by law, whether for resale, fitness for a particular purpose or otherwise. Further, Vision Engineering shall not under any circumstances be liable for incidental, consequential or other damages.

# Mantis Compact Product Family



MCO-010 Mantis Compact disposable Objective lens Protection Caps (pack of 4)

## Specification

Objective Lenses		
Objective Lenses	Working Distance	Field of View
x4	96mm	27.5mm
x6	73mm	19.2mm

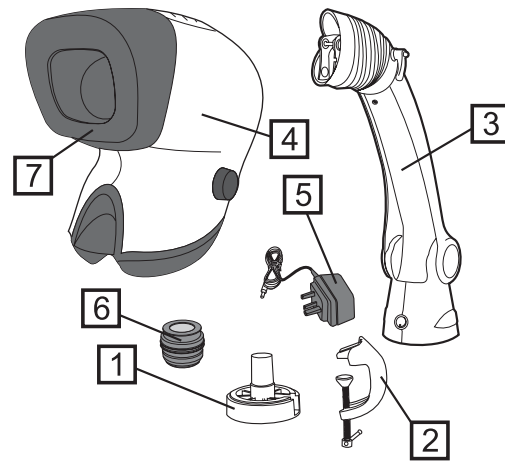
Lighting Data		
LUX intensity measured at subject plane with colour correction filters.		
20 LEDs	9,400 LUX	10,000 hours

Power Supply
9V DC external plug transformer

Accessories
Lens protection caps
Floating Stage (for bench stand)
Dust Cover
Replacement LED Array

## Packing Contents

- 1 Universal mount
- 2 G-clamp
- 3 Counter balanced boom stand
- 4 Viewing head
- 5 Power adapter
- 6 Objective lens
- 7 Anti glare hood



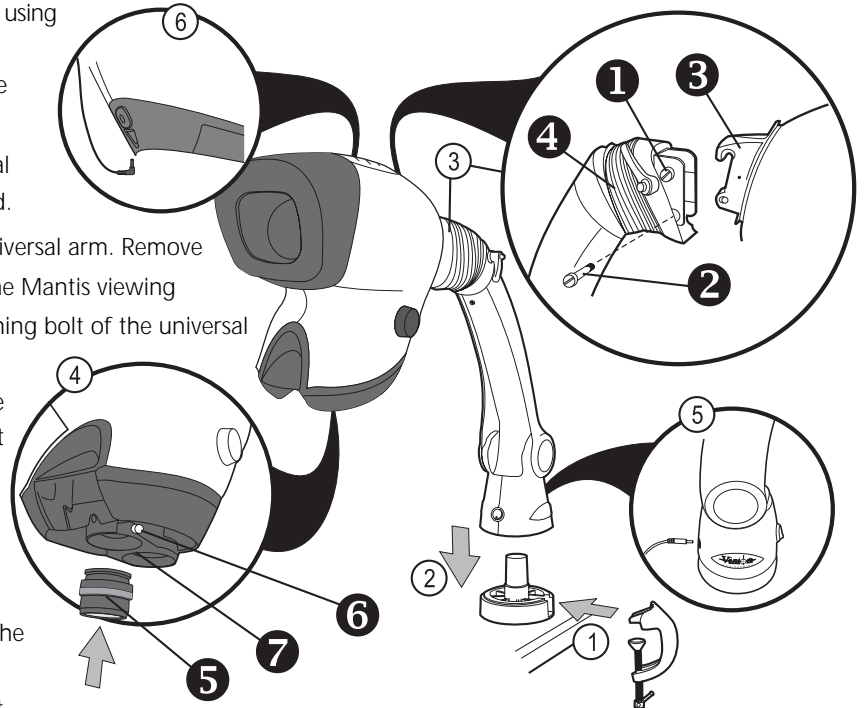
## Assembly

- ① Secure the universal mount to the work surface using the G-clamp provided or by using appropriate screws located in the counter bored holes of the Mount.
- ② Place the universal arm on top of the universal mount. Lower onto spigot until fully mounted.
- ③ Loosen the upper retaining bolt ① on the universal arm. Remove the lower retaining bolt ②. Carefully place the Mantis viewing head's locating hook ③ over the upper retaining bolt of the universal arm.

Replace the lower retaining bolt, ensuring the bolt passes through the lower locating mount of the Mantis viewing head.

Tighten the upper and lower retaining bolts then re-seat the universal arm rubber gaiter ④.

- ④ Fit the chosen objective lens ⑤ into the objective seat (ensuring the Vision logo is at the front) and tighten the securing screw ⑥. If required, rotate the objective turret ⑦ and fit another objective lens in the same way.
- ⑤ Ensuring the power adapter is suitable for your supply voltage, connect the power adapter plug to a suitable power outlet and its output connector to the base of the universal arm.
- ⑥ Connect the output lead at the top of the universal arm to the rear of the viewing head.  
**Do not attempt to connect the power supply directly to the viewing head.**



## Routine Maintenance

### Desiccant Replacement

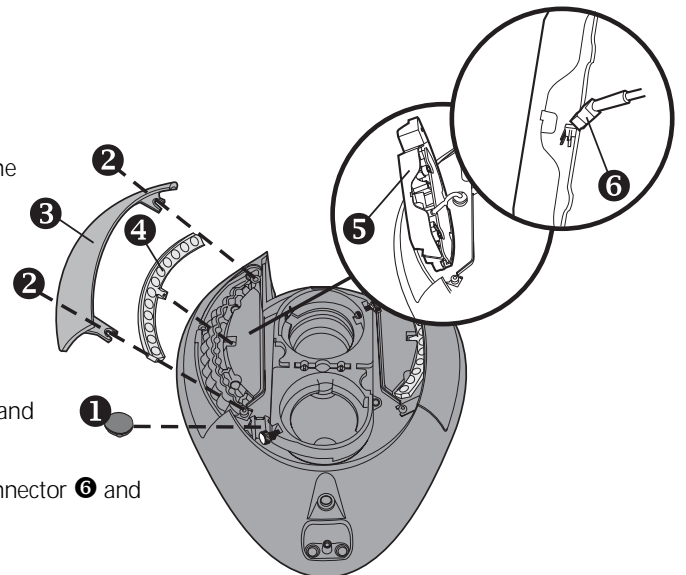
The desiccant removes excess moisture from the optical head.

- ▶ Disconnect the power supply from the bottom of the head.
- ▶ Remove the grommet ① covering the desiccant and remove the desiccant.
- ▶ Insert the new desiccant and replace the grommet.

### LED Arrays

The method for removing the LED arrays is identical for either side.

- ▶ Disconnect the power supply from the bottom of the head.
- ▶ Loosen the two screws ② that secure the filter/array cover ③ and remove the cover.
- ▶ Lift out the LED array ⑤ and turn it over. Disconnect the array connector ⑥ and remove the LED array complete with filter ④.
- ▶ Reassembly is the reverse of this procedure.



## Operation

### Overview

Turn on the power switch **1** and place the subject beneath the Mantis viewing head.

### Focus

Ensuring the friction clamp **2** is loosened, move the viewing head up or down until the subject is in focus.

When focused, tighten the friction clamp.

### Eye Spacing

Adjust the eye spacing control **3** to obtain a comfortable stereo view.

**Note:** Adjusting the eye spacing is very important for viewing comfort and must be adjusted for each Mantis user.

### Changing Lenses

To change an objective lens **4**, loosen the lens securing screw **5** and remove the lens. Store the lens in the supplied holder.

Fit the chosen objective lens into the objective seat and tighten the securing screw.

Alternatively, rotate the objective turret **6** to bring the second objective into use.

### Head Counterbalance

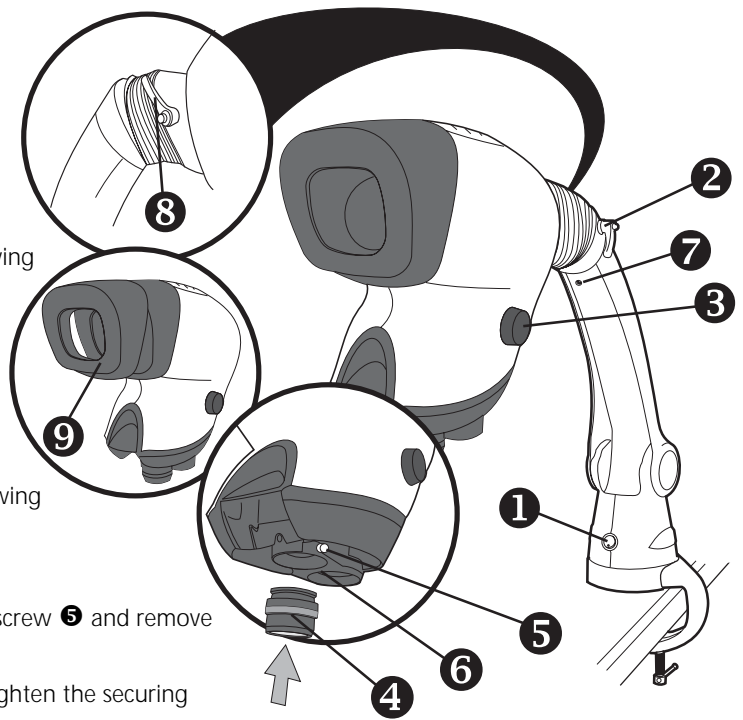
When a lens has been changed, it may be necessary to adjust the head counterbalance. Adjust the counterbalance screw **7** (clockwise for lighter lenses or counter-clockwise for heavier ones) until the viewing head does not drift up or down when unsupported.

### Tilt Adjustment of Head (optional)

Loosen the tilt adjustment friction control **8**, move the viewing head up or down to the required position and tighten the friction control.

### Hood Removal

In certain lighting environments it may improve viewing by removing the anti glare hood **9**.



## General Care

- ▶ Cover your Mantis with a dust cover when not in use.
- ▶ Remove dust with a soft brush or cleaning cloth.
- ▶ The Mantis viewing screen and lenses should be cleaned with a lens cleaning cloth.
- ▶ Keep accessories in a dust-free environment when not in use.

### Service

Service and repair work must only be carried out by service engineers authorised by Vision Engineering.

## Warranty

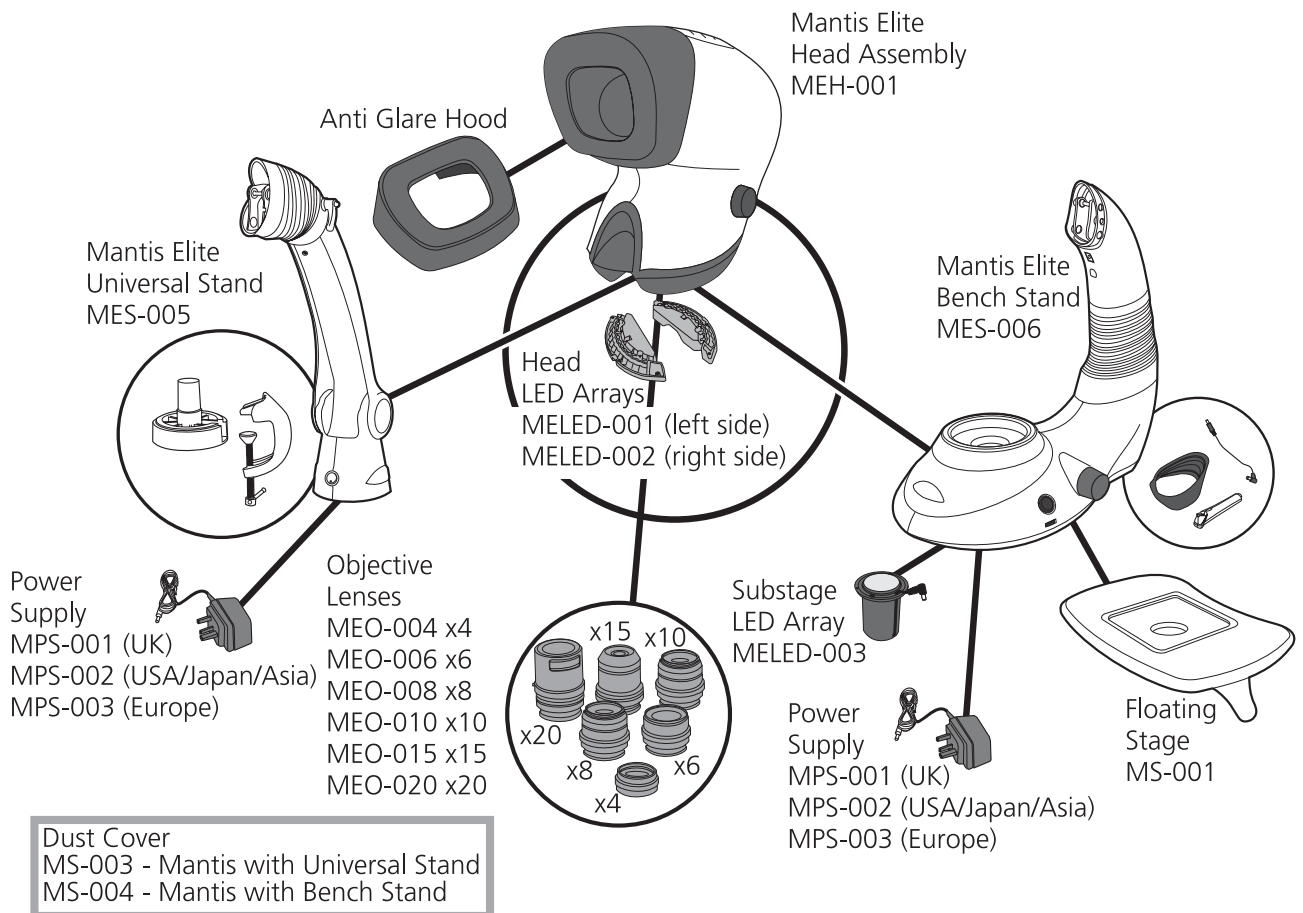
This product is warranted to be free from defects in material and workmanship for a period of one year from the date of invoice to the original purchaser. If during the warranty period the product is found to be defective, it will be repaired or replaced at facilities of Vision Engineering or elsewhere, all at the option of Vision Engineering. However, Vision Engineering reserves the right to refund the purchase price if it is unable to provide replacement, and repair is not commercially practicable or cannot be timely made. Parts not of Vision Engineering manufacture carry only the warranty of their manufacturer. Expendable components such as fuses carry no warranty.

This warranty does not cover damage in transit, damage caused by misuse, neglect, or carelessness, or damage resulting from either improper servicing or modification by other than Vision Engineering approved service personnel. Further, this warranty does not cover any routine maintenance work on the product described in the user guide or any minor maintenance work which is reasonably expected to be performed by the purchaser.

No responsibility is assumed for unsatisfactory operating performance due to environmental conditions such as humidity, dust, corrosive chemicals, deposition of oil or other foreign matter, spillage, or other conditions beyond the control of Vision Engineering.

Except as stated herein, Vision Engineering makes no other warranties, express or implied by law, whether for resale, fitness for a particular purpose or otherwise. Further, Vision Engineering shall not under any circumstances be liable for incidental, consequential or other damages.

# Mantis Elite Product Family



MEO-025 Mantis Elite disposable Objective lens Protection Caps (pack of 4) for x4, x8 & x10 objectives  
 MEO-026 Mantis Elite disposable Objective lens Protection Caps (pack of 4) for x6 objective

## Specification

Objective Lenses		
Objective Lenses	Working Distance	Field of View
x4	96mm	34.0mm
x6	68mm	23.0mm
x8	59mm	17.0mm
x10	54mm	13.5mm
x15	40mm	8.8mm
x20	29mm	6.5mm

Power Supply
9V DC external plug transformer

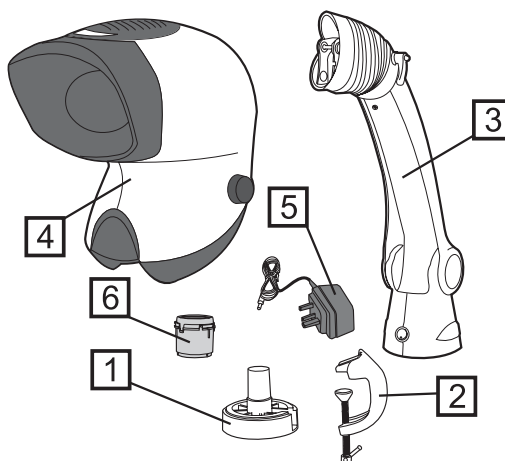
Accessories
Lens protection caps
Floating Stage (for each bench stand)
Dust Cover
Replacement LED Array

Lighting Data		
LUX intensity measured at subject plane with colour correction filters.		
24 LEDs	11,000 LUX	10,000 hours



## Contenu des colis

- ❶ Embase
- ❷ Serre joint
- ❸ Bras articulé
- ❹ Tête de projection
- ❺ Alimentation secteur
- ❻ Objectif



## Montage

❶ Fixer l'embase sur le plan de travail avec le serre-joint fourni ou en la vissant au travers des trous réservés à cet usage.

❷ Placer le bras articulé sur l'embase en l'enfonçant au maximum sur l'axe.

❸ Desserer le boulon supérieur ❶ sur le bras articulé. Enlever le boulon du bas ❷. Placer délicatement le crochet de fixation de la tête Mantis ❸ sur le boulon supérieur du bras articulé.

Replacer le boulon du bas ❷, en s'assurant qu'il passe dans le trou prévu à cet effet dans la tête Mantis.

Serrer le boulon du haut et mettre en place le manchon en caoutchouc ❹.

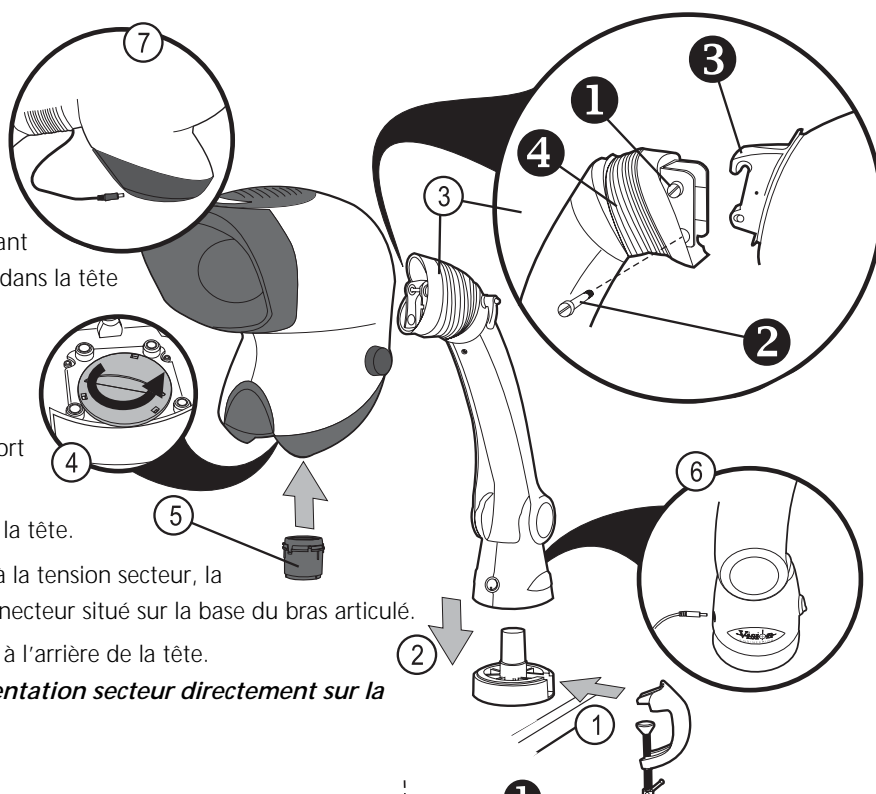
❹ Retirer la pièce rouge destinée au transport sous la tête.

❺ Insérer et verrouiller l'objectif choisi sous la tête.

❻ S'assurer que l'alimentation correspond à la tension secteur, la brancher à la prise murale et dans le connecteur situé sur la base du bras articulé.

❼ Connecter le câble situé en haut du bras à l'arrière de la tête.

**Ne jamais tenter de connecter l'alimentation secteur directement sur la tête.**



## Maintenance de routine

### Remplacement du dessiccant

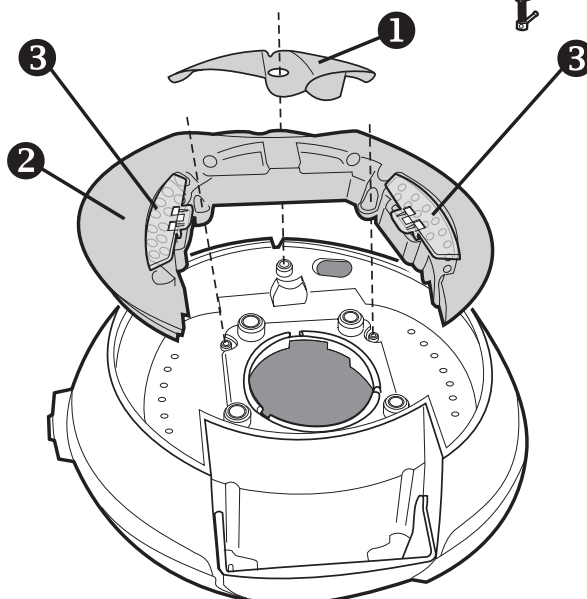
Le dessiccant enlève l'excès d'humidité de la tête.

- ▶ Déconnecter l'alimentation de la tête.
- ▶ Retirer la vis du cache dessiccant ❶ et ôter le couvercle.
- ▶ Remplacer le dessiccant.

### LED Arrays

- ▶ Retirer le cache du dessiccant ❶.
- ▶ Retirer les 2 vis cruciformes qui tiennent le support des LED ❷ et retirer l'ensemble avec les filtres ❸.

**Remonter dans l'ordre inverse.**



## Utilisation

### Général

Presser l'interrupteur de puissance **1** et placer un sujet sous la tête.

### Mise au point

Le but du statif universel (bras articulé) est d'être réglé confortablement à la bonne hauteur des yeux et ensuite de prendre le sujet à la main et de le focaliser, offrant ainsi une ergonomie optimale.

Pour régler la hauteur de l'instrument, s'assurer que la vis de friction **2** est desserrée, puis ajuster la tête en bas ou en haut jusqu'à la bonne hauteur, puis resserrer la vis.

### Ecartement des yeux

Ajuster le bouton d'écartement des yeux **3** pour obtenir une vision stéréoscopique confortable.

**Note:** Ajuster l'écartement des yeux est très important pour le confort de vision et doit être fait pour chaque utilisateur.

### Changement d'objectif

Pour changer d'objectif, le tourner et le retirer **4**. Le replacer dans sa boîte.

Enfoncer et tourner le nouvel objectif dans son réceptacle.

### Contrepoids de la tête

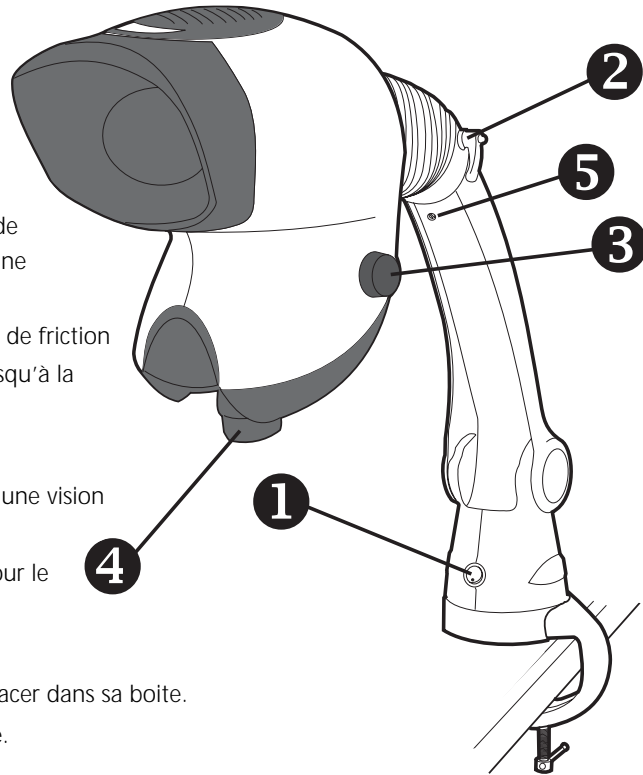
Quand on change un objectif il peut être nécessaire de régler le contrepoids. Ajuster la vis **5** (dans le sens horaire pour un objectif léger et vice versa) jusqu'à ce que la tête reste immobile lorsqu'elle n'est pas tenue.

### Vision ergonomique

Une posture ergonomique est nécessaire pour tirer avantage de la technologie optique de la Mantis.

En réglant votre Mantis porter attention à l'espace de travail, en particulier à la hauteur de la chaise et de la table.

En étant assis avec le dos droit, les yeux doivent être à hauteur de la tête Mantis et les avant bras reposer sur la table.



## Conseils

- ▶ Quand la Mantis n'est pas utilisée elle doit être recouverte d'une housse.
- ▶ Enlever la poussière avec une brosse douce ou un chiffon propre.
- ▶ Les objectifs doivent être nettoyés avec un nettoyant pour verres de lunettes.
- ▶ Garder les accessoires à l'abri de la lumière.

### Dépannage

Le dépannage et les réparations doivent être effectués par du personnel agréé Vision Engineering.

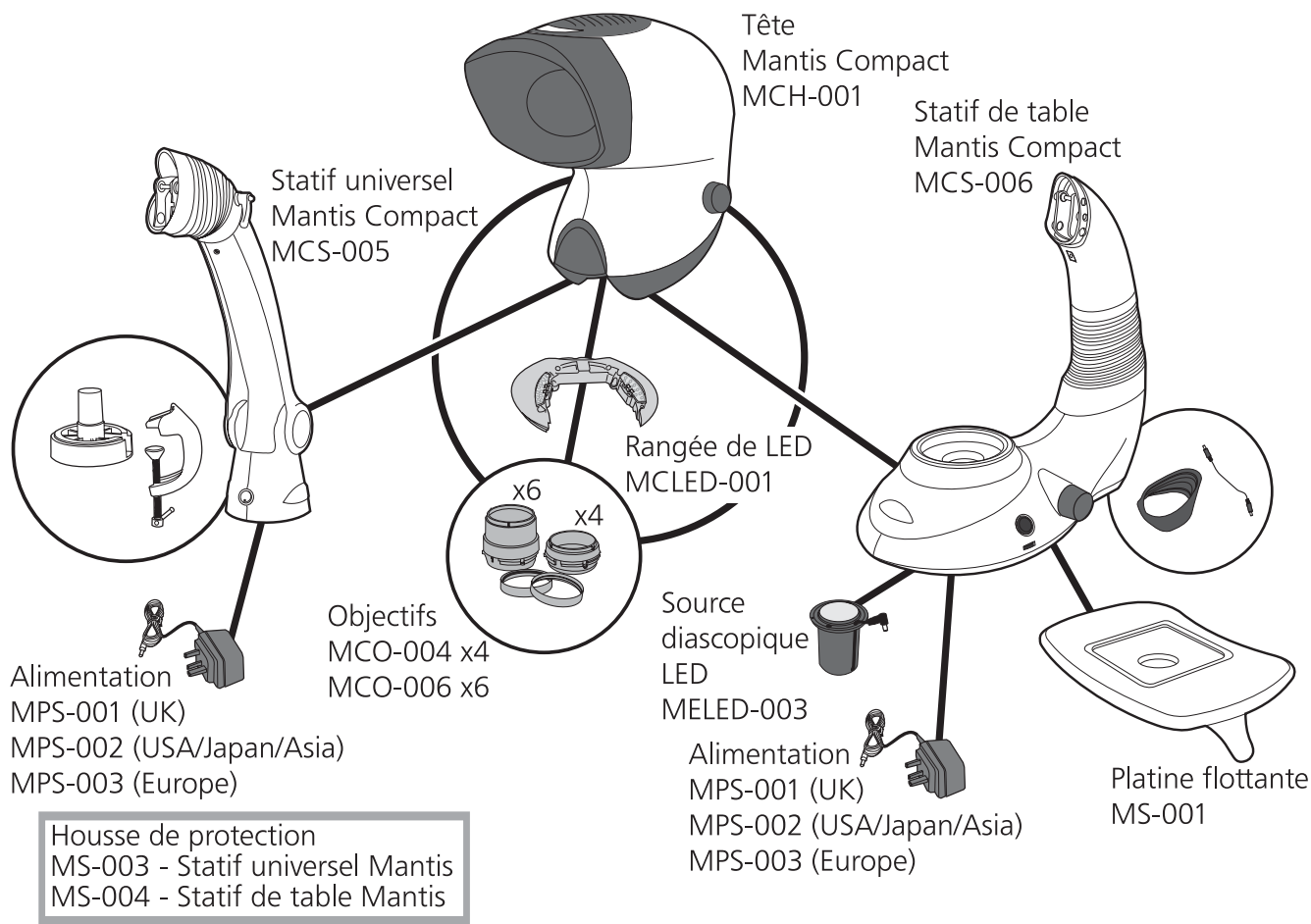
## Garantie

Ce produit est garanti exempt de défauts dans le matériel et la fabrication pendant une période d'un an de la date de la facture à l'acheteur final. Si pendant la période de garantie le produit s'avère défectueux, il sera réparé ou remplacé chez Vision Engineering ou ailleurs, au choix de Vision Engineering. Cependant, Vision Engineering se réserve le droit de rembourser le prix d'achat s'il ne peut pas fournir le remplacement, si ce n'est pas commercialement faisable ou si le produit ne peut être dépanné. Les parties qui ne sont pas fabriquées par Vision Engineering sont garanties par leur fabricant. Les composants consommables tels que des fusibles ne portent aucune garantie.

Cette garantie ne couvre pas des dommages en transit, des dommages provoqués par l'abus, la négligence, ou l'inattention, ou des dommages résultant de l'entretien inexact ou de la modification par d'autre que le personnel de service approuvé par Vision Engineering. De plus, cette garantie ne couvre aucun travail d'entretien courant sur le produit décrit dans le guide d'utilisateur ou aucun travail mineur d'entretien qui est raisonnablement attendu être effectué par l'acheteur.

Aucune responsabilité n'est assumée d'un fonctionnement insuffisant du aux conditions environnementales telles que l'humidité, la poussière, les produits chimiques corrosifs, le dépôt d'huile ou d'autres corps étrangers, le débordement, ou d'autres conditions indépendantes de la volonté de Vision Engineering. Excepté comme indiqué ci-dessus, Vision Engineering n'appliquera aucune autre garantie de quel ordre que ce soit. De plus, Vision Engineering ne sera, en aucune circonstance, rendu responsable de dommages fortuits, consécutifs ou autres.

# Famille de produit Mantis Compact



MCO-010 Verres de protection pour objectifs de Mantis Compact (pack de 4)

## Spécifications

Objectifs		
Objectifs	Distance de travail	Champ visuel
x4	96mm	27,5mm
x6	73mm	19,2mm

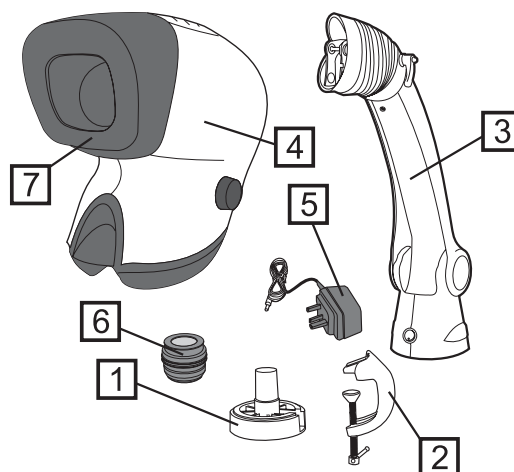
Spécifications D'éclairage		
Intensité lumineuse mesurée sur un sujet plan avec filtres correcteurs		
20 LEDs	9.400 LUX	10.000 heures

Alimentation
Adaptateur secteur externe 9V DC

Accessoires
Verres de protection des objectifs
Platine flottante (pour statif de table)
Housse de protection
Ensemble de LED de remplacement

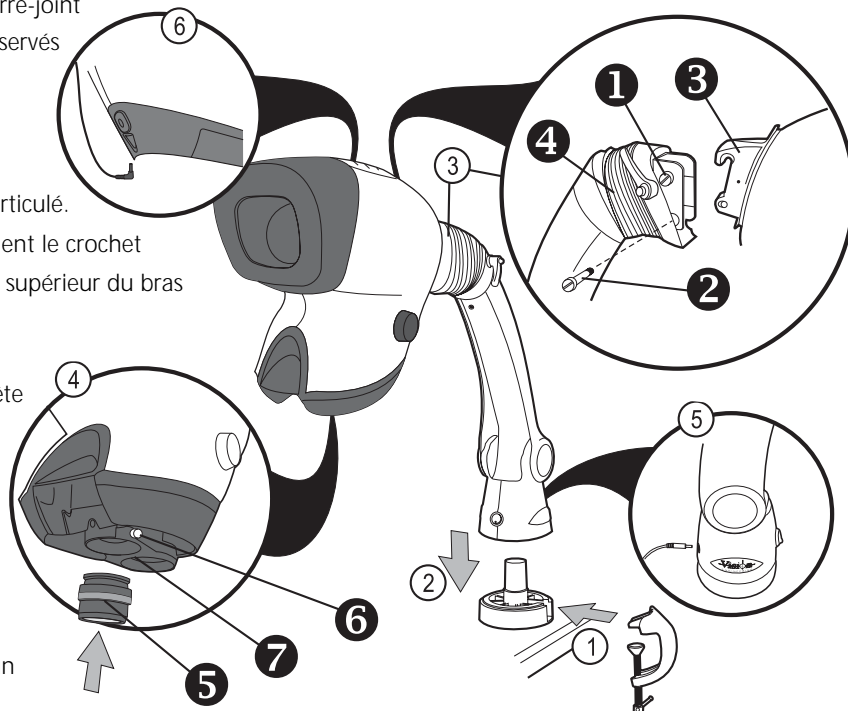
## Contenu des colis

- 1 Embase
- 2 Serre joint
- 3 Bras articulé
- 4 Tête de projection
- 5 Alimentation secteur
- 6 Objectif
- 7 Visière anti reflets



## Montage

- 1 Fixer l'embase sur le plan de travail avec le serre-joint fourni ou en la vissant au travers des trous réservés à cet usage.
- 2 Placer le bras articulé sur l'embase en l'enfonçant au maximum sur l'axe.
- 3 Desserrer le boulon supérieur 1 sur le bras articulé. Enlever le boulon du bas 2. Placer délicatement le crochet de fixation de la tête Mantis 3 sur le boulon supérieur du bras articulé. Replacer le boulon du bas, en s'assurant qu'il passe dans le trou prévu à cet effet dans la tête Mantis. Serrer le boulon du haut et mettre en place le manchon en caoutchouc 4.
- 4 Insérer l'objectif choisi 5 dans l'emplacement prévu (avec le logo Vision sur l'avant) et serrer la vis de fixation 6. Si nécessaire, tourner la tourelle 7 et monter un autre objectif de la même manière.
- 5 S'assurer que l'alimentation correspond à la tension secteur, la brancher à la prise murale et dans le connecteur situé sur la base du bras articulé.
- 6 Connecter le câble situé en haut du bras à l'arrière de la tête.  
**Ne jamais tenter de connecter l'alimentation secteur directement sur la tête.**



## Maintenance de routine

### Remplacement du dessiccant

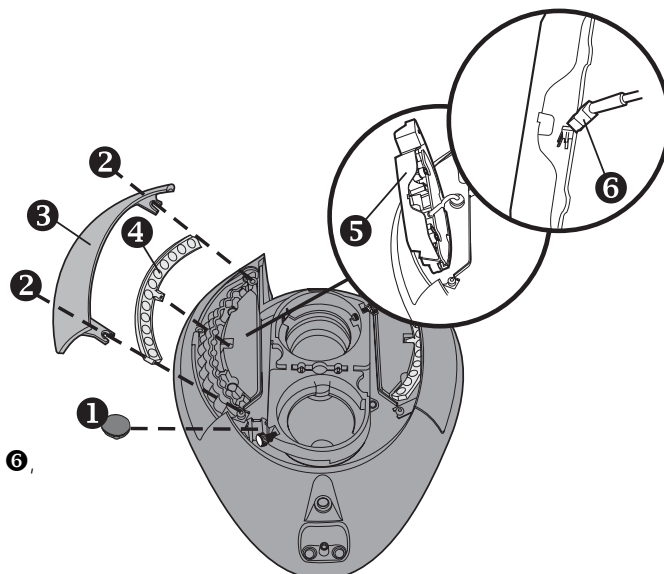
Le dessiccant enlève l'excès d'humidité de la tête.

- ▶ Déconnecter l'alimentation de la tête.
- ▶ Retirer le bouchon 1 et ôter la cartouche.
- ▶ Remplacer le dessiccant, replacer le bouchon.

### Ensemble LED

La méthode est la même pour les deux côtés.

- ▶ Déconnecter l'alimentation de la tête.
- ▶ Retirer les 2 vis cruciformes qui tiennent le support de filtre et les LED 2 et retirer le couvercle 3.
- ▶ Soulever la rangée de LED 5 et la retourner. Retirer le connecteur 6, puis l'ensemble avec le filtre 4.
- ▶ Remonter dans l'ordre inverse.



## Utilisation

### Général

Presser l'interrupteur de puissance **1** et placer un sujet sous la tête.

### Mise au point

Le but du statif universel (bras articulé) est d'être réglé confortablement à la bonne hauteur des yeux et ensuite de prendre le sujet à la main et de le focaliser, offrant ainsi une ergonomie optimale.

Pour régler la hauteur de l'instrument, s'assurer que la vis de friction **2** est desserrée, puis ajuster la tête en bas ou en haut jusqu'à la bonne hauteur, puis resserrer la vis.

### Ecartement des yeux

Ajuster le bouton d'écartement des yeux **3** pour obtenir une vision stéréoscopique confortable.

**Note:** Ajuster l'écartement des yeux est très important pour le confort de vision et doit être fait pour chaque utilisateur.

### Changement d'objectif

Pour changer un objectif **4**, desserrer la vis **5** et retirer l'objectif. Le remettre dans sa boîte.

Mettre en place le nouvel objectif et resserrer la vis.

Sinon, tourner la tourelle **6** pour utiliser le deuxième objectif.

### Contre-poids de la tête

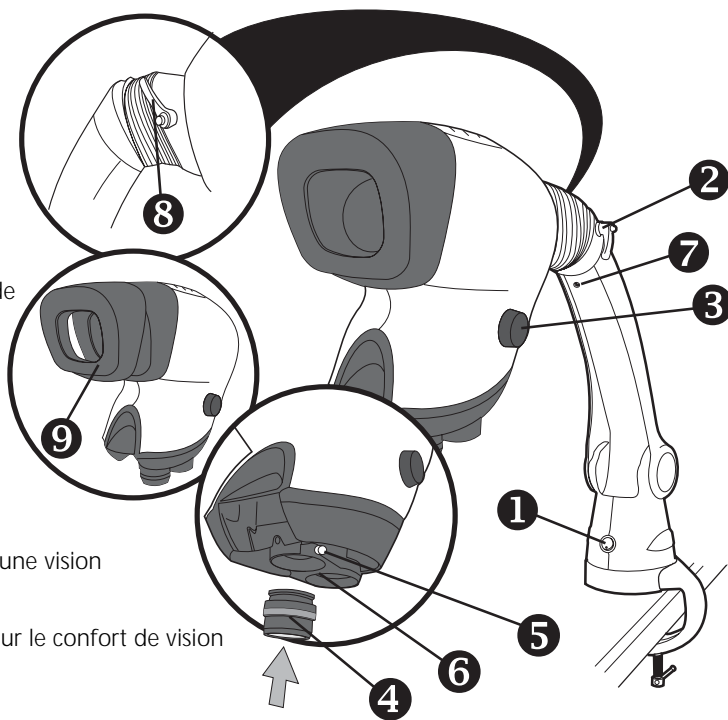
Quand on change un objectif il peut être nécessaire de régler le contre-poids. Ajuster la vis **7** (dans le sens horaire pour un objectif léger et vice versa) jusqu'à ce que la tête reste immobile lorsqu'elle n'est pas tenue.

### Ajustement angulaire de la tête (en option)

Desserrer la vis de friction **8**, déplacer la tête vers le haut ou vers le bas jusqu'à la position choisie. Resserrer la vis.

### Visière anti reflêts

Dans certains environnements lumineux il peut être préférable d'enlever la visière **9**.



## Conseils

- ▶ Quand la Mantis n'est pas utilisée elle doit être recouverte d'une housse.
- ▶ Enlever la poussière avec une brosse douce ou un chiffon propre.
- ▶ Les objectifs doivent être nettoyés avec un nettoyant pour verres de lunettes.
- ▶ Garder les accessoires à l'abri de la lumière.

### Dépannage

Le dépannage et les réparations doivent être effectués par du personnel agréé Vision Engineering.

## Garantie

Ce produit est garanti exempt de défauts dans le matériel et la fabrication pendant une période d'un an de la date de la facture à l'acheteur final.

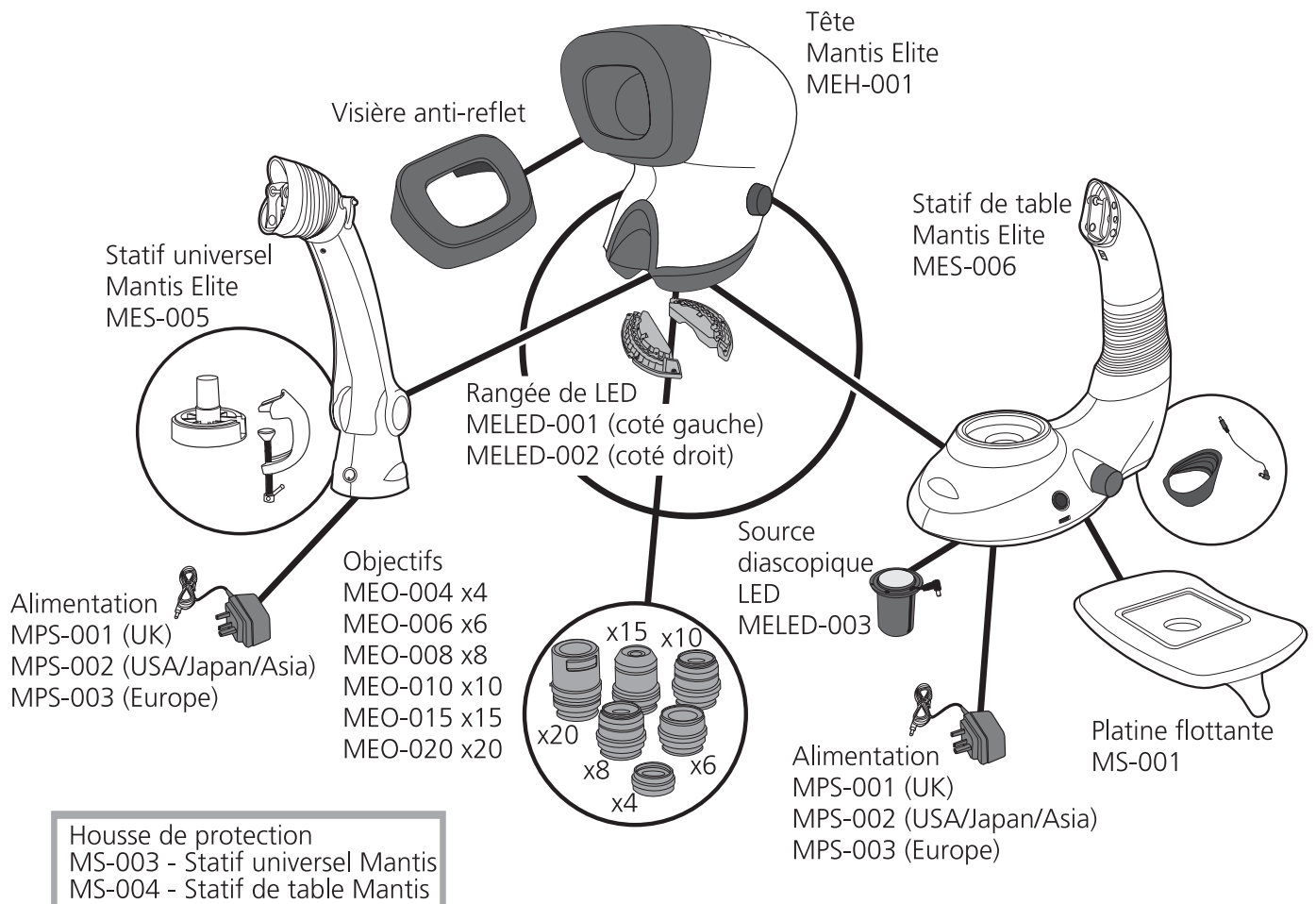
Si pendant la période de garantie le produit s'avère défectueux, il sera réparé ou remplacé chez Vision Engineering ou ailleurs, au choix de Vision Engineering. Cependant, Vision Engineering se réserve le droit de rembourser le prix d'achat s'il ne peut pas fournir le remplacement, si ce n'est pas commercialement faisable ou si le produit ne peut être dépanné. Les parties qui ne sont pas fabriquées par Vision Engineering sont garantis par leur fabricant. Les composants consommables tels que des fusibles ne portent aucune garantie.

Cette garantie ne couvre pas des dommages en transit, des dommages provoqués par l'abus, la négligence, ou l'inattention, ou des dommages résultant de l'entretien inexact ou de la modification par d'autre que le personnel de service approuvé par Vision Engineering. De plus, cette garantie ne couvre aucun travail d'entretien courant sur le produit décrit dans le guide d'utilisateur ou aucun travail mineur d'entretien qui est raisonnablement attendu être effectué par l'acheteur.

Aucune responsabilité n'est assumée d'un fonctionnement insuffisant du aux conditions environnementales telles que l'humidité, la poussière, les produits chimiques corrosifs, le dépôt d'huile ou d'autres corps étrangers, le débordement, ou d'autres conditions indépendantes de la volonté de Vision Engineering.

Excepté comme indiqué ci-dessus, Vision Engineering n'appliquera aucune autre garantie de quel ordre que ce soit. De plus, Vision Engineering ne sera, en aucune circonstance, rendu responsable de dommages fortuits, consécutifs ou autres.

## Famille de produit Mantis Elite



MEO-025 Verres de protection pour objectifs de Mantis Elite (pack de 4), objectifs x4, x8 et x10.  
MEO-026 Verres de protection pour objectifs de Mantis Elite (pack de 4), objectifs x6.

## Spécifications

Objectifs		
Objectifs	Distance de travail	Champ visuel
x4	96mm	34,0mm
x6	68mm	23,0mm
x8	59mm	17,0mm
x10	54mm	13,5mm
x15	40mm	8,8mm
x20	29mm	6,5mm

Spécifications D'éclairage		
Intensité lumineuse mesurée sur un sujet plan avec filtres correcteurs		
24 LEDs	11.000 LUX	10.000 heures

## Alimentation

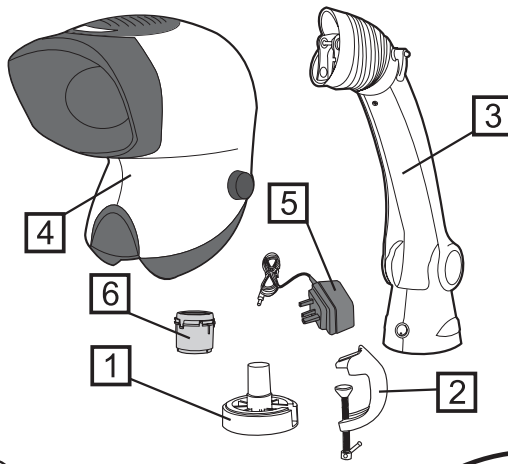
Adaptateur secteur externe 9V DC

## Accessoires

Verres de protection des objectifs  
Platine flottante (pour statif de table)  
Housse de protection  
Ensemble de LED de remplacement

## Packungsinhalt

- ① Universalhalterung
- ② Montageklemme
- ③ Universalständer
- ④ Projektionskopf
- ⑤ Steckernetzteil
- ⑥ Objektiv



## Aufbauanleitung

- ① Die Universalhalterung wird am Arbeitstisch befestigt, entweder durch Klemmung der mitgelieferten Montageklemme, oder mit drei entsprechenden Schrauben (Schrauben nicht im Lieferumfang).
- ② Die Unterseite des Universalständers wird mit der Universalhalterung in Deckung gebracht und über den Führungsbolzen der Halterung geschoben bis der Ständer plan aufliegt.
- ③ Den oberen Haltebolzen ① im Universalständer lösen. Dann den darunter liegenden Haltebolzen ② entfernen. Führen Sie nun den Fixierhacken ③ des Mantis Projektionskopfes vorsichtig über den oberen Haltebolzen des Universalständers. Fixieren Sie nun den Projektionskopf am Universalständer durch Einschrauben des Haltbolzens ②, welcher durch die untere Bohrung der Mantis Kopfhalterung zu führen ist. Beide Haltebolzen festziehen und Gummischutz ④ des Universalständers am Befestigungssteg der Mantis Kopfhalterung überstülpen.
- ④ Rote Transportkappe der Objektivaufnahme an der Unterseite des Projektionskopfes entfernen.
- ⑤ Drehen Sie das Objektiv mit einer viertel Umdrehung gegen den Uhrzeigersinn in die Objektivaufnahme.
- ⑥ Vergewissern Sie sich, dass Sie das passende Steckernetzteil mit entsprechender Netzspannung vorfinden. Netzteil anschließen und Klinkenstecker in die dafür vorgesehene Buchse am Universalständer fügen.
- ⑦ Verbinden Sie das Niederspannungskabel am Universalständer mit der Eingangsbuchse an der Rückseite des Projektionskopfes.

**Verbinden Sie auf keinen Fall das Steckernetzteil direkt mit dem Projektionskopf.**

## Wartung

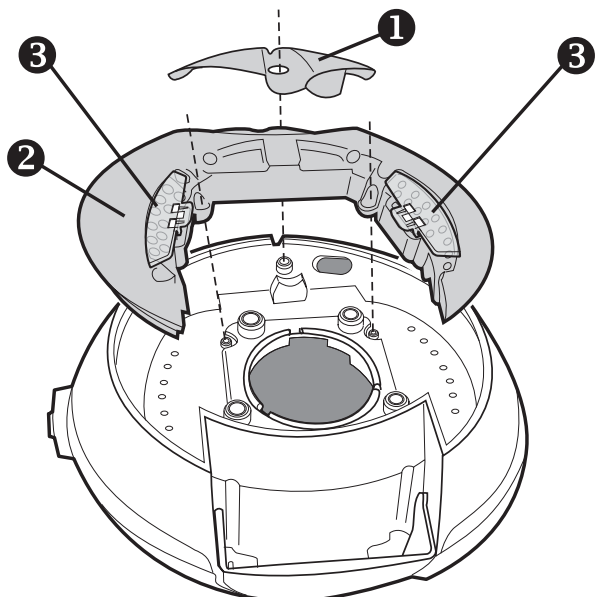
### Luftfeuchtigkeitskontrolle

Der Projektionskopf ist mit einer Luftentfeuchtungspatrone ausgerüstet. Bei Verfärbung der Patrone, diese austauschen.

- ▶ Trennen Sie das Niederspannungskabel vom Projektionskopf.
- ▶ Lösen Sie die Schraube der Entfeuchtungsabdeckung ① und entfernen Sie die Abdeckung.
- ▶ Ersetzen Sie die Luftentfeuchtungspatrone.

### LED-Beleuchtung

- ▶ Entfernen Sie die Luftentfeuchtungsabdeckung ①.
- ▶ Lösen Sie die zwei Kreuzschlitzschrauben der Beleuchtungseinheit ② und entfernen Sie die gesamte Einheit inklusive Filter ③.
- ▶ Ersetzen Sie die LED-Einheit.



## Bedienung

### Betrachtung eines Objektes

Betätigen Sie den Netzschalter **1** und platzieren Sie das zu betrachtende Objekt unterhalb des Objektivs.

### Fokussierung

Der richtige Fokuspunkt wird frei Hand durch Auf-/Abbewegung des Objektes, oder bei aufgelegtem Objekt durch Heben und Senken des Projektionskopfes, gefunden.

Durch Lösen oder Festigen des Klemmhebels **2**, besteht die Möglichkeit den Universalständer in der Höhe zu arretieren.

### Justage des Augenabstandes

Über den Drehregler **3** wird die Optik auf den Augenabstand des Betrachters eingestellt, bis Sie ein optimales 3-dimensionales Stereobild erhalten.

**Anmerkung:** Die Justage des Augenabstandes ist entscheidend für komfortables Betrachten und muss von jedem Benutzer durchgeführt werden.

### Objektivwechsel

Durch eine kurze Drehung wechseln Sie das Objektiv **4**. Objektiv in mitgelieferter Dose aufbewahren. Befestigen Sie das gewählte Objektiv wieder durch eine kurze Drehung in die Objektivaufnahme.

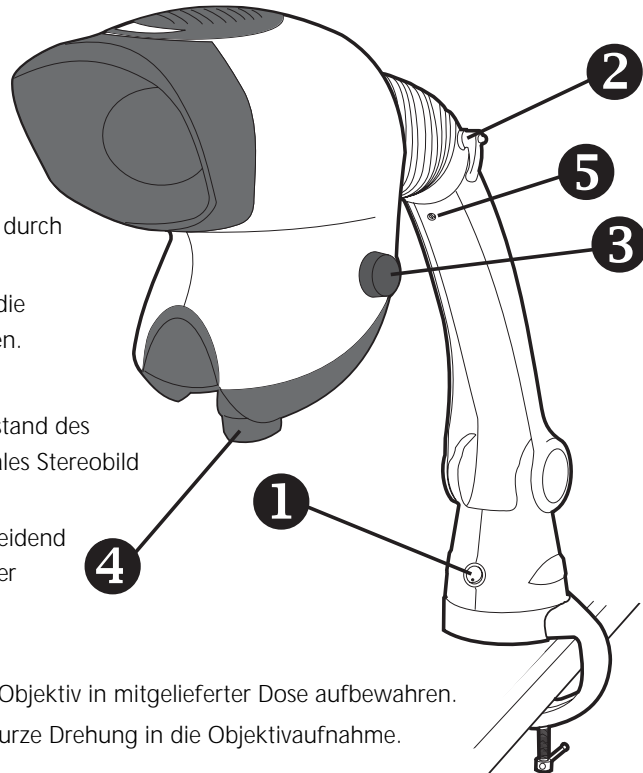
### Kopf-Ständer Gewichtsausgleich

In Ausnahmefällen ist es notwendig die Federspannung des Universalständers zu justieren. Drehen Sie die Schraube **5** unterhalb der Kopfaufnahme, (im Uhrzeigersinn für weniger Gewicht oder entgegen für mehr Gewicht) sodass der Projektionskopf nicht selbstständig auf- oder abgleitet.

### Ergonomische Betrachtung

Eine ergonomische Körperhaltung ist die Voraussetzung, um Ermüdung und Verspannungen zu verhindern. Mantis bietet diese Voraussetzungen durch seine okularlose optische Technologie.

Um alle ergonomischen Vorzüge des Mantis Betrachtungssystems nutzen zu können, richten Sie Ihre Sitzposition so ein, dass Sie in aufrechter Körperhaltung komfortabel in den Projektionskopf blicken.



## Pflegehinweise

- ▶ Decken Sie das Gerät, falls nicht im Gebrauch, mit einer Staubschutzhülle ab.
- ▶ Entfernen Sie Staub mit einem weichen Tuch.
- ▶ Objektive sollten mit entsprechenden Linsenputztüchern gereinigt werden.
- ▶ Zubehör in staubfreier Umgebung, oder Behältern aufbewahren.

### Service

Service und Reparaturen werden durch die Vision Engineering Serviceabteilung durchgeführt.

## Garantie

Vision Engineering übernimmt für die gelieferte Ware eine einjährige Garantie auf Material und Fabrikation, beginnend mit dem Tag der Rechnungsstellung an den Käufer.

Sollte während der Garantiezeit ein Fehler auftreten, wird dieser nach freier Wahl von Vision Engineering im Herstellwerk oder an einem anderen geeigneten Ort beseitigt. Vision Engineering behält sich das Recht vor den Kaufpreis zurück zu erstatten, wenn eine Ersatzlieferung nicht möglich oder eine Reparatur auf kommerzieller Basis in angemessener Zeit nicht durchführbar ist. Teile, die nicht von Vision Engineering hergestellt sind unterliegen den Garantiebestimmungen des Fremdherstellers. Verschleißteile, wie z.B. Lampen oder Sicherungen sind von der Garantie ausgenommen.

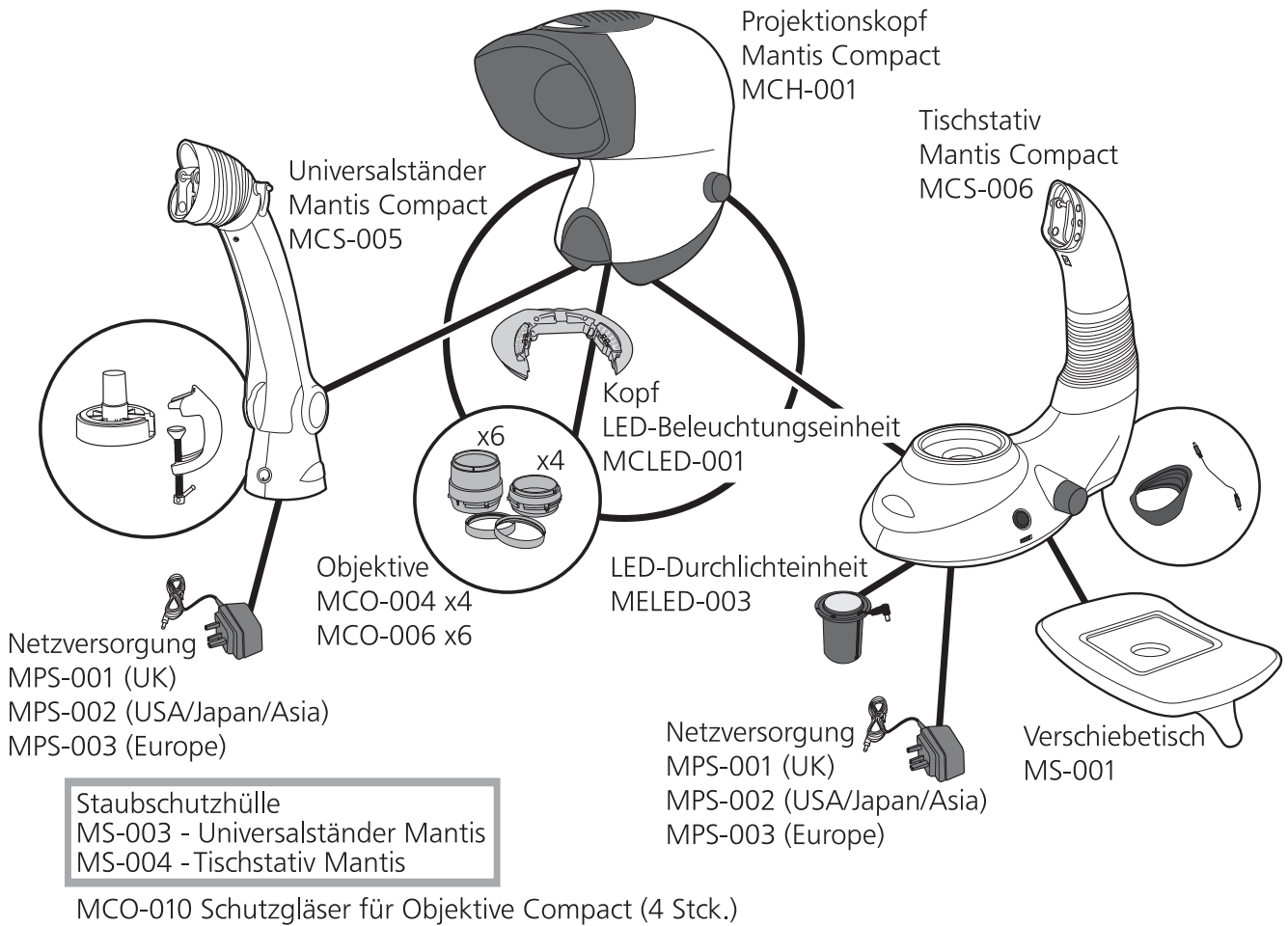
Von Vision Engineering wird keine Haftung übernommen für Transportschäden, Schäden die durch Missbrauch, Achtlosigkeit oder Nachlässigkeit entstehen, sowie für Schäden die durch unsachgemäße Wartung oder Veränderungen durch nicht von Vision Engineering autorisiertes Wartungspersonal entstehen. Ferner sind alle routinemäßigen Instandhaltungsarbeiten, beschrieben in der Bedienungsanleitung, sowie alle anderen geringfügigen, rechtmäßig zumutbaren Instandhaltungsarbeiten durch den Käufer, von der Garantie ausgenommen.

Vision Engineering übernimmt keine Verantwortung für fehlerhafte Funktionen der Geräte, die auf Umwelteinflüsse wie Feuchtigkeit, Staub, ätzende Chemikalien, Ablagerung von Öl oder anderen Fremdstoffen zurückzuführen sind und sich der Kontrolle von Vision Engineering entziehen.

Mit Ausnahme der beschriebenen Garantiebestimmungen, übernimmt Vision Engineering keine andere ausdrückliche oder implizierte gesetzliche Garantie, weder für Veräußerlichkeit oder Eignung für einen besonderen Zweck. Ferner ist Vision Engineering unter keinen Umständen haftpflichtig für eventuelle Folgeschäden oder andere unvorhersehbare Schäden am Produkt oder Personen.



# Produktfamilie Mantis Compact



## Technische Daten

Objektive		
Objektive	Arbeitsabstand	Bildausschnitt
x4	96mm	27,5mm
x6	73mm	19,2mm

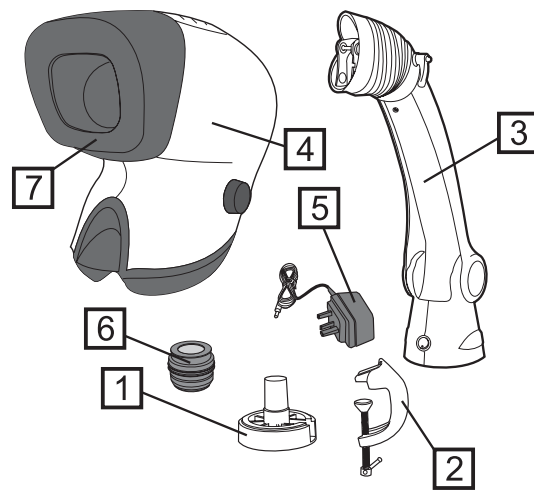
Beleuchtung		
Beleuchtungsstärke (LUX) gemessen auf der Objektebene mit farbkorrigiertem Filter.		
20 LEDs	9.400 LUX	10.000 Std.

Netzversorgung
Externes Steckernetzteil 9V DC

Zubehör
Schutzgläser für Objektive Verschiebetisch (für Tischstativ) Staubschutzhülle LED Ersatzeinheit

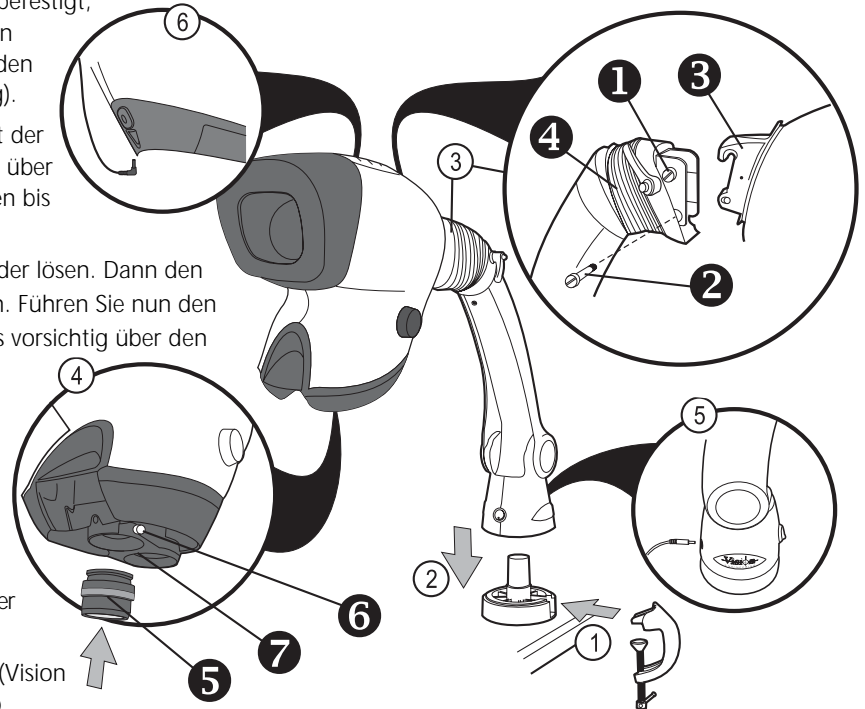
## Packungsinhalt

- ① Universalhalterung
- ② Montageklemme
- ③ Universal Schwenk-/Kippständer
- ④ Projektionskopf
- ⑤ Steckernetzteil
- ⑥ Objektiv
- ⑦ Blendschutz-Aufsatz



## Aufbauanleitung

- ① Die Universalhalterung wird am Arbeitstisch befestigt, entweder durch Klemmung der mitgelieferten Montageklemme, oder mit drei entsprechenden Schrauben (Schrauben nicht im Lieferumfang).
- ② Die Unterseite des Universalständers wird mit der Universalhalterung in Deckung gebracht und über den Führungsbolzen der Halterung geschoben bis der Ständer plan aufliegt.
- ③ Den oberen Haltebolzen ① im Universalständer lösen. Dann den darunter liegenden Haltebolzen ② entfernen. Führen Sie nun den Fixierhaken ③ des Mantis Projektionskopfes vorsichtig über den oberen Haltebolzen des Universalständers. Fixieren Sie nun den Projektionskopf am Universalständer durch Einschrauben des Haltbolzens ②, welcher durch die untere Bohrung der Mantis Kopfhalterung zu führen ist. Beide Haltebolzen festziehen und Gummischutz ④ des Universalständers am Befestigungssteg der Mantis Kopfhalterung überstülpen.
- ④ Objektiv ⑤ in die Objektivaufnahme führen (Vision Logo nach vorne) und durch die Schraube ⑥ fixieren. Falls erforderlich, weiteres Objektiv am Schnellwechsler ⑦ auf gleiche Weise anbringen.
- ⑤ Vergewissern Sie sich, dass Sie das passende Steckernetzteil mit entsprechender Netzspannung vorfinden. Netzteil anschließen und Klinkenstecker in die dafür vorgesehene Buchse am Universalständer fügen.
- ⑥ Verbinden Sie das Niederspannungskabel am Universalständer mit der Eingangsbuchse an der Rückseite des Projektionskopfes. **Verbinden Sie auf keinen Fall das Steckernetzteil direkt mit dem Projektionskopf.**



## Wartung

### Luftfeuchtigkeitskontrolle

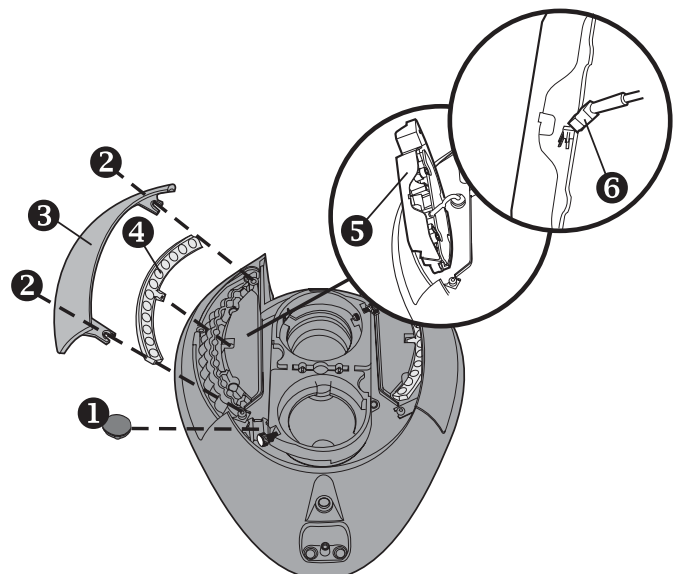
Der Projektionskopf ist mit einer Luftentfeuchtungspatrone ausgerüstet. Bei Verfärbung der Patrone, diese austauschen.

- ▶ Trennen Sie das Niederspannungskabel vom Projektionskopf.
- ▶ Abdeckkappe ① entfernen und darunter liegende Luftentfeuchtungspatrone herausnehmen.
- ▶ Patrone ersetzen und mit Abdeckkappe verschließen.

### LED-Beleuchtung

Der Ausbau der LED-Beleuchtungseinheiten ist beidseitig identisch.

- ▶ Trennen Sie das Niederspannungskabel vom Projektionskopf.
- ▶ Lösen beider Schrauben ② und Abnehmen der Abdeckung ③.
- ▶ LED-Einheit ⑤ vorsichtig herausheben und abklemmen der Steckverbindung ⑥. Austausch der gesamten Einheit inklusive Filter ④.
- ▶ Einbau der Austauschereinheit in umgekehrter Reihenfolge.



## Bedienung

### Betrachtung eines Objektes

Betätigen Sie den Netzschalter **1** und platzieren Sie das zu betrachtende Objekt unterhalb des Objektivs.

### Fokussierung

Der richtige Fokuspunkt wird frei Hand durch Auf-/Abbewegung des Objektes, oder bei aufgelegtem Objekt durch Heben und Senken des Projektionskopfes, gefunden.

Durch Lösen oder Festigen des Klemmhebels **2**, besteht die Möglichkeit den Universalständer in der Höhe zu arretieren.

### Justage des Augenabstandes

Über den Drehregler **3** wird die Optik auf den Augenabstand des Betrachters eingestellt, bis Sie ein optimales 3-dimensionales Stereobild erhalten.

**Anmerkung:** Die Justage des Augenabstandes ist entscheidend für komfortables Betrachten und muss von jedem Benutzer durchgeführt werden.

### Objektivwechsel

Um das Objektiv **4** zu wechseln, lösen Sie die Schraube **5** und führen das Objektiv nach unten.

Objektiv in mitgelieferter Dose aufbewahren.

Benötigtes Objektiv in die Objektivaufnahme führen und durch die Schraube fixieren. Falls erforderlich, weiteres Objektiv am Schnellwechsler **6** auf gleiche Weise anbringen.

### Kopf-Ständer Gewichtsausgleich

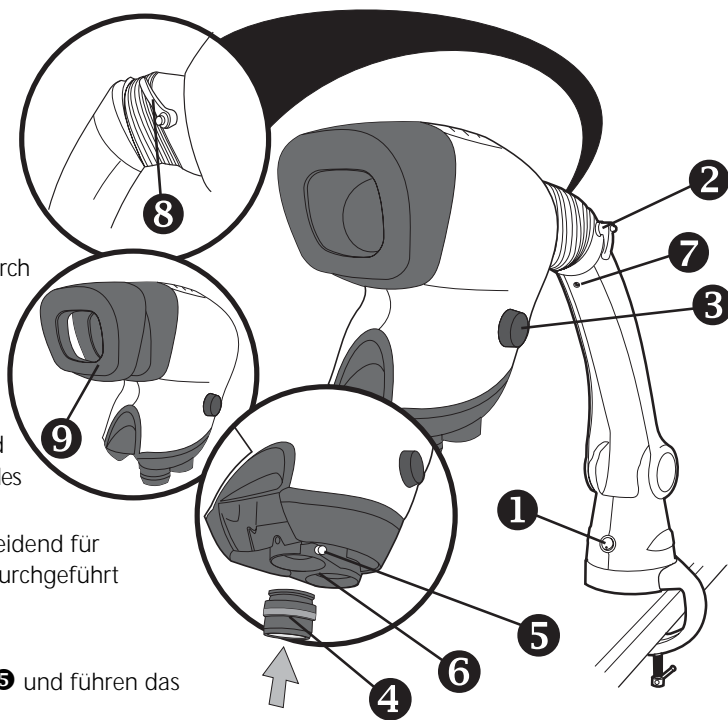
In Ausnahmefällen ist es notwendig die Federspannung des Universalständers zu justieren. Drehen Sie die Schraube **7** unterhalb der Kopfaufnahme, (im Uhrzeigersinn für weniger Gewicht oder entgegen für mehr Gewicht) sodass der Projektionskopf nicht selbstständig auf- oder abgleitet.

### Kopf-Neigung Justage (optional)

Durch Lösen des Klemmhebels **8**, kann der Projektionskopf vertikal gekippt werden. Nach Einstellung der Neigung Klemmhebel arretieren.

### Blendschutz-Aufsatz

Ein Blendschutz-Aufsatz **9** kann zur Abschirmung starker Umgebungsbeleuchtung am Projektionskopf auf- oder abgesetzt werden.



## Pflegehinweise

- ▶ Decken Sie das Gerät, falls nicht im Gebrauch, mit einer Staubschutzhülle ab.
- ▶ Entfernen Sie Staub mit einem weichen Tuch.
- ▶ Objektive sollten mit entsprechenden Linsenputztüchern gereinigt werden.
- ▶ Zubehör in staubfreier Umgebung, oder Behältern aufbewahren.

### Service

Service und Reparaturen werden durch die Vision Engineering Serviceabteilung durchgeführt.

## Garantie

Vision Engineering übernimmt für die gelieferte Ware eine einjährige Garantie auf Material und Fabrikation, beginnend mit dem Tag der Rechnungsstellung an den Käufer.

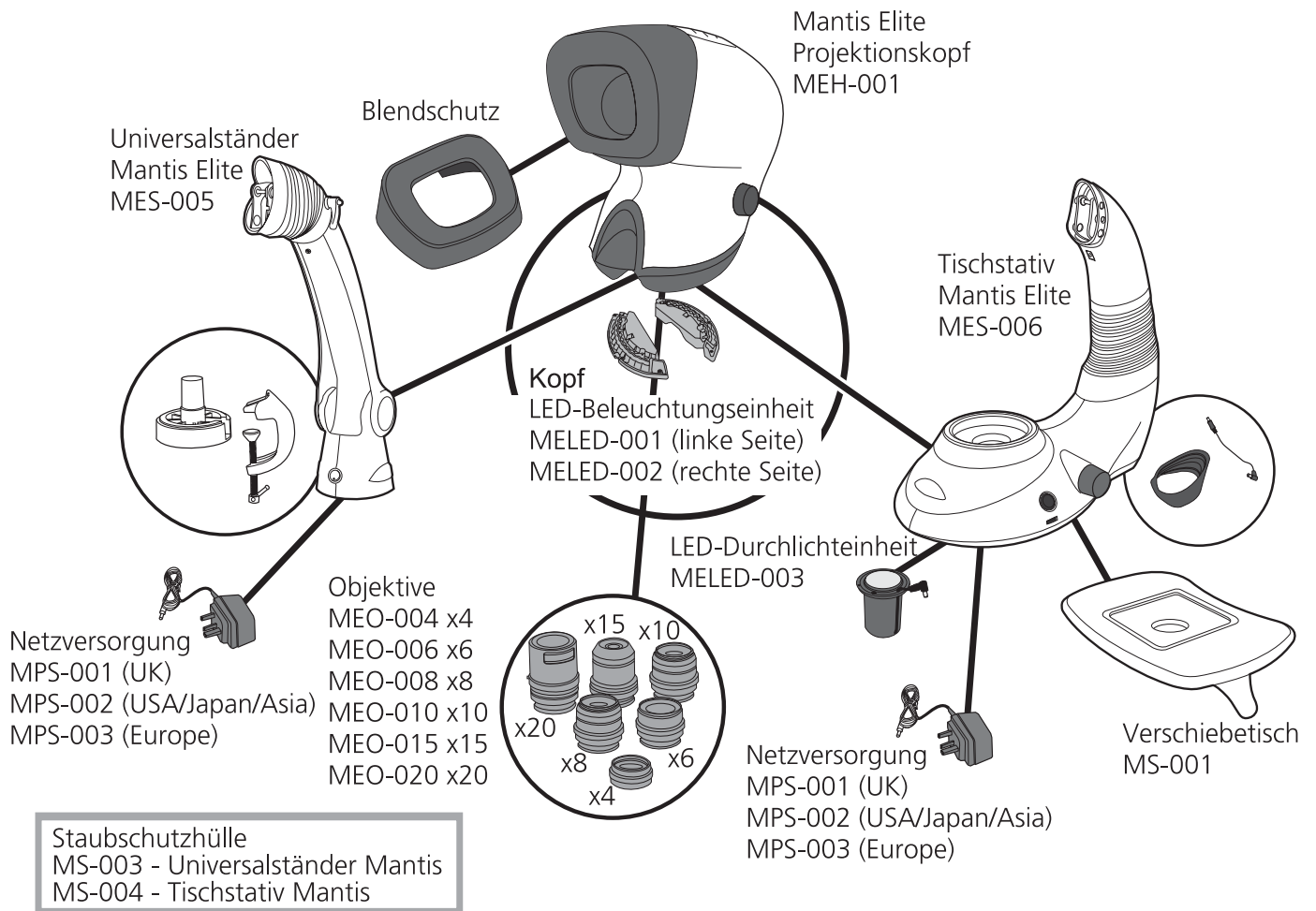
Sollte während der Garantiezeit ein Fehler auftreten, wird dieser nach freier Wahl von Vision Engineering im Herstellwerk oder an einem anderen geeigneten Ort beseitigt. Vision Engineering behält sich das Recht vor den Kaufpreis zurück zu erstatten, wenn eine Ersatzlieferung nicht möglich oder eine Reparatur auf kommerzieller Basis in angemessener Zeit nicht durchführbar ist. Teile, die nicht von Vision Engineering hergestellt sind unterliegen den Garantiebestimmungen des Fremdherstellers. Verschleißteile, wie z.B. Lampen oder Sicherungen sind von der Garantie ausgenommen.

Von Vision Engineering wird keine Haftung übernommen für Transportschäden, Schäden die durch Missbrauch, Achtlosigkeit oder Nachlässigkeit entstehen, sowie für Schäden die durch unsachgemäße Wartung oder Veränderungen durch nicht von Vision Engineering autorisiertes Wartungspersonal entstehen. Ferner sind alle routinemäßigen Instandhaltungsarbeiten, beschrieben in der Bedienungsanleitung, sowie alle anderen geringfügigen, rechtmäßig zumutbaren Instandhaltungsarbeiten durch den Käufer, von der Garantie ausgenommen.

Vision Engineering übernimmt keine Verantwortung für fehlerhafte Funktionen der Geräte, die auf Umwelteinflüsse wie Feuchtigkeit, Staub, ätzende Chemikalien, Ablagerung von Öl oder anderen Fremdstoffen zurückzuführen sind und sich der Kontrolle von Vision Engineering entziehen.

Mit Ausnahme der beschriebenen Garantiebestimmungen, übernimmt Vision Engineering keine andere ausdrückliche oder implizierte gesetzliche Garantie, weder für Verkäuflichkeit oder Eignung für einen besonderen Zweck. Ferner ist Vision Engineering unter keinen Umständen haftpflichtig für eventuelle Folgeschäden oder andere unvorhersehbare Schäden am Produkt oder Personen.

# Produktfamilie Mantis Elite



MEO-025 Schutzgläser für Objektive Elite x4, x8, x10 (4 Stck.)  
 MEO-026 Schutzgläser für Objektiv Elite x6 (4 Stck.)

## Technische Daten

Objektive		
Objektive	Arbeitsabstand	Bildausschnitt
x4	96mm	34,0mm
x6	68mm	23,0mm
x8	59mm	17,0mm
x10	54mm	13,5mm
x15	40mm	8,8mm
x20	29mm	6,5mm

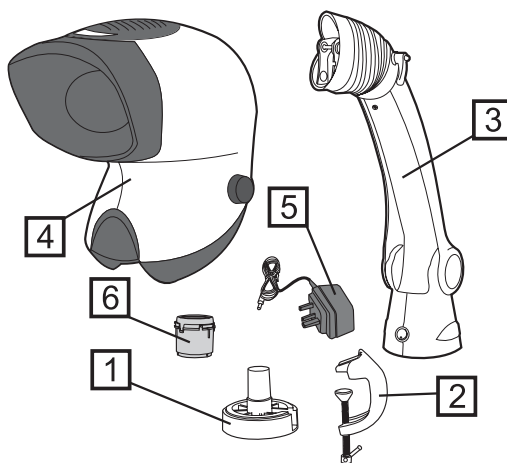
Netzversorgung
Externes Steckernetzteil 9V DC

Zubehör
Schutzgläser für Objektive Verschiebetisch (für Tischstativ) Staubschutzhülle LED Ersatzeinheit

Beleuchtung		
Beleuchtungsstärke (LUX) gemessen auf der Objektebene mit farbkorrigiertem Filter.		
24 LEDs	11.000 LUX	10.000 Std.

## Contenuto confezione

- ❶ Base universal
- ❷ Morsetto a G
- ❸ Stativo Universal
- ❹ Testa
- ❺ Alimentatore esterno
- ❻ Obiettivo



## Assemblaggio

- ❶ Fissare la base universal al banco di lavoro usando il morsetto a G oppure utilizzando viti appropriate da posizionare nei fori della base.

- ❷ Posizionare lo Stativo Universal sulla parte alta della base universal quindi inserirlo sul perno fino in fondo.

- ❸ Allentare il perno di fissaggio superiore ❶ nello Stativo Universal. Rimuovere il perno di fissaggio inferiore ❷.

Posizionare con cura il gancio di fermo della testa ❸ sul perno di fissaggio superiore dello Stativo Universal.

Riposizionare il perno di fissaggio inferiore ❷, assicurandosi che il perno attraversi il foro inferiore di fissaggio nella Testa Mantis.

Stringere il perno di fissaggio superiore ed inferiore, quindi riposizionare la guaina in gomma dello Stativo Universal ❹.

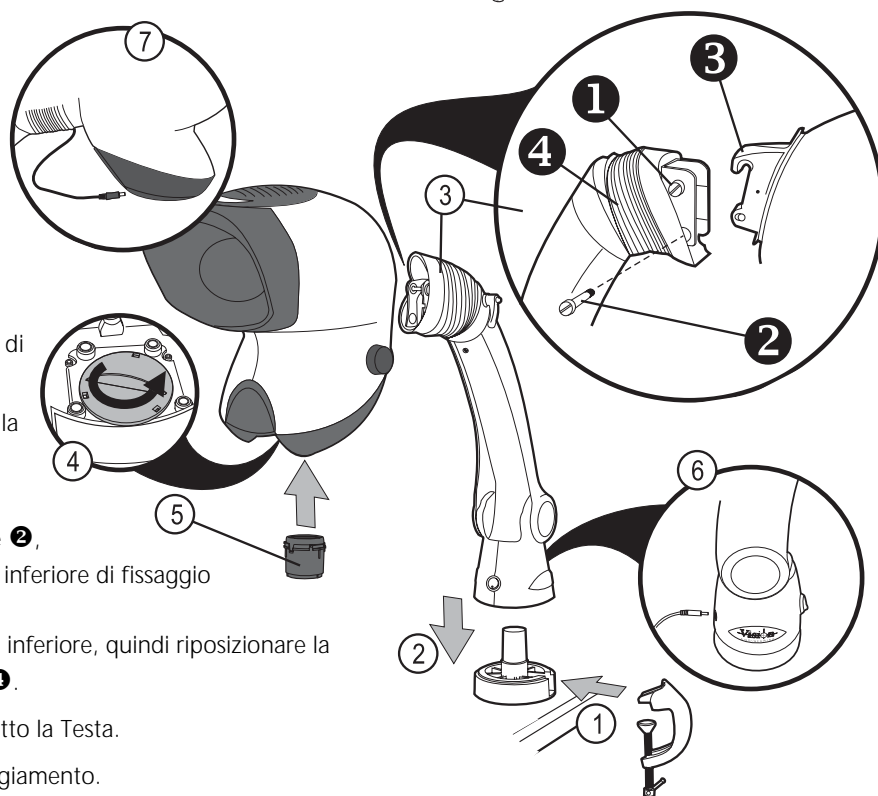
- ❹ Rimuovere il tappo provvisorio rosso da sotto la Testa.

- ❺ Inserire e bloccare l'obiettivo nel suo alloggiamento.

- ❻ Assicurarsi che l'alimentatore corrisponda alla vostra tensione elettrica, collegare l'alimentatore ad un'adeguata presa di corrente ed il suo connettore alla base dello Stativo Universal.

- ❼ Collegare il connettore per l'alimentazione sulla cima dello Stativo Universal al retro della Testa.

**Non tentare di collegare l'alimentatore direttamente alla testa.**



## Manutenzione ordinaria

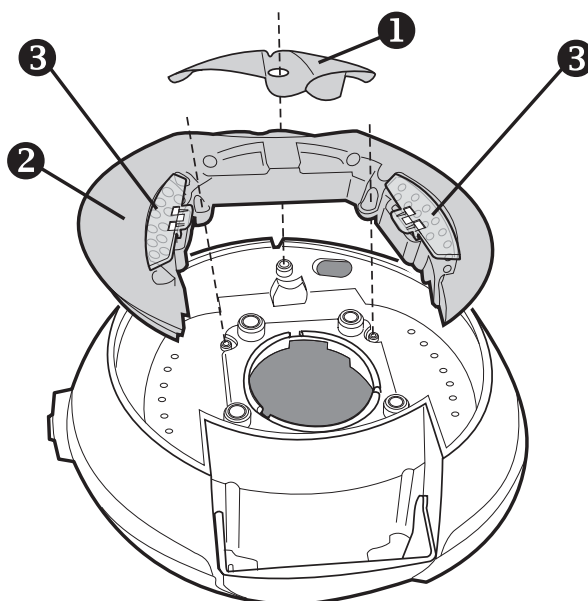
### Sostituzione Essiccante

L'essiccante rimuove l'eccesso d'umidità dalla testa ottica.

- ▶ Scollegare l'alimentazione dalla base della Testa.
- ▶ Rimuovere la vite che blocca il coperchio dell'essiccante ❶ e sollevarlo per rimuoverlo.
- ▶ Sostituire l'essiccante.

### Blocco LED

- ▶ Rimuovere il coperchio dell'essiccante ❶.
- ▶ Rimuovere le due viti a stella che fermano il blocco LED ❷ e rimuovere il blocco completo di filtri ❸.
- ▶ Per riassemblare l'unità eseguire questa procedura al contrario.



## Funzionamento

### Veduta generale

Accendere l'interruttore **1** e posizionare il soggetto sotto la Testa Mantis.

### Messa a Fuoco

Lo scopo dello Stativo Universal è regolare l'altezza dello strumento in una posizione di osservazione confortevole e quindi sollevare il soggetto (in genere manualmente) per effettuare la messa a fuoco, mantenendo così l'ergonomia ottimale.

Per regolare l'altezza dello strumento, assicurarsi che la leva per la regolazione **2** sia allentata quindi alzare o abbassare la Testa fino al raggiungimento della posizione di ispezione richiesta e stringere nuovamente la leva per la regolazione.

### Distanza interpupillare

Sistemare il dispositivo di regolazione della distanza interpupillare **3** per ottenere una visione stereo confortevole.

**Nota:** Regolare la distanza interpupillare è molto importante per avere una buona visione e deve essere regolata per ogni utilizzatore del Mantis.

### Sostituzione Obiettivo

Per cambiare obiettivo, svitarlo e rimuoverlo **4**. Riporre la lente nell'apposito contenitore fornito. Inserire ed avvitare l'obiettivo nel suo alloggiamento.

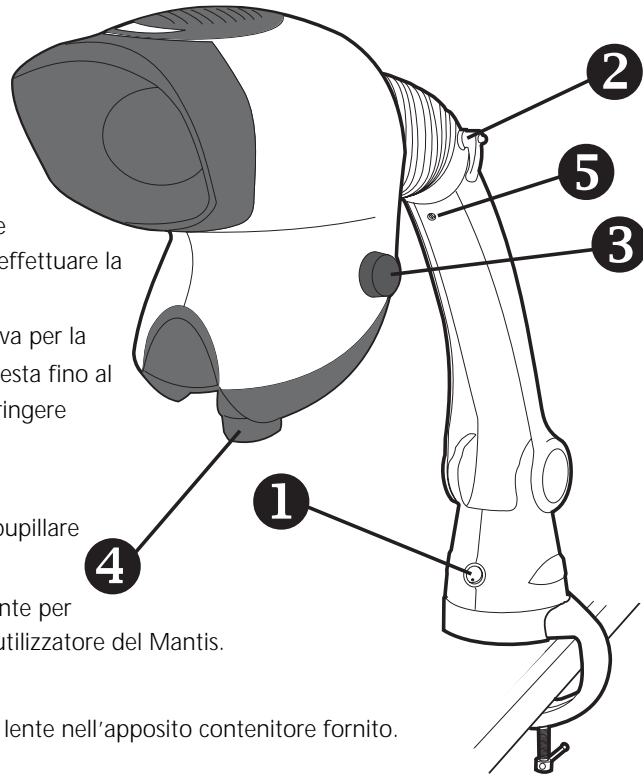
### Pre caricamento della Testa

Quando viene sostituito l'obiettivo, può essere necessario regolare il pre carico della Testa. Regolare la vite di pre carico **5** (in senso orario per le lenti più leggere o in senso anti-orario per quelle più pesanti) fino a che la Testa non si sposti lentamente verso l'alto e verso il basso, se non sostenuta.

### Visione ergonomica

Una posizione ergonomica garantirà all'utilizzatore di sfruttare a pieno i benefici forniti dalla tecnologia ottica del Mantis. Nell'installare il vostro Mantis, predisponete prima l'area di lavoro, ponendo particolare attenzione all'altezza della sedia e del tavolo.

Stando seduti con la schiena eretta i vostri occhi devono essere comodamente allineati con la Testa Mantis. L'avambraccio deve poggiare sul piano di lavoro.



## Cura Generale

- ▶ Quando non utilizzato, coprire il Mantis con la copertina anti-polvere.
- ▶ Rimuovere la polvere con un pennello morbido o un panno.
- ▶ Le lenti Mantis possono essere pulite con un apposito panno pulisci lenti.
- ▶ Quando non utilizzati, tenere gli accessori in un ambiente privo di polvere.

### Assistenza

Assistenza e riparazioni devono essere eseguite esclusivamente da personale tecnico autorizzato da Vision Engineering.

## Garanzia

Questo prodotto è garantito da eventuali difetti di materiali o fabbricazione per un anno dalla data di acquisto.

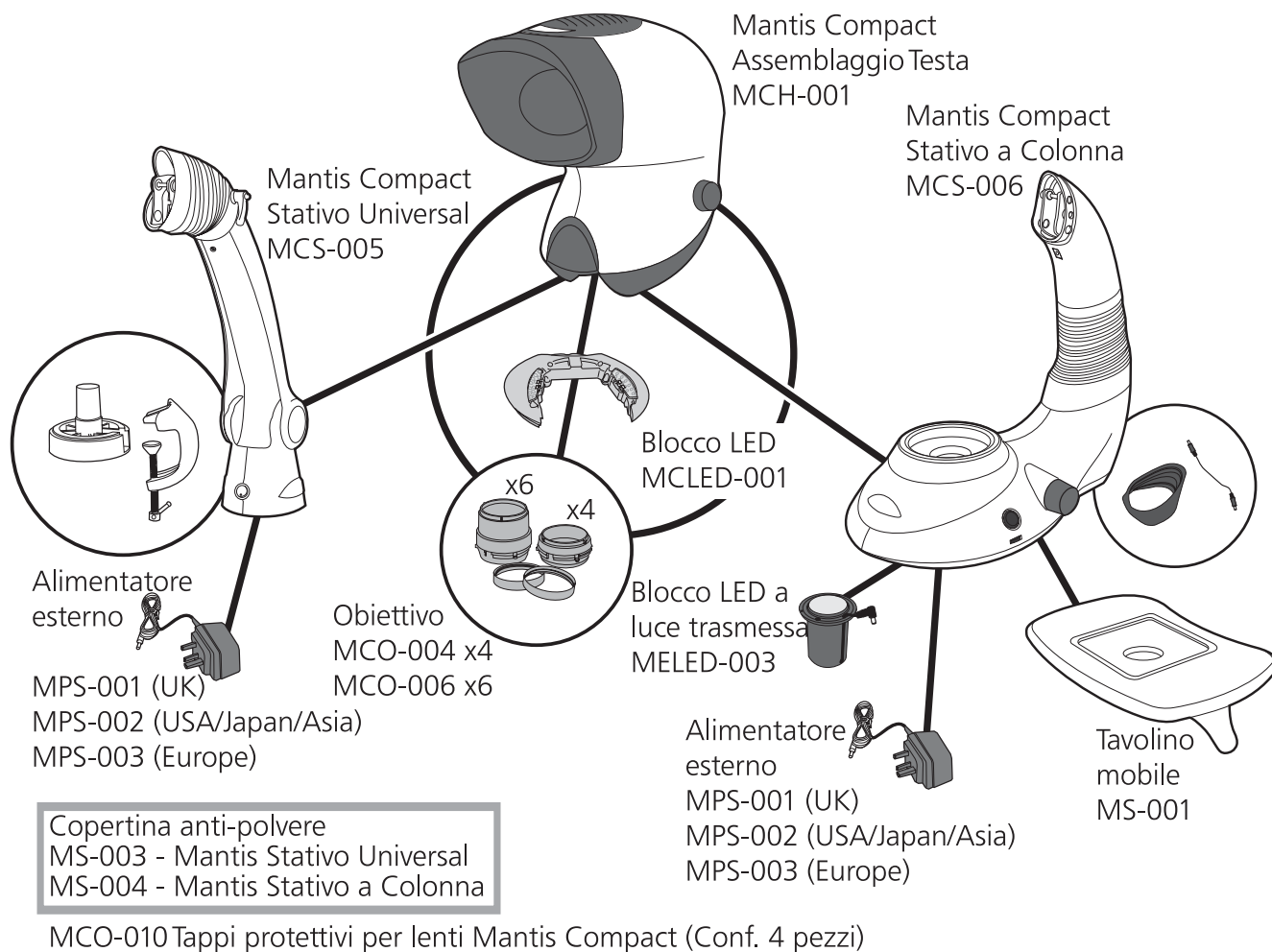
Se, durante il periodo di garanzia, il prodotto dovesse risultare difettoso, verrà riparato o sostituito nei laboratori Vision Engineering altrove, a discrezione di Vision Engineering. In ogni caso, Vision Engineering si riserva il diritto di rimborsare il costo dell'acquisto se non sarà in grado di sostituirlo, se la riparazione non dovesse risultare fattibile per motivi commerciali o se il prodotto non fosse riparabile in modo tempestivo. I particolari non prodotti da Vision Engineering sono coperti soltanto dalla garanzia della casa produttrice. I particolari di consumo (come lampade e fusibili) non sono coperti da garanzia.

La garanzia non copre i danni provocati dal trasporto, da un uso improprio o errato, da negligenza, da danni causati da modifiche o interventi effettuati da personale addetto all'assistenza non autorizzato da Vision Engineering. Inoltre, la presente garanzia non copre la manutenzione di routine descritta nel manuale d'uso né interventi di manutenzione che sono abitualmente compito dell'acquirente.

Vision Engineering declina ogni responsabilità in caso di danni riconducibili a condizioni ambientali quali umidità, polvere, prodotti chimici corrosivi, deposito di olii o altre sostanze estranee, perdite o altre condizioni che esulano dal controllo di Vision Engineering.

Salvo che nei casi summenzionati, Vision Engineering non rilascia altre garanzie, espresse o implicite per legge, riguardo a rivendita, idoneità a particolari utilizzi o altro. Inoltre, Vision Engineering declina ogni responsabilità per danni accidentali, incidentali o altro.

# Mantis Compact – Gruppo Prodotto



## Dati Tecnici

Obiettivi		
Obiettivi	Distanza di lavoro	Campo visivo
x4	96mm	27,5mm
x6	73mm	19,2mm

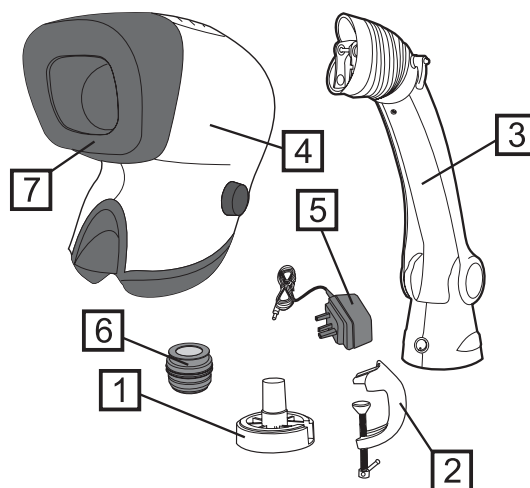
Informazioni illuminazione		
Intensità in lux misurata su soggetto piano con filtri di correzione del colore		
20 LEDs	9.400 LUX	10.000 ore

Tensione elettrica
Alimentatore esterno 9V DC

Accessori
Tappi proteggi lente Tavolino mobile (per stativo a colonna) Copertina anti-polvere Blocco LED di ricambio

## Contenuto confezione

- ❶ Base universal
- ❷ Morsetto a G
- ❸ Stativo Universal
- ❹ Testa
- ❺ Alimentatore esterno
- ❻ Obiettivo
- ❼ Paraluce anti riflesso



## Assemblaggio

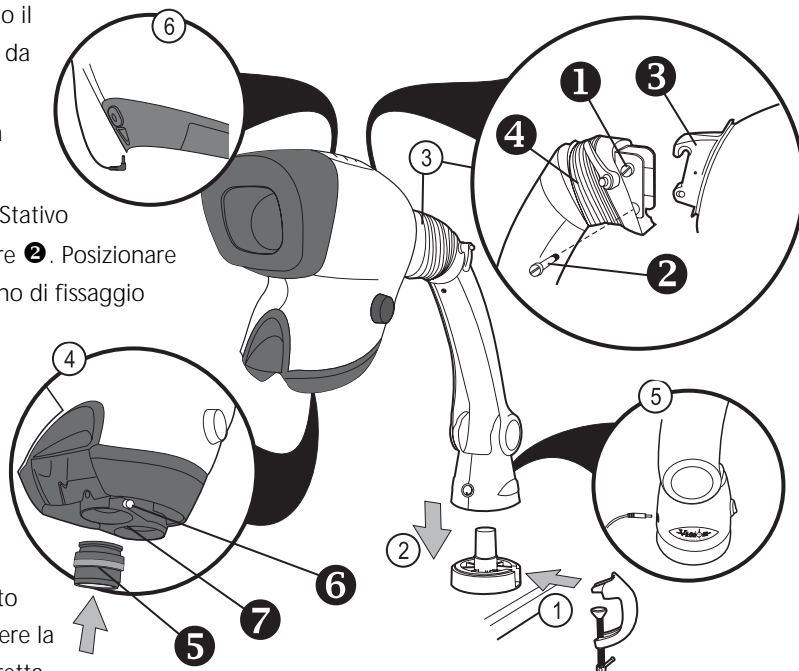
- ❶ Fissare la base universal al banco di lavoro usando il morsetto a G oppure utilizzando viti appropriate da posizionare nei fori della base.
- ❷ Posizionare lo Stativo Universal sulla parte alta della base universal. Inserirlo sul perno fino in fondo.
- ❸ Allentare il perno di fissaggio superiore ❶ nello Stativo Universal. Rimuovere il perno di fissaggio inferiore ❷. Posizionare con cura il gancio di fermo della testa ❸ sul perno di fissaggio superiore dello Stativo Universal.

Riposizionare il perno di fissaggio inferiore, assicurandosi che il perno attraversi il foro inferiore di fissaggio nella Testa Mantis.

Stringere il perno di fissaggio superiore ed inferiore, quindi riposizionare la guaina in gomma dello Stativo Universal ❹.

- ❹ Inserire l'obiettivo scelto ❺ nel suo alloggiamento (assicurarsi che il logo Vision sia davanti) e stringere la vite di sicurezza ❻. Se necessario, ruotare la torretta porta obiettivi ❼ ed inserire un altro obiettivo seguendo la stessa procedura.
- ❺ Assicurarsi che l'alimentatore corrisponda alla vostra tensione elettrica, collegare l'alimentatore ad un'adeguata presa di corrente ed il suo connettore alla base dello Stativo Universal.
- ❻ Collegare il connettore per l'alimentazione sulla cima dello Stativo Universal al retro della Testa.

**Non tentare di collegare l'alimentatore direttamente alla testa.**



## Manutenzione ordinaria

### Sostituzione Essiccante

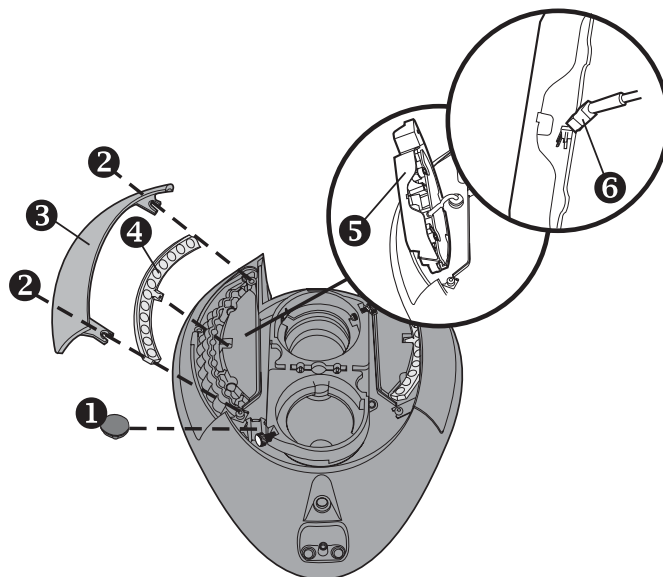
L'essiccante rimuove l'eccesso d'umidità dalla testa ottica.

- ▶ Scollegare l'alimentazione dalla base della Testa.
- ▶ Rimuovere il tappo in gomma ❶ che copre l'essiccante e rimuovere l'essiccante.

### Blocco LED

La procedura per rimuovere il Blocco LED è identica per entrambi i lati.

- ▶ Scollegare l'alimentazione dalla base della Testa.
- ▶ Allentare le due viti ❷ che fermano il coperchio dei filtri/blocco ❸ e rimuovere il coperchio.
- ▶ Togliere il Blocco LED ❹ e girarlo su se stesso. Scollegare i connettori del Blocco ❺ e rimuovere il Blocco LED completo dei filtri ❻.
- ▶ Per riassemblare l'unità eseguire questa procedura al contrario.





## Funzionamento

### Veduta generale

Accendere l'interruttore **1** e posizionare il soggetto sotto la Testa Mantis.

### Messa a Fuoco

Assicurarsi che la leva per la regolazione **2** sia allentata quindi alzare o abbassare la Testa fino al raggiungimento della messa a fuoco., quindi stringere nuovamente la leva per la regolazione.

### Distanza interpupillare

Sistemare il dispositivo di regolazione della distanza interpupillare **3** per ottenere una visione stereo confortevole.

**Nota:** Regolare la distanza interpupillare è molto importante per avere una buona visione e deve essere regolata per ogni utilizzatore del Mantis.

### Sostituzione Obiettivo

Per cambiare uno degli obiettivi **4**, allentare la vite di fermo dell'obiettivo **5** e rimuoverlo. Riporre la lente nell'apposito contenitore fornito.

Inserire l'obiettivo scelto nel suo alloggiamento e stringere la vite di fermo.

In alternativa, ruotare la torretta porta obiettivi **6** per lavorare con il secondo obiettivo montato.

### Pre caricamento della Testa

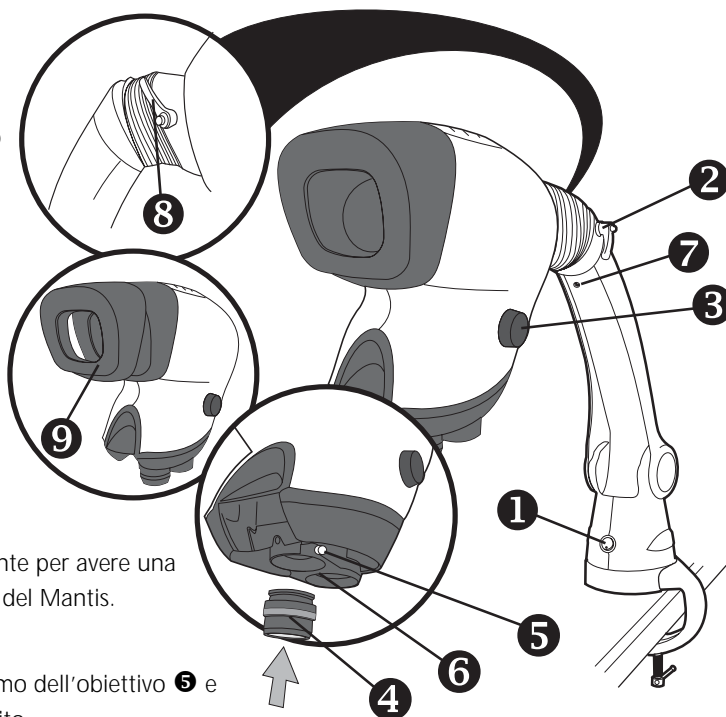
Quando viene sostituito l'obiettivo, può essere necessario regolare il pre carico della Testa. Regolare la vite di pre carico **7** (in senso orario per le lenti più leggere o in senso anti-orario per quelle più pesanti) fino a che la Testa non si sposti lentamente verso l'alto e verso il basso, se non sostenuta.

### Regolazione inclinazione Testa (Opzionale)

Allentare la leva per la regolazione dell'inclinazione **8**, alzare o abbassare la Testa per raggiungere la posizione desiderata, quindi stringere la leva di regolazione.

### Rimozione Paraluce

Con alcune condizioni di luce si può migliorare l'osservazione rimuovendo il paraluce anti riflesso **9**.



## Cura Generale

- ▶ Quando non utilizzato, coprire il Mantis con la copertina anti-polvere.
- ▶ Rimuovere la polvere con un pennello morbido o un panno
- ▶ Le lenti e lo schermo Mantis possono essere puliti con un apposito panno pulisci lenti
- ▶ Quando non utilizzati, tenere gli accessori in un ambiente privo di polvere.

### Assistenza

Assistenza e riparazioni devono essere eseguite esclusivamente da personale tecnico autorizzato da Vision Engineering.

## Garanzia

Questo prodotto è garantito da eventuali difetti di materiali o fabbricazione per un anno dalla data di acquisto.

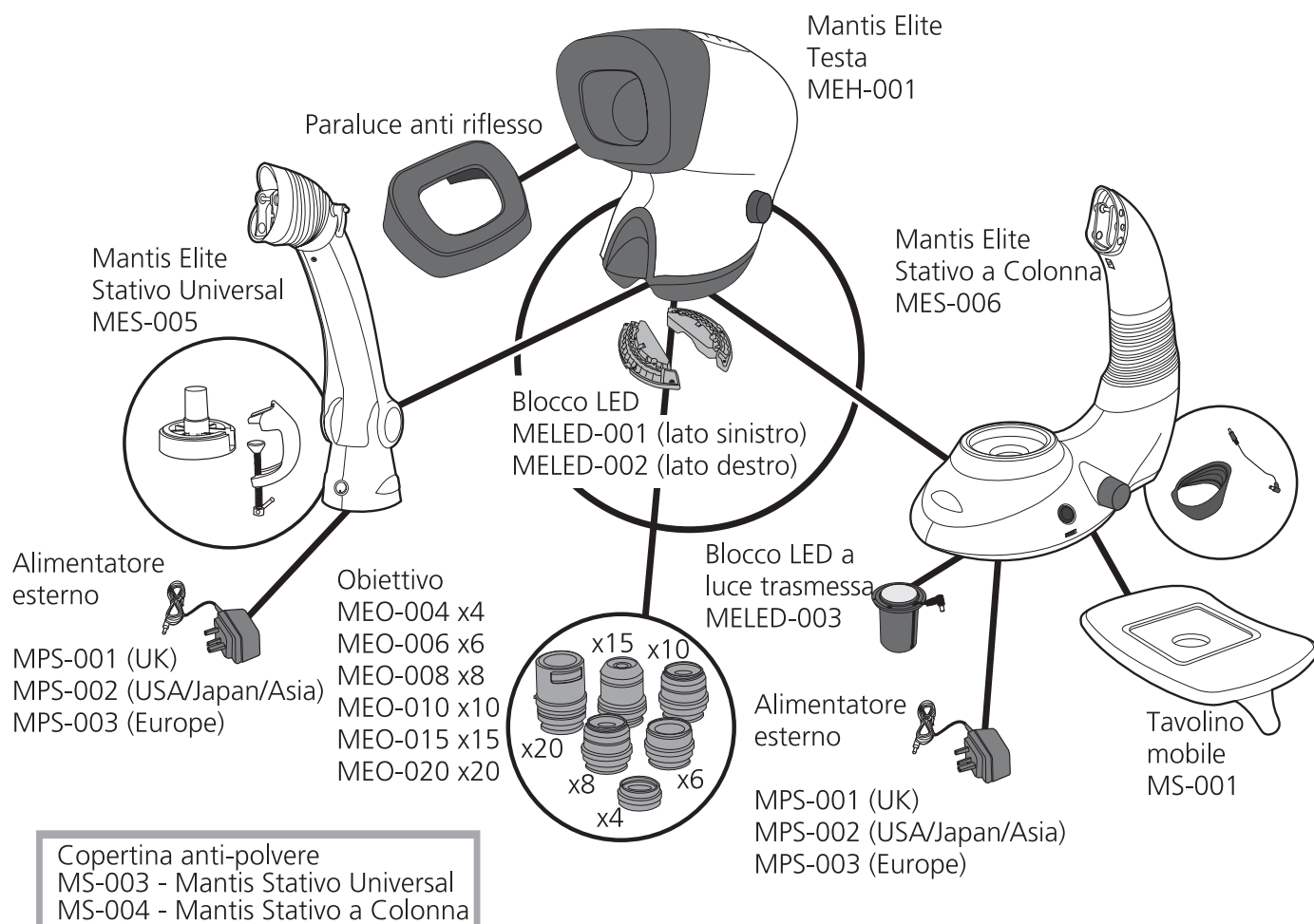
Se, durante il periodo di garanzia, il prodotto dovesse risultare difettoso, verrà riparato o sostituito nei laboratori Vision Engineering altrove, a discrezione di Vision Engineering. In ogni caso, Vision Engineering si riserva il diritto di rimborsare il costo dell'acquisto se non sarà in grado di sostituirlo, se la riparazione non dovesse risultare fattibile per motivi commerciali o se il prodotto non fosse riparabile in modo tempestivo. I particolari non prodotti da Vision Engineering sono coperti soltanto dalla garanzia della casa produttrice. I particolari di consumo (come lampade e fusibili) non sono coperti da garanzia.

La garanzia non copre i danni provocati dal trasporto, da un uso improprio o errato, da negligenza, da danni causati da modifiche o interventi effettuati da personale addetto all'assistenza non autorizzato da Vision Engineering. Inoltre, la presente garanzia non copre la manutenzione di routine descritta nel manuale d'uso né interventi di manutenzione che sono abitualmente compito dell'acquirente.

Vision Engineering declina ogni responsabilità in caso di danni riconducibili a condizioni ambientali quali umidità, polvere, prodotti chimici corrosivi, deposito di olii o altre sostanze estranee, perdite o altre condizioni che esulano dal controllo di Vision Engineering.

Salvo che nei casi summenzionati, Vision Engineering non rilascia altre garanzie, espresse o implicite per legge, riguardo a rivendita, idoneità a particolari utilizzi o altro. Inoltre, Vision Engineering declina ogni responsabilità per danni accidentali, incidentali o altro.

## Mantis Elite – Gruppo Prodotto



MEO-025 Tappi protettivi per lenti 4x, 8x, 10x - Mantis Elite (Conf. 4 pezzi)  
MEO-026 Tappi protettivi per lenti 6x - Mantis Elite (Conf. 4 pezzi)

## Dati Tecnici

Obiettivi		
Obiettivi	Distanza di lavoro	Campo visivo
x4	96mm	34,0mm
x6	68mm	23,0mm
x8	59mm	17,0mm
x10	54mm	13,5mm
x15	40mm	8,8mm
x20	29mm	6,5mm

Informazioni illuminazione		
Intensità in lux misurata su soggetto piano con filtri di correzione del colore		
24 LEDs	11.000 LUX	10.000 ore

## Tensione elettrica

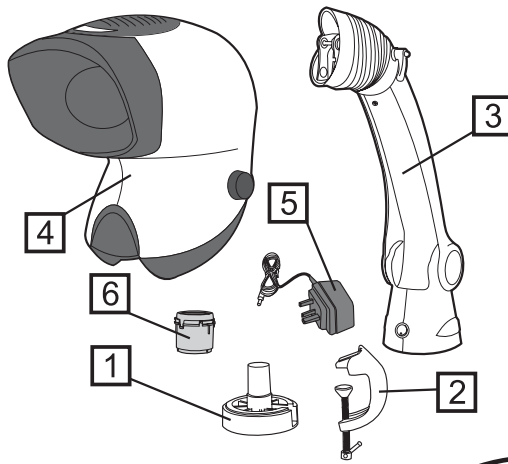
Alimentatore esterno 9V DC

## Accessori

Tappi proteggi lente  
Tavolino mobile (per stativo a colonna)  
Copertina anti-polvere  
Blocco LED di ricambio

## Contenidos

- ① Acoplamiento universal
- ② Abrazadera G
- ③ Soporte con plataforma de contrapesado
- ④ Cabezal de visión
- ⑤ Cargador
- ⑥ Lente Objetivo



## Montaje

① Fijar el acoplamiento universal a la superficie de trabajo mediante la abrazadera tipo G-clamp o mediante los tornillos apropiados en los agujeros de la base.

② Coloque el brazo universal en la parte superior del acoplamiento universal y deslícelo por la barra hasta que encaje correctamente.

③ Suelte el tornillo superior ① del brazo universal y extraiga el tornillo inferior ②. Coloque con cuidado el gancho del cabezal de la Mantis ③ sobre el tornillo superior del brazo universal.

Reemplace el tornillo inferior ②, asegurándose de que el tornillo pase por la parte inferior del cabezal Mantis.

Apriete los tornillos superior e inferior y vuelva a colocar el fuelle de goma del brazo universal ④.

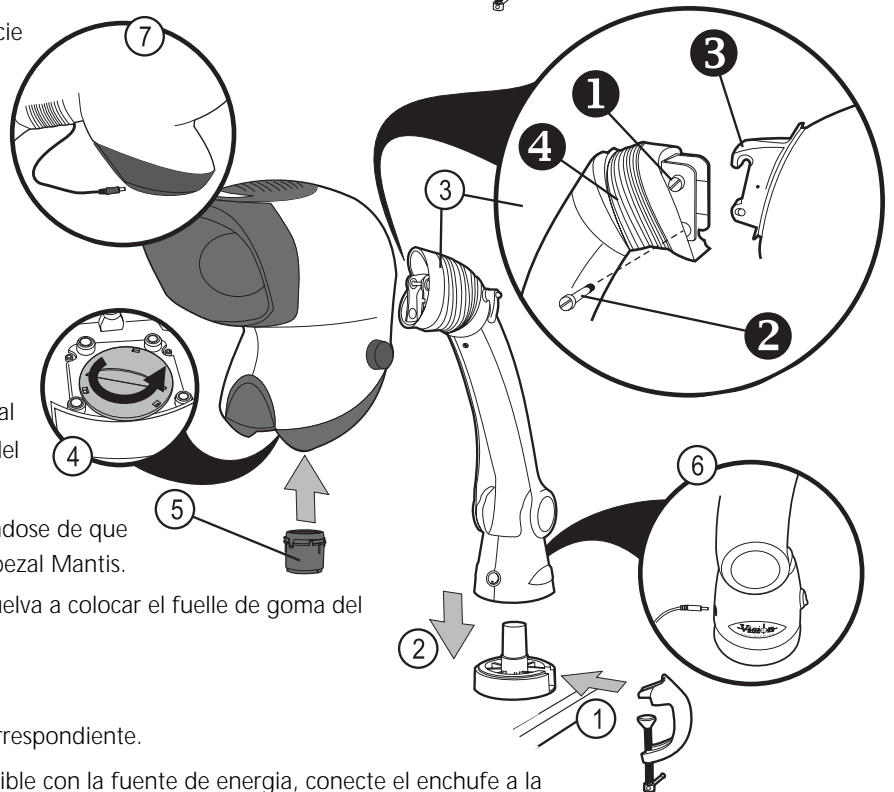
④ Retire el enchufe rojo debajo del cabezal.

⑤ Coloque el objetivo elegido en el lugar correspondiente.

⑥ Asegúrese de que el adaptador es compatible con la fuente de energía, conecte el enchufe a la fuente y al brazo universal.

⑦ Conecte el cable de la parte superior del brazo universal a la parte trasera del cabezal.

**No intente conectar la fuente de alimentación directamente al Cabezal de visión.**



## Mantenimiento rutinario

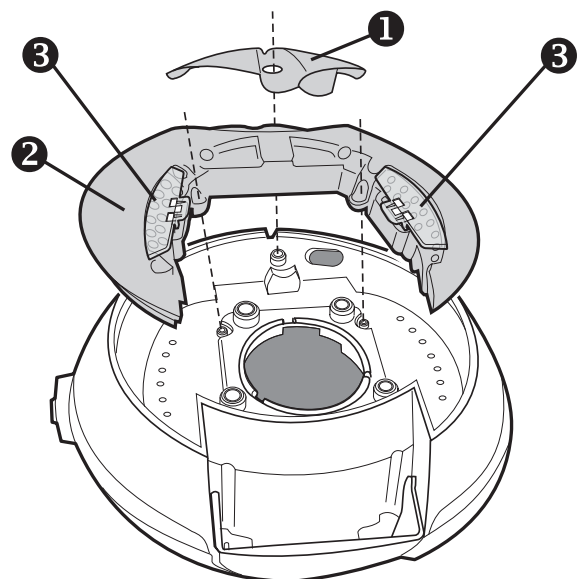
### Cambio de desecante

El desecante previene del exceso de humedad en el cabezal óptico.

- ▶ Desconecte la fuente de energía desde el interruptor del cabezal.
- ▶ Suelte los tornillos de seguridad de la funda del desecante ① y quite la funda.
- ▶ Cambie el cartucho desecante.

### Batería de leds

- ▶ Sáquelo del envoltorio ①.
- ▶ Suelte los tornillos de seguridad que protegen la batería de leds ② y saque el juego completo con los filtros ③.
- ▶ Para volver a montarla, proceda en modo inverso a este proceso.



## Operación

### Generalidades

Conecte el interruptor principal **1** y coloque el objeto debajo del Cabezal de visión Mantis.

### Enfoque

El objetivo de la base universal es conseguir una altura cómoda para la utilización del instrumento y la posibilidad de elevar el objeto (habitualmente con la mano) para el enfoque. Este hecho optimiza la ergonomía.

Para ajustar la altura del instrumento, asegúrese de que el enganche de seguridad **2** está suelto, a continuación mueva el cabezal hacia arriba o hacia abajo hasta alcanzar la posición óptima y vuelva a apretar el enganche.

### Distancia interpupilar

Ajuste la distancia interpupilar o entre ojos **3** para obtener una posición cómoda de trabajo.

**Aviso:** Este ajuste es muy importante para poder trabajar con comodidad y debe ser modificado para cada usuario de la Mantis.

### Cambio de la lente

Para cambiar la lente, gire y saque la lente **4**. Guardar la lente en su estuche original.

Colocar la lente elegida en el objetivo.

### Contrapeso del cabezal

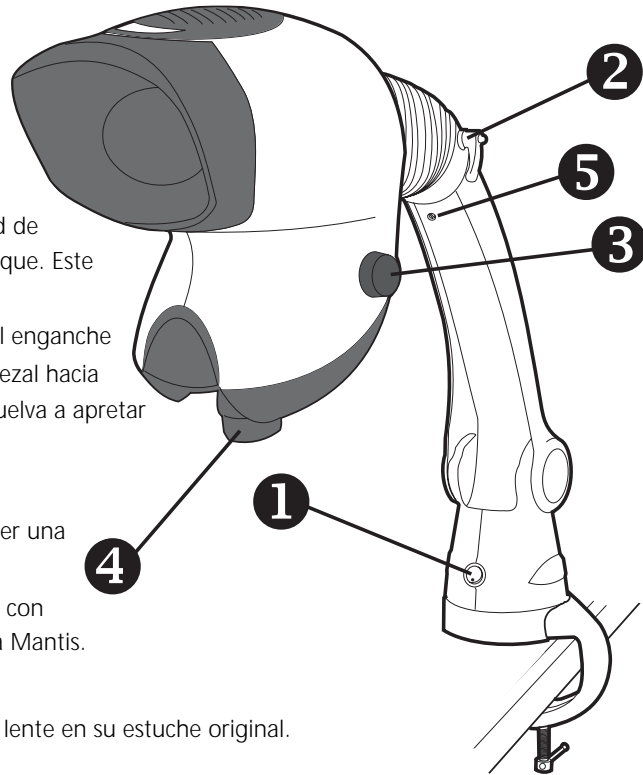
Al efectuar el cambio de una lente, puede ser necesario contrapesar el balanceo del cabezal. Ajuste el tornillo del balanceo **5** (en el sentido de las agujas del reloj para lentes ligeras y en el sentido contrario para las más pesadas) hasta que el cabezal no suba ni baje.

### Visión Ergonómica

Una postura ergonómica ofrecerá al usuario beneficiarse de todas las ventajas que ofrece la tecnología óptica de Mantis.

A la hora de colocar su Mantis, lo primero es elegir el lugar de trabajo, teniendo en cuenta la altura de la silla y la mesa.

Cuando esté sentado con la espalda recta, sus ojos deberían estar a la altura del cabezal Mantis. Los antebrazos deberían apoyarse en la superficie de trabajo.



## Cuidados generales

- ▶ Cuando no lo esté utilizando, cubra su mantis con la funda protectora.
- ▶ Quite el polvo con un cepillo suave o un paño.
- ▶ Las lentes de Mantis deben limpiarse con un paño para limpiar lentes.
- ▶ Mantenga los accesorios en fundas protectoras del polvo cuando no los esté utilizando.

### Servicio

El servicio y la reparación de Mantis solo podrá realizarse por personal autorizado por Vision Engineering.

## Garantía

Este producto tiene una garantía de un año desde la fecha de compra en defectos de material y de fabricación.

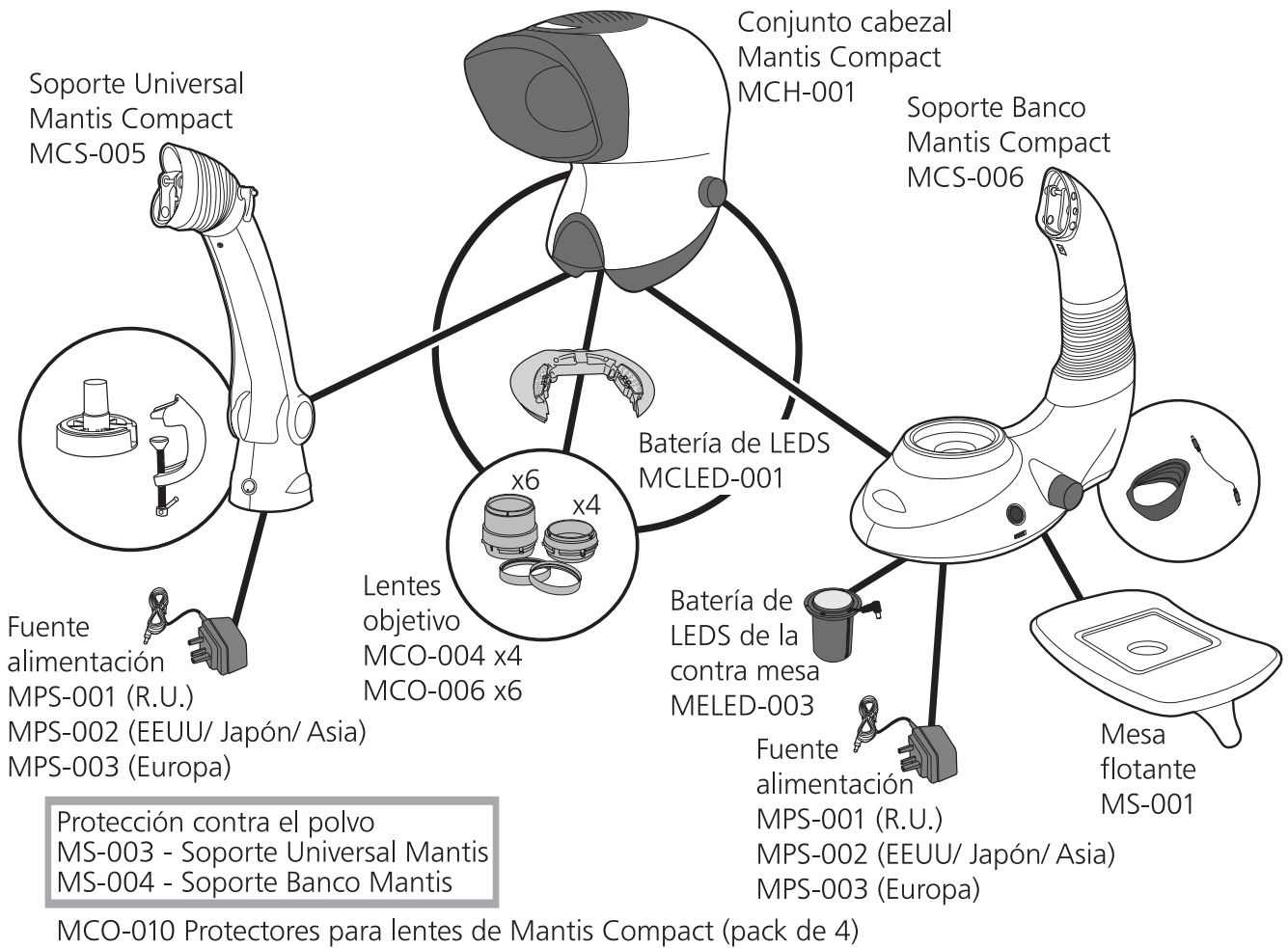
Si durante el periodo de garantía un producto es defectuoso, este será reparado o cambiado en una planta de Vision Engineering o en otro lugar, a elección de Vision Engineering. De hecho, Vision Engineering se reserva el derecho de reembolsar el dinero si no puede reemplazarlo, y repararlo no es comercialmente viable o temporalmente posible. Las partes que no son de Vision Engineering dependen de la garantía de su fabricante. Los componentes percederos como los fusibles no tienen garantía.

Esta garantía no cubre daños ocasionados en el transporte, daños por uso incorrecto, negligencia o falta de cuidado, o daños ocasionados por servicio inapropiado o modificaciones por personas ajenas al personal autorizado por Vision Engineering. Además esta garantía no cubre los trabajos rutinarios de mantenimiento del producto descritos en el libro de instrucciones o cualquier trabajo de mantenimiento inferior que corresponde al comprador.

No se asume ninguna responsabilidad por funcionamiento insatisfactorio o condiciones medioambientales como humedad, polvo, productos químicos corrosivos, derrames de aceite u otros líquidos, o condiciones parecidas fuera del control de Vision Engineering.

A excepción de lo que aparece aquí, Vision Engineering no garantiza otros aspectos expresados o implícitos por ley, como la reventa, el mantenimiento particular u otros aspectos. Además, Vision Engineering bajo ninguna circunstancia se responsabiliza de incidentes, consecuencias u otros daños.

## Familia de producto Mantis Compact



## Datos técnicos

Lentes		
Lentes objetivo	Distancia de trabajo	Campo de visión
x4	96mm	27,5mm
x6	73mm	19,2mm

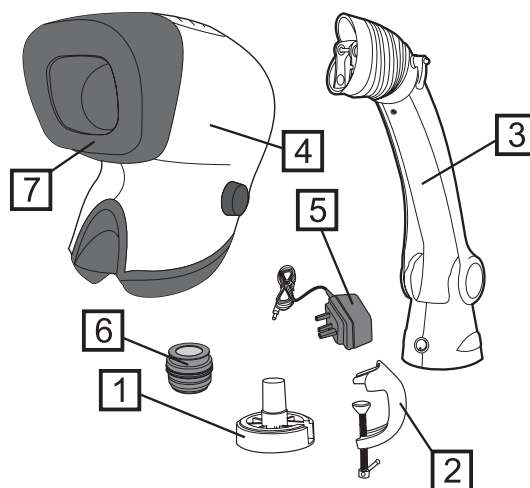
Datos alumbrado		
Intensidad Lux medida en el plano con filtros correctores del color		
20 LEDs	9.400 LUX	10.000 horas

Fuente alimentación
Transformador externo 9V DC

Accesorios
Protectores para lentes
Mesa flotante (para soporte banco)
Protección contra el polvo
Batería de leds de recambio

## Contenidos

- 1 Acoplamiento Universal
- 2 Abrazadera - G
- 3 Soporte con plataforma de contrapesado
- 4 Cabezal de visión
- 5 Cargador
- 6 Lente objetivo
- 7 Protección contra deslumbramiento



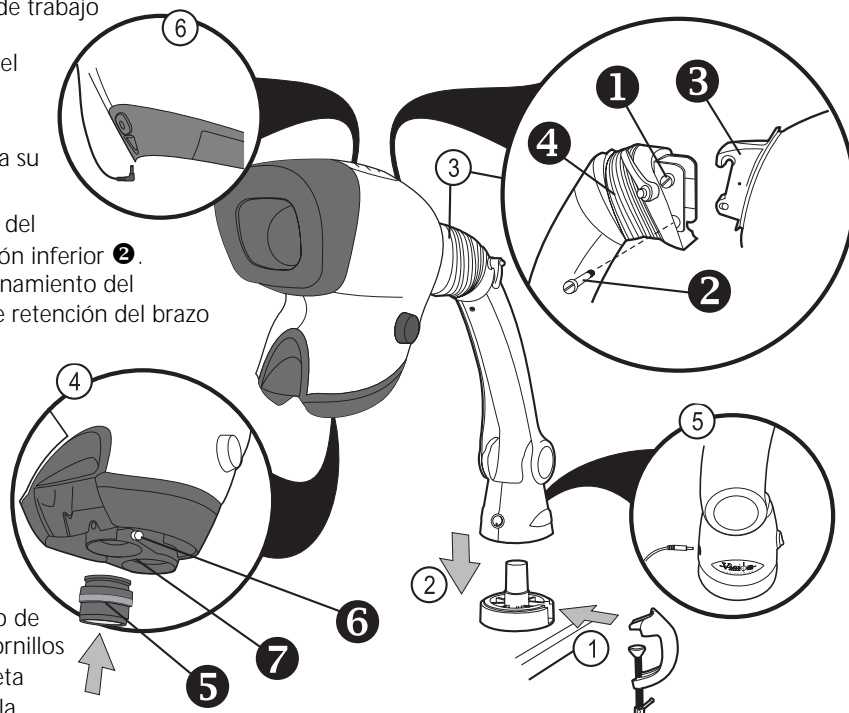
## Montaje

- 1 Fije el acoplamiento Universal a la superficie de trabajo con la abrazadera G suministrada, o con los tornillos adecuados situados en los orificios del acoplamiento.
- 2 Coloque el brazo universal encima del acoplamiento Universal. Baje a la espiga hasta su total montaje.
- 3 Reemplace el perno superior de retención 1 del brazo universal y extraiga el perno de retención inferior 2. Coloque con cuidado el enganche de posicionamiento del Cabezal Mantis 3 sobre el perno superior de retención del brazo universal.

Cambie el perno de retención inferior, asegurándose de que éste pasa por el acoplamiento de situación inferior del Cabezal de visión Mantis.

Apriete los pernos de retención superior e inferior, y vuelva a colocar el fuelle de goma del brazo universal 4.

- 4 Coloque el objetivo deseado 5 en el asiento del objetivo (asegurándose de que el logotipo de Vision está en la parte frontal) y apriete los tornillos de fijación 6. Si fuera necesario, gire la torreta porta-objetivo 7 y coloque otro objetivo de la misma forma.
- 5 Una vez de asegurarse de que el cargador es el adecuado para su fuente de alimentación de voltaje, conecte el enchufe de éste a una red de potencia adecuada y su conector de salida a la base del brazo universal.
- 6 Conecte el conductor de salida de la parte superior del brazo universal a la parte posterior del Cabezal de visión. **No intente conectar la fuente de alimentación directamente al Cabezal de visión.**



## Mantenimiento rutinario

### Cambio de desecante

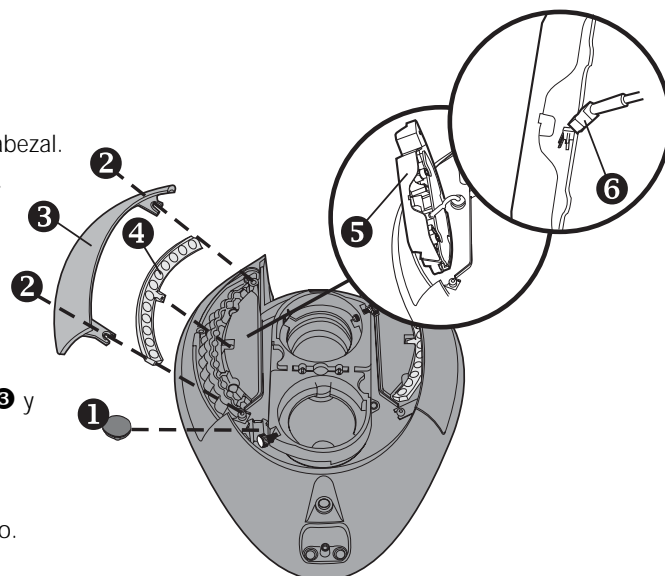
El desecante elimina el exceso de humedad del cabezal óptico.

- ▶ Desconecte la fuente de alimentación de la parte inferior del cabezal.
- ▶ Saque la arandela 1 del desecante y retire el desecante usado.
- ▶ Cambie el desecante y la arandela.

### Batería de Leds

El método de eliminación de los LED es idéntico en los diferentes lados.

- ▶ Desconecte el cargador de la parte inferior del cabezal.
- ▶ Suelte los dos tornillos 2 que fijan el filtro/ tapa de la batería 3 y quite la tapa.
- ▶ Levante la batería de Led y 5 gírela. Desconecte el conector de la batería 6 y quítela totalmente junto con el filtro 4.
- ▶ Para volver a montarla, proceda en modo inverso a este proceso.



## Operación

### Generalidades

Conecte el interruptor principal **1** y coloque el objeto debajo del Cabezal de visión Mantis.

### Enfoque

Una vez de que la abrazadera **2** está suelta, mueva el Cabezal de visión arriba o abajo hasta que el objeto esté enfocado.

Una vez enfocado, apriete la abrazadera.

### Distancia interpupilar

Regule la distancia interpupilar **3** hasta conseguir una vista estéreo confortable.

**Nota:** Es muy importante el ajuste de la distancia entre ojos para ver de forma confortable y debe hacerse para cada usuario de Mantis.

### Cambio de la lente

Para cambiar un objetivo **4**, suelte los tornillos de fijación **5** de la lente y sáquela. Guárdela en el estuche suministrado.

Coloque la lente objetivo elegido en el asiento de éste y apriete el tornillo de fijación.

Alternativamente, gire la torreta porta-objetivos **6** hasta colocar el objetivo deseado en cada momento.

### Contrapeso del cabezal

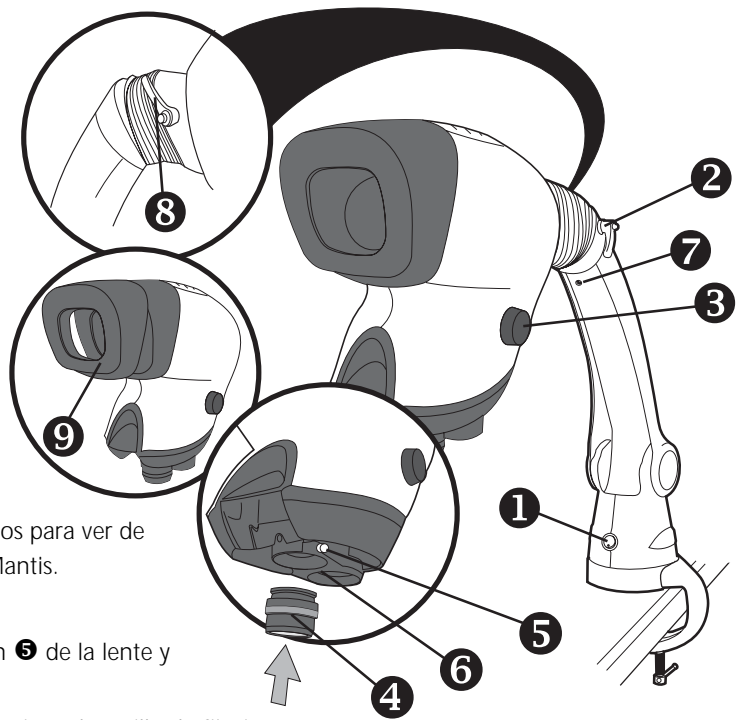
Si se cambia la lente, puede que sea necesario ajustar el contrapeso del cabezal. Ajuste el tornillo **7** del contrapeso (en sentido horario para lentes más ligeras y antihorario para más pesadas) hasta que el cabezal no se mueva arriba y abajo.

### Ajuste del balanceo del cabezal (Opcional)

Afloje el control para el ajuste del balanceo **8**, mueva el cabezal de visión arriba o abajo hasta conseguir la posición necesaria y apriete el control de fricción.

### Eliminación de la protección

En ciertos ambientes se puede mejorar la visión retirando la visera contra deslumbramiento **9**.



## Cuidado general

- ▶ Cuando no lo utilice, proteja la Mantis contra el polvo.
- ▶ Quite el polvo con un cepillo suave o un trapo.
- ▶ La pantalla de visión de Mantis y las lentes han de limpiarse con un paño apropiado para limpiar lentes.
- ▶ Cuando no utilice los accesorios guárdelos en algún lugar donde no haya polvo.

### Servicio

Las tareas de servicio y reparación solo deben llevarse a cabo por personal técnico autorizado por Vision Engineering.

## Garantía

Se garantiza que este producto está libre de defectos en cuanto a materiales y mano de obra durante un periodo de un año desde la fecha de la factura al comprador.

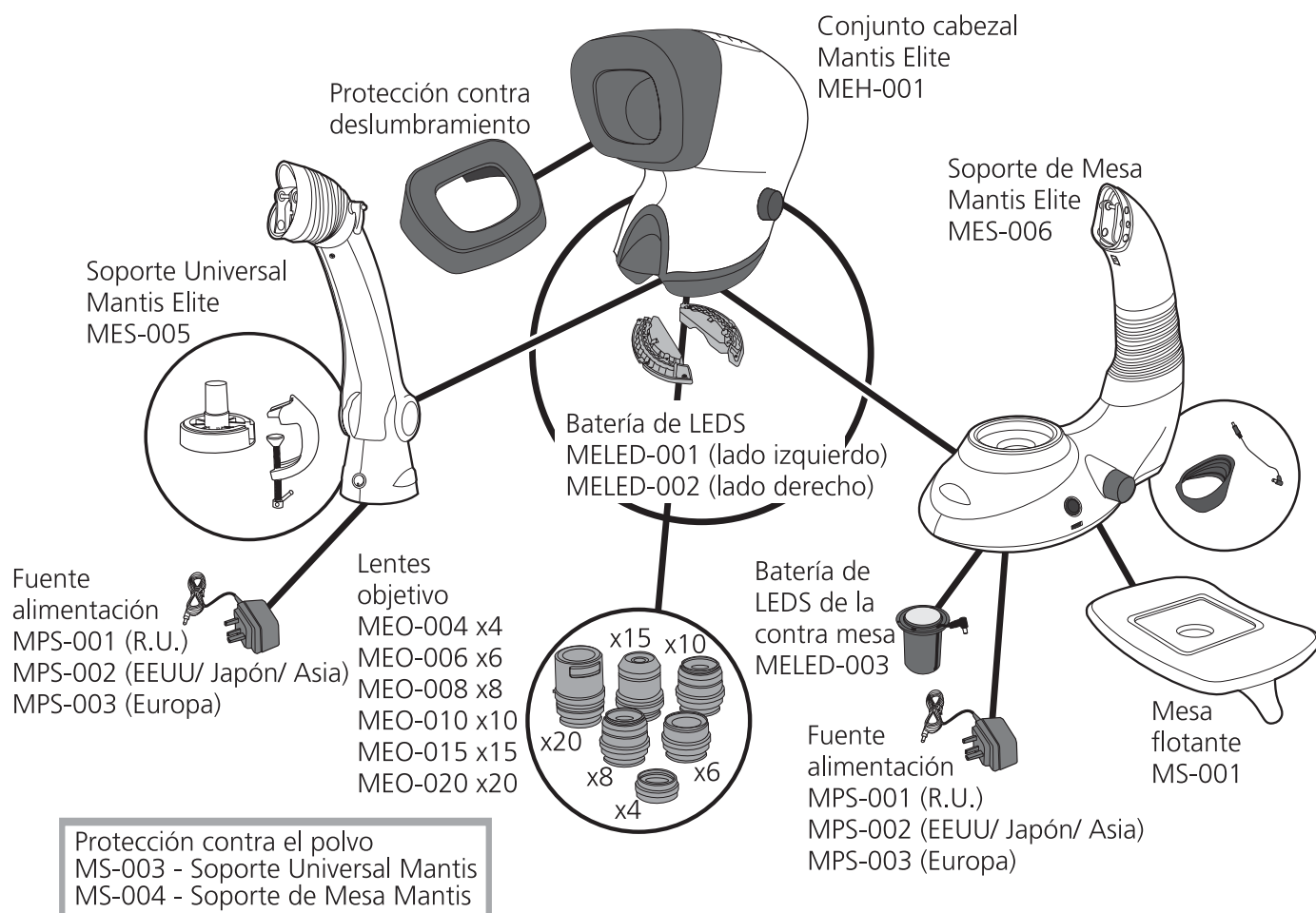
Si durante el periodo de garantía se estropea el producto, será reparado o cambiado en las instalaciones de Vision Engineering o en otro lugar, a opción de Vision Engineering. Sin embargo, Vision Engineering se reserva el derecho de reembolsar el precio de compra si no pudiera reponer el producto y la reparación no fuera comercialmente viable o no se pudiera realizar a tiempo. Las piezas no fabricadas por Vision Engineering solo llevan la garantía de su fabricante. Los bienes consumibles como fusibles no tienen garantía.

Esta garantía no cubre daños por transporte, daños causados por una mala utilización, negligencia, o descuido, o daños como resultado de un mal servicio o modificación por otros que no sean personal de Vision Engineering. Además, esta garantía no cubre ningún trabajo de mantenimiento rutinario del producto descrito en la guía del usuario o cualquier pequeña tarea de mantenimiento que de una forma razonable se espere la realice el comprador.

No se acepta responsabilidad alguna si el producto no funciona bien debido a condiciones medioambientales como humedad, polvo, químicos corrosivos, deposiciones de aceite u otros cuerpos extraños, derrames, u otras condiciones más allá del control de Vision Engineering.

Exceptuando las aquí mencionadas, Vision Engineering no cubre ninguna otra garantía, manifiesta o implícita por ley, tanto por reventa, adaptación para una determinada finalidad o similar. Además bajo ninguna circunstancia Vision Engineering será responsable de daños fortuitos, consecuenciales u otros.

## Componentes opcionales para Mantis Elite



Protección contra el polvo  
MS-003 - Soporte Universal Mantis  
MS-004 - Soporte de Mesa Mantis

MEO-025 Protectores para lentes de Mantis Elite (pack de 4) para x4, x8 y x10  
MEO-026 Protectores para lentes de Mantis Elite (pack de 4) para x6

## Datos técnicos

Lentes		
Lentes	Distancia de trabajo	Campo de visión
x4	96mm	34,0mm
x6	68mm	23,0mm
x8	59mm	17,0mm
x10	54mm	13,5mm
x15	40mm	8,8mm
x20	29mm	6,5mm

Datos alumbrado		
Intensidad Lux medida en el plano con filtros correctores del color		
24 LEDs	11.000 LUX	10.000 horas

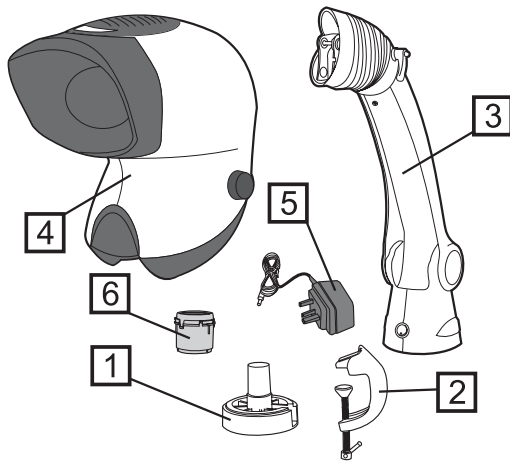
Fuente alimentación
Transformador externo 9V DC

Accesorios
Protectores para lentes
Mesa flotante (para soporte banco)
Protección contra el polvo
Batería de leds de recambio



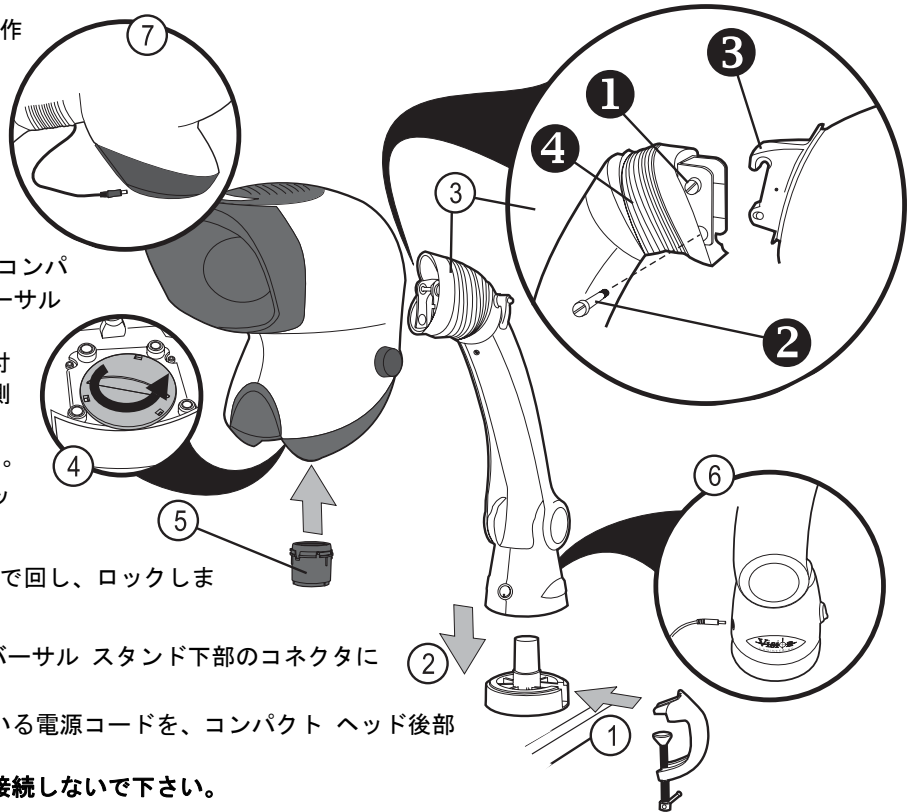
## 構成

- ① マウント
- ② Gクランプ
- ③ コンパクト ユニバーサルスタンド
- ④ コンパクト ヘッド
- ⑤ ACアダプタ
- ⑥ 対物レンズ



## 組立

- ① マウントをGクランプ又は3本のネジで作業台に固定します。
- ② コンパクト ユニバーサルスタンドをマウントに挿し込みます。
- ③ コンパクト ユニバーサルスタンドの上部取付けボルト①をゆるめます。下部取付けボルト②を外します。コンパクト ヘッド後部のフック③をユニバーサルスタンドの上部取付けボルトに掛けます。ユニバーサルスタンドの下部取付けボルトをコンパクト ヘッド後部下側の穴に通します。上部及び下部のボルトを締め、ゴムカバー④をかけます。
- ④ コンパクト ヘッド下部のレンズキャップを外します。
- ⑤ 対物レンズを選択し、静かに挿し込んで回し、ロックします。
- ⑥ ACアダプタケーブルのプラグをユニバーサルスタンド下部のコネクタに接続します。
- ⑦ ユニバーサルスタンド上部から出ている電源コードを、コンパクトヘッド後部のソケットに接続します。  
のプラグを直接コンパクトヘッドに接続しないで下さい。



## 定期保守

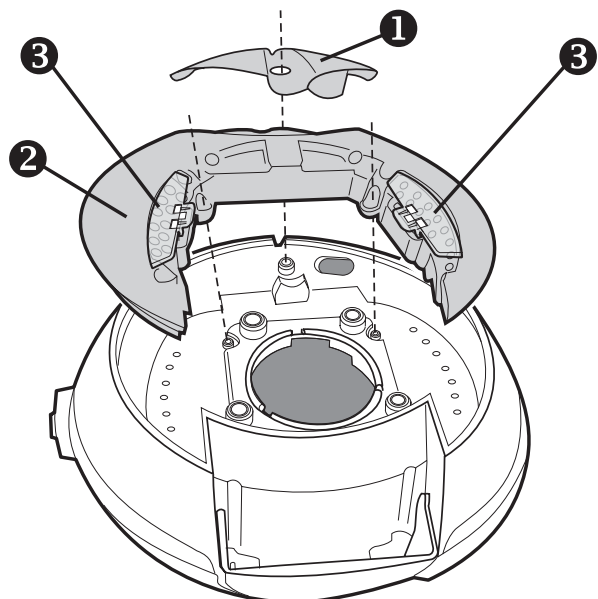
### 乾燥剤の交換

乾燥剤はコンパクトヘッド内の湿気を除去します。

- ▶ コンパクトヘッドの電源コードを外します。
- ▶ ネジを緩めカバー①を外します。
- ▶ 乾燥剤を交換します。

### LEDアレイの交換

- ▶ ネジを緩めカバー①を外します。
- ▶ LEDアレイ②を固定している2本のネジを外し、フィルタ③が付いた状態で交換します。
- ▶ 取外しと逆の順序で組立ててください。



## 使用方法

### はじめに

電源スイッチ①を入れ、試料をコンパクトヘッドの下に置きます。

### 焦点調整

ユニバーサルスタンドの特長は、作業者に合った見やすいポジ

ションに簡単にセットができることです。通常は試料を手に持ち焦点を合わせます。コンパクトヘッドの高さ調整は、高さ固定ノブ②を緩めてからおこなってください。

### 眼幅調整

眼幅調整ツマミ③を回し個人の眼幅に合わせます。

注) この調整が不良の場合は良好な立体像が得られません。

### レンズの交換

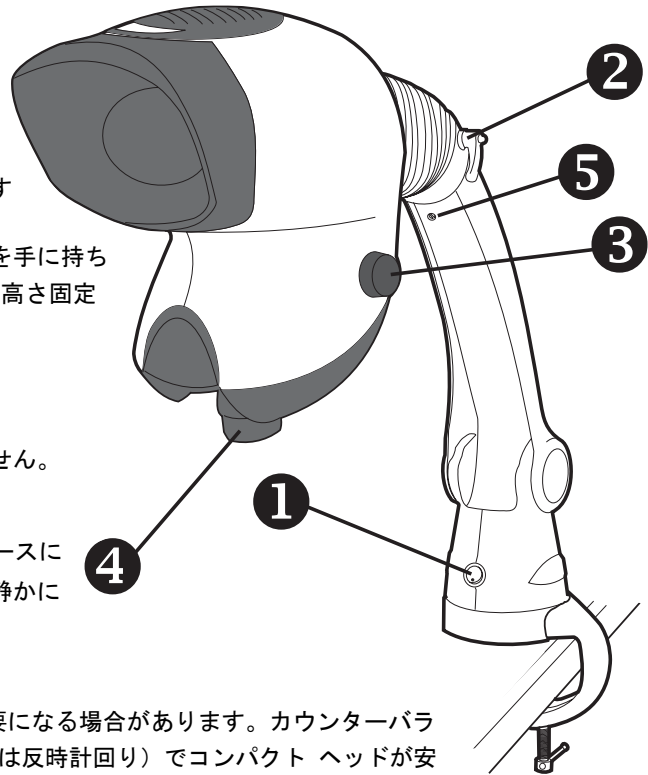
対物レンズ④をまわして外します。レンズはレンズケースに収納してください。使用する対物レンズを挿し込み、静かにまわして固定します。

### コンパクトヘッドのカウンターバランス

対物レンを交換するとカウンターバランスの調整が必要になる場合があります。カウンターバランス調整ネジ⑤（軽いレンズは時計回り、重いレンズは反時計回り）でコンパクトヘッドが安定するよう調整します。

### 人間工学に基いた観察姿勢

マンティスを使用することにより、人間工学に基いた楽な姿勢での観察が可能になります。マンティスを設置する場合、作業台や椅子の高さに注意してください。椅子に座り背を伸ばした状態で、像がコンパクトヘッドを通して水平に見え、ひじが作業台に着くように椅子及び作業台の高さを調節してください。



## 使用上の注意

- ▶ 使用しないときはカバーを掛けてください。
- ▶ 本体の汚れを落とすときは、やわらかいブラシまたは布地をご使用ください。
- ▶ レンズのクリーニングはレンズ専用布をご使用ください。
- ▶ 付属レンズは、ホコリの少ない場所に保管してください。

### 修理

機器の修理はヴィジョン・エンジニアリングの認定ショップで行っています。

## 保証書

記載のお買い上げ日より1年間、本製品の取扱説明書等に基いて正しくお使いいただいているにもかかわらず、万一故障した場合には無料で修理いたします。お買い上げ店を通じて修理を依頼してください。

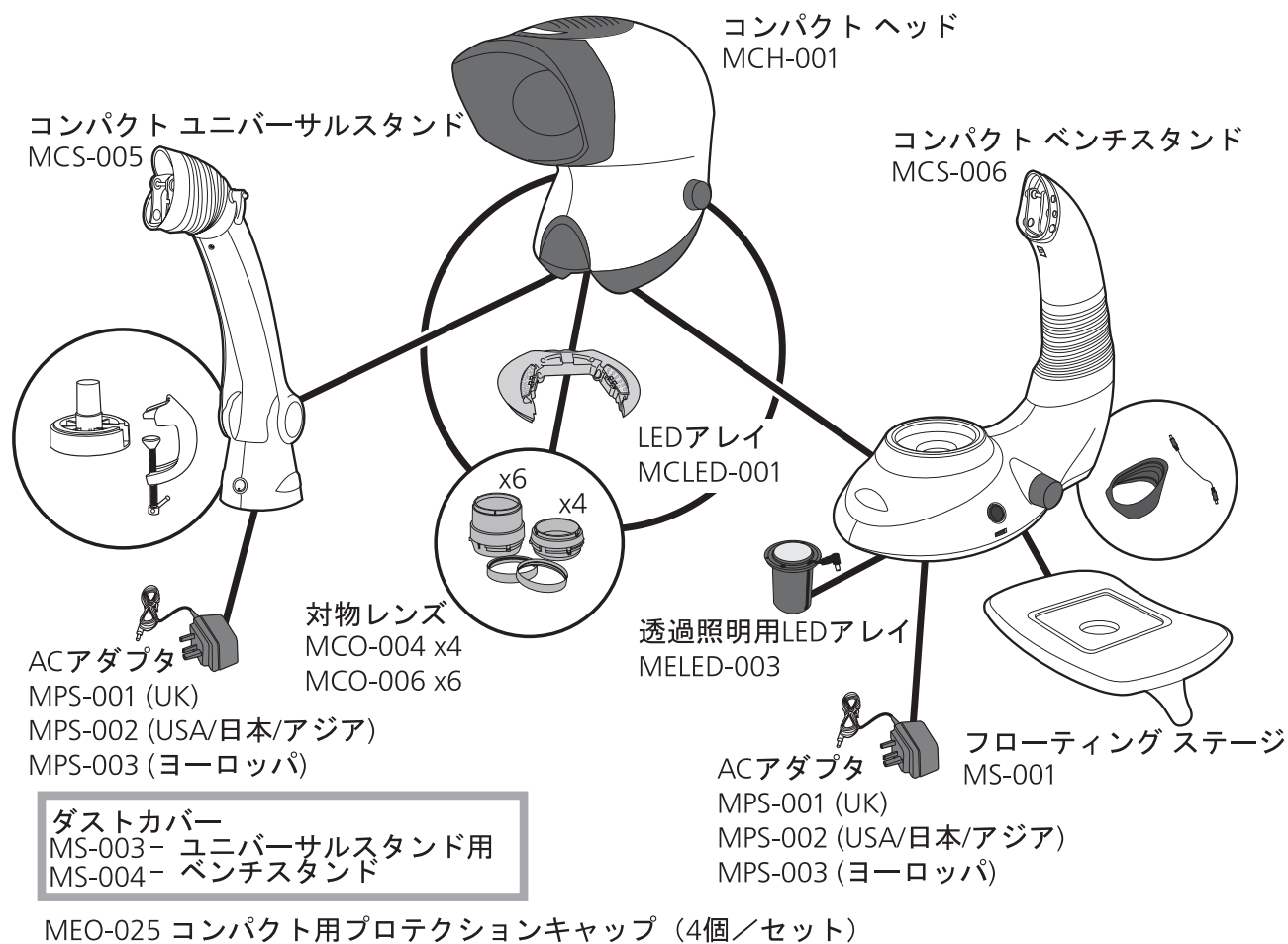
お買い上げ日	
お客様名	
販売店名	

本書は再発行いたしませんので紛失しないよう大切に保存してください。

この保証書は本書に明示した期間、条件の下において無料修理をお約束するものです。従ってお客様の法律上の権利を制限するものではありません。

本書は日本国内においてのみ有効です。

## マンティス コンパクト プロダクツ ファミリー



## テクニカルデータ

対物レンズ		
対物レンズ	焦点距離	視野
x4	96mm	27.5mm
x6	73mm	19.2mm

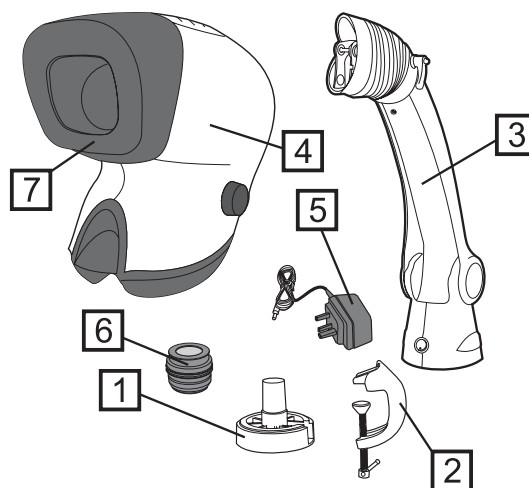
照明データ		
照度： 試料面にてカラー補正フィルタを使用し測定		
20 LEDs	9,400 LUX	10,000時間

ACアダプタ
出力 DC 9V

アクセサリ
レンズプロテクションキャップ
フローティングステージ (ベンチスタンド用)
ダストカバー
予備LEDアレイ

## 構成

- ① マウント
- ② Gクランプ
- ③ エリート ユニバーサルスタンド
- ④ エリート ヘッド
- ⑤ ACアダプタ
- ⑥ 対物レンズ
- ⑦ アンチグレア フード



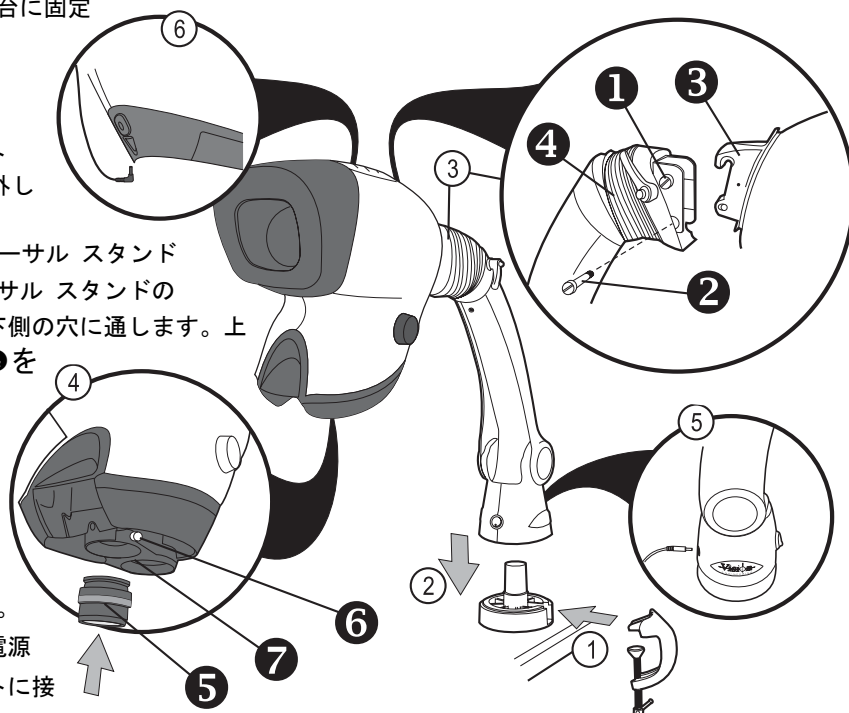
## 組立

- ① マウントをGクランプ又は3本のネジで作業台に固定します。
- ② エリート ユニバーサルスタンドをマウントに挿し込みます。
- ③ ユニバーサル スタンドの上部取付けボルト ①をゆるめます。下部取付けボルト ②を外します。

エリート ヘッド後部のフック ③をユニバーサル スタンドの上部取付けボルトに掛けます。ユニバーサル スタンドの下部取付けボルトをエリート ヘッド後部下側の穴に通します。上部及び下部のボルトを締め、ゴムカバー ④をかけます。

- ④ 対物レンズ⑤を選択し、ターゲット（Visionロゴが前）に取付けネジ⑥で固定します。必要なら、ターゲット⑦を回転させ、もう1本レンズを装着してください。
- ⑤ ACアダプタ ケーブルのプラグをユニバーサルスタンド下部のコネクタに接続します。
- ⑥ ユニバーサル スタンド上部から出ている電源コードを、エリート ヘッド後部のソケットに接続します。

注) AC アダプタ ケーブルのプラグを直接エリート ヘッドに接続しないで下さい。



## 定期保守

### 乾燥剤の交換

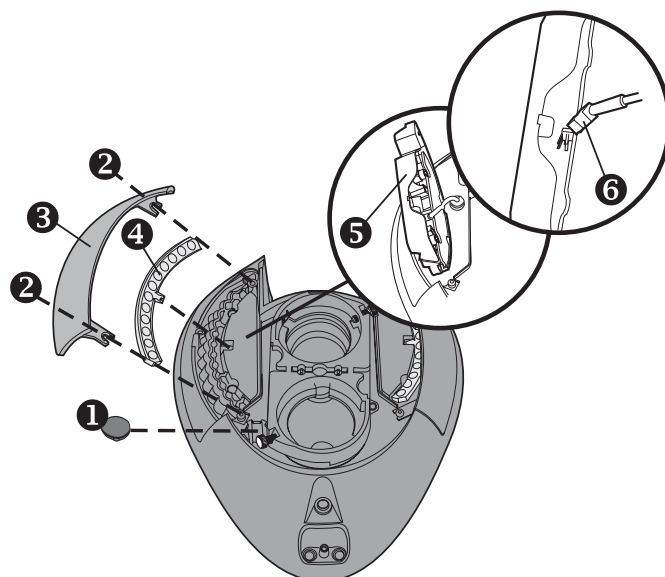
乾燥剤はエリート ヘッド内部の湿気を除去します。

- ▶ エリート ヘッドの電源コードを外します。
- ▶ キャップ①を外し、乾燥剤を取出します。
- ▶ 新しい乾燥剤を入れ、キャップを閉めてください。

### LEDアレイの交換

LEDアレイの交換方法は、左右とも同じです。

- ▶ エリート ヘッドの電源コードを外します。
- ▶ 2本のネジ②を緩め、カバーWを外します。
- ▶ LEDアレイ⑤を持ち上げ裏返しにします。アレイコネクター⑥を外し、LEDアレイ（フィルター④付）を取出します。
- ▶ 取外しと逆の順序で組立てください。



## 使用方法

### はじめに

電源スイッチ①を入れ、試料をエリート ヘッドの下に置きます。

### 焦点調整

高さ固定ノブ②を緩め、エリート ヘッドを上下させ焦点を合わせます。

### 眼幅調整

眼幅調整ツマミ③を回し個人の眼幅に合わせます。

注) この調整が不良の場合は良好な立体像が得られません。

### レンズの交換

対物レンズ④を交換するときは、レンズ固定ネジ⑤を緩めて取外します。取外したレンズはレンズケースに収納してください。

交換するレンズをターゲットに挿し込み、ネジで固定します。2種類の対物レンズを使用する場合、ターゲット⑥を回転させ、倍率を変更します。

### エリート ヘッドのカウンターバランス

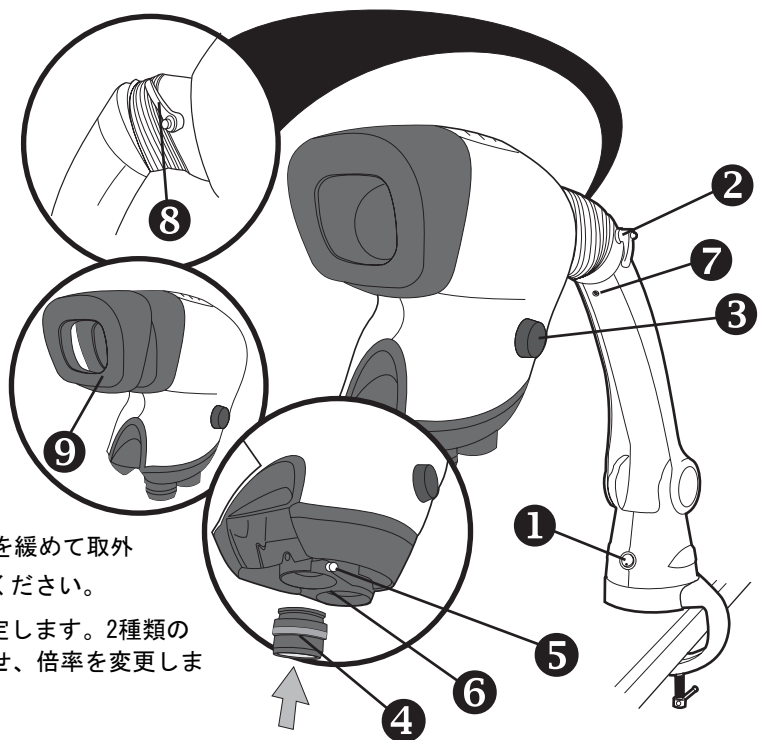
対物レンズを交換するとカウンターバランスの調整が必要になる場合があります。カウンターバランス調整ネジ⑦（軽いレンズは時計回り、重いレンズは反時計回り）でエリート ヘッドが安定するよう調整します。

### 目視角の調整（オプション）

目視角固定ノブ⑧を緩め、角度の調整を行ってください。角度が決まったら固定ノブを締めてください。

### アンチグレア フード

作業環境により、アンチグレア フード⑨を取外したほうが見やすい場合があります。



## 使用上の注意

- ▶ 使用しないときはカバーを掛けてください。
- ▶ 本体の汚れを落とすときは、やわらかいブラシまたは布地をご使用ください。
- ▶ レンズのクリーニングはレンズ専用布をご使用ください。
- ▶ 付属レンズは、ホコリの少ない場所に保管してください。

### 修理

機器の修理はヴィジョン・エンジニアリングの認定ショップで行っています。

## 保証書

記載のお買い上げ日より1年間、本製品の取扱説明書等にしながら正しくお使いいただいているにもかかわらず、万一故障した場合には無料で修理いたします。お買い上げ店を通じて修理を依頼してください。

お買い上げ日	
お客様名	
販売店名	

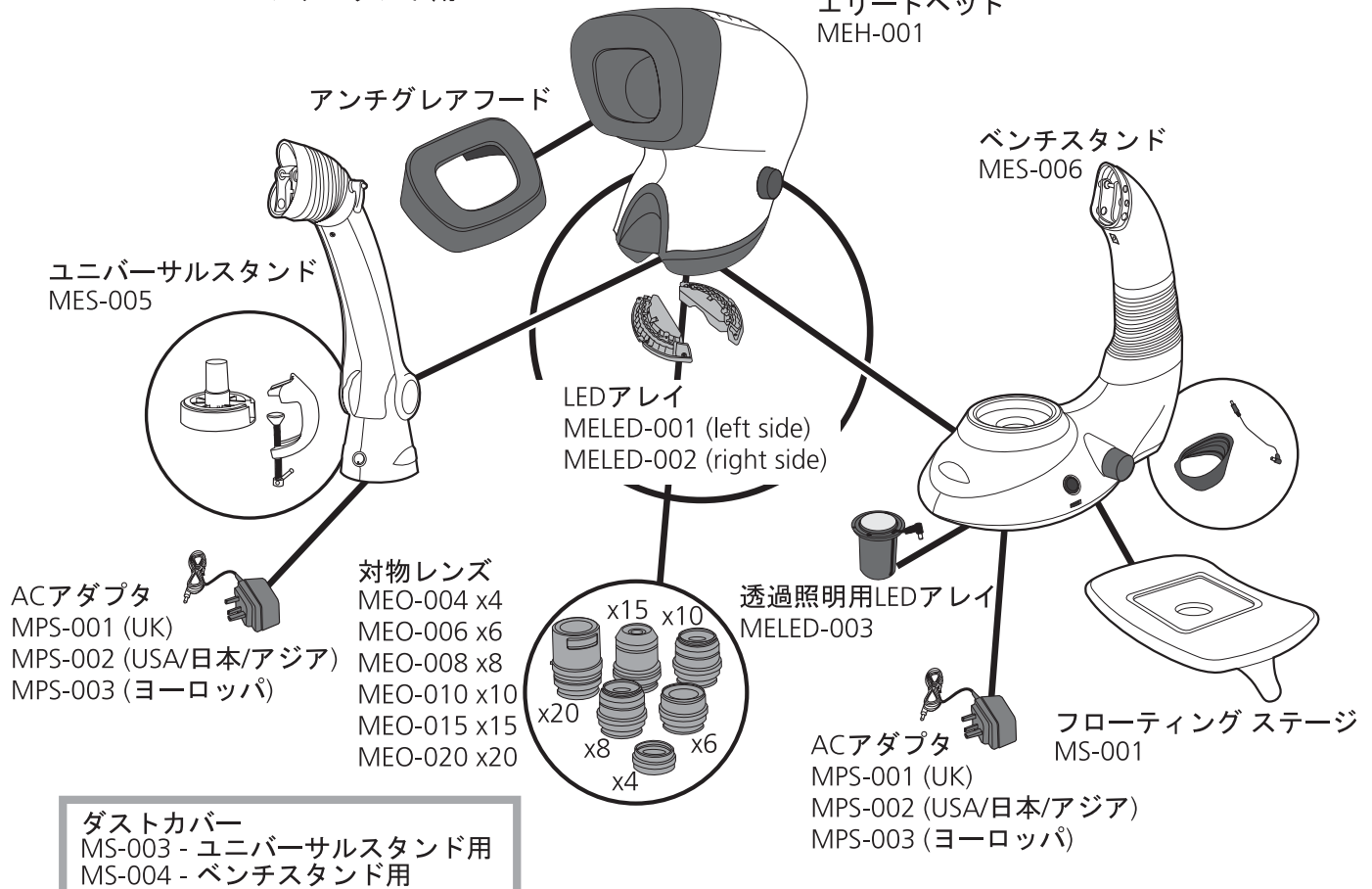
本書は再発行いたしませんので紛失しないよう大切に保存してください。

この保証書は本書に明示した期間、条件の下において無料修理をお約束するものです。従ってお客様の法律上の権利を制限するものではありません。

本書は日本国内においてのみ有効です。

## マンティス エリート プロダクツ ファミリー

ベンチスタンド用

エリートヘッド  
MEH-001

MEO-025 エリート用プロテクションキャップ4,8,10倍用 (4個/セット)  
MEO-026 エリート用プロテクションキャップ6倍用 (4個/セット)

## テクニカルデータ

対物レンズ		
対物レンズ	焦点距離	視野
x4	96mm	34.0mm
x6	68mm	23.0mm
x8	59mm	17.0mm
x10	54mm	13.5mm
x15	40mm	8.8mm
x20	29mm	6.5mm

照明データ		
照度： 試料面にてカラー補正フィルタを使用し測定		
24 LEDs	11,000 LUX	10,000時間

## ACアダプタ

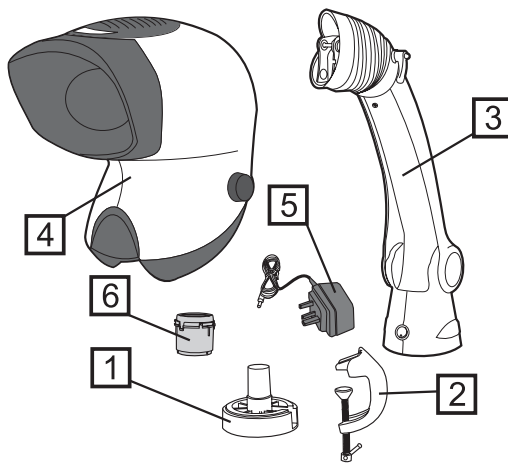
出力 DC 9V

## アクセサリ

レンズプロテクションキャップ  
フローティングステージ (ベンチスタンド用)  
ダストカバー  
予備LEDアレイ

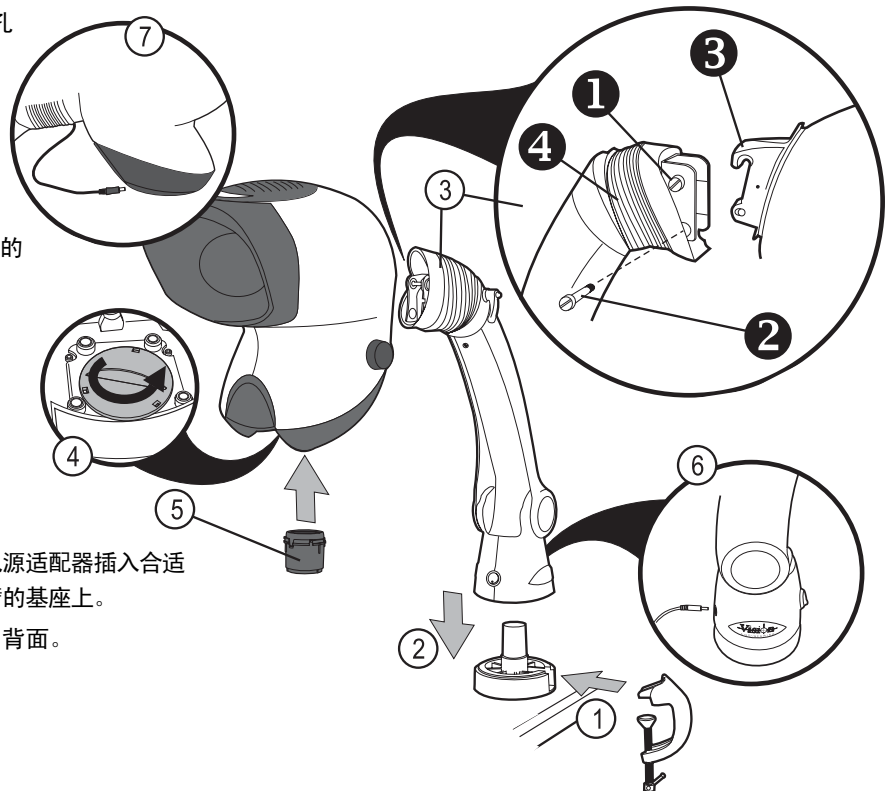
## 装箱清单

- ① 通用底座
- ② G 形夹
- ③ 平衡支架
- ④ 观察头
- ⑤ 电源适配器
- ⑥ 物镜



## 组装

- ① 使用所提供的 G 形夹，或使用通用底座的孔中的适当螺钉，将通用底座紧固到工作台上。
  - ② 将通用臂放到通用底座顶部，并顺着套管向下按，直到完全安装好。
  - ③ 旋松通用臂的上固定螺栓 ①。取出下固定螺栓 ②。小心地将 Mantis 观察头 ③ 的定位钩放到通用臂的上固定螺栓上。重新装上下固定螺栓 ②，确保螺栓穿过 Mantis 观察头的下定位架。拧紧上下固定螺栓，然后重新定位通用臂橡胶护套 ④。
  - ④ 从观察头下面取下红色的通联插头。
  - ⑤ 将选择的物镜定位并锁定到物镜座上。
  - ⑥ 请确保电源适配器适合您的电源电压，将电源适配器插入合适的电源插座上，并将其输出接头插入通用臂的底座上。
  - ⑦ 将通用臂顶部的输出引线连接到观察头的背面。
- 请勿直接将电源适配器连接到观察头上。**



## 日常维护

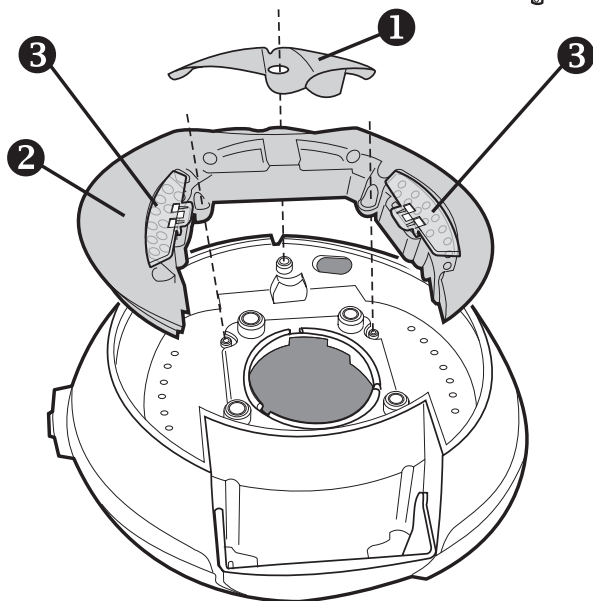
### 更换干燥剂

干燥剂用于去除光学头内过多的湿气。

- ▶ 断开位于观察头底部的电源。
- ▶ 取下固定干燥剂盖的螺钉 ① 并提起盖子。
- ▶ 更换干燥剂。

### LED 阵列

- ▶ 取下干燥剂盖 ①。
- ▶ 卸下固定 LED 阵列 ② 的两个十字螺钉，并连同过滤网 ③ 一起取下整个阵列。
- ▶ 重新安装时，可采取相反的过程。



## 操作

### 概述

打开电源开关 ❶ 并将待测物放到 Mantis 观察头下面。

### 聚焦

通用支架产品的目的是将仪器的高度设置到适于观测的位置，然后将物体升高（通常是手动）到焦点位置。从而保持最佳的舒适度。

要设置仪器的高度，先松开摩擦夹 ❷，然后将观察头向上或向下移动，直到达到所需的观测位置，然后旋紧摩擦夹。

### 目距

调整目距控制钮 ❸，以获得合适的立体视角。

**注意：**调整目距对于观测舒适性非常重要，必须为每位 Mantis 用户调整目距。

### 更换镜头

要更换物镜，请旋松并取下镜头 ❹。将镜头存放所提供的容器中。

将选择的物镜锁定到载物座上。

### 头平衡

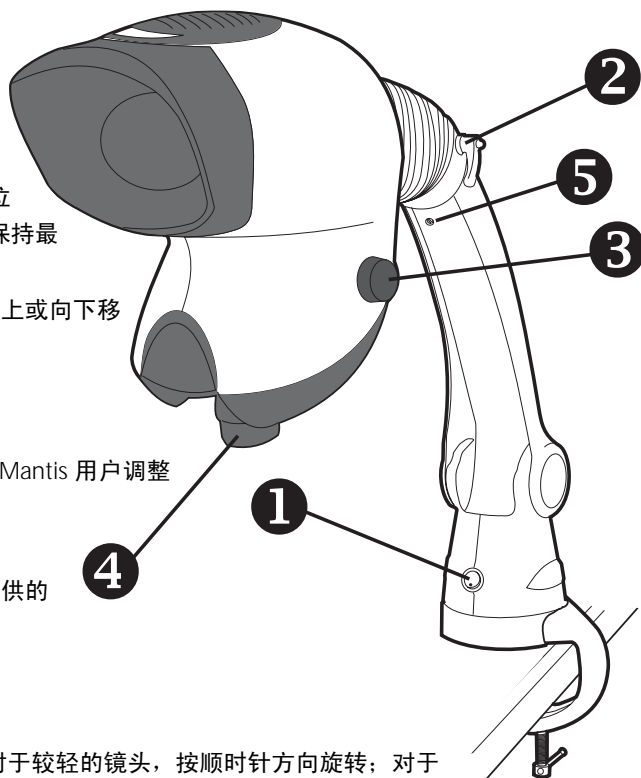
更换镜头后，需要调整头平衡。调整头平衡螺钉 ❺（对于较轻的镜头，按顺时针方向旋转；对于较重的镜头，按逆时针方向旋转），直到松开支撑后，观察头不再向上或向下偏移。

### 符合人机工程学的观测

符合人机工程学的姿势可以让用户充分感受 Mantis 光学技术所带来的优势。

在安装 Mantis 时，首先布置好工作区，留意桌椅的高度。

坐直时，您的双眼应该与 Mantis 观察头处于很舒服的相对位置。前臂应该由工作表面支撑。



## 日常保养

- ▶ 不使用时，用提供的防尘罩盖住 Mantis。
- ▶ 用软毛刷或清洁布清除灰尘。
- ▶ 应使用镜头清洁布来清洁 Mantis 镜头。
- ▶ 不使用时，将附件放到无尘的环境中。

## 服务

服务和维修工作必须由经过 Vision Engineering 授权的服务工程师进行。

## 担保

本产品自售给最初购买者之日起的一年内，保证不会出现材料或工艺方面的缺陷。

如果产品在保修期内出现缺陷，将在 Vision Engineering 的工厂或其他地方进行维修或更换，这完全取决于 Vision Engineering 的选择。但是，如果无法提供更换，而维修又不可行或来不及，Vision Engineering 保留退还货款的权利。非 Vision Engineering 制造的零部件仅采用其制造商的担保。易耗组件（如保险丝）不受担保。

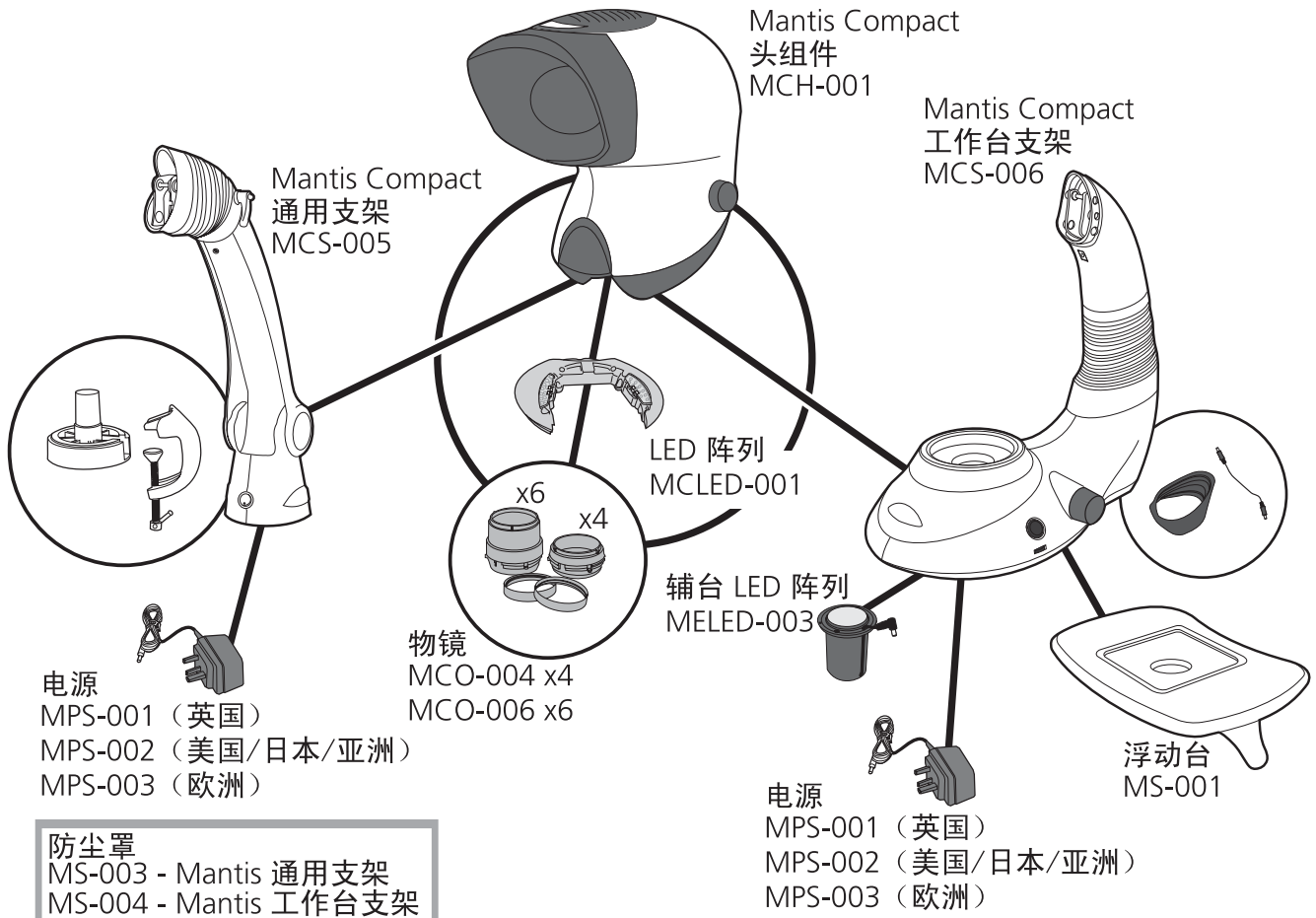
本担保不包括由以下原因造成的损坏：由运输造成的损坏；由使用不当、疏忽或大意造成的损坏；或由未经 Vision Engineering 认可的服务人员不正确地维修或修改而造成的损坏。此外，本担保不包括用户指南中所述的产品日常维护工作或任何理应由购买者进行的较小维护工作。

对于由诸如湿气、灰尘、腐蚀性化学药剂、油或其他外部物质的聚积、泄漏或其他超出 Vision Engineering 控制的条件引起的令人不满意的操作性能，概不负责。



Mantis Compact 产品系列

中文



MCO-010 Mantis Compact 一次性物镜保护盖 (每盒4个)

技术参数

物镜		
物镜	工作距离	视野
x4	96mm	27.5mm
x6	73mm	19.2mm

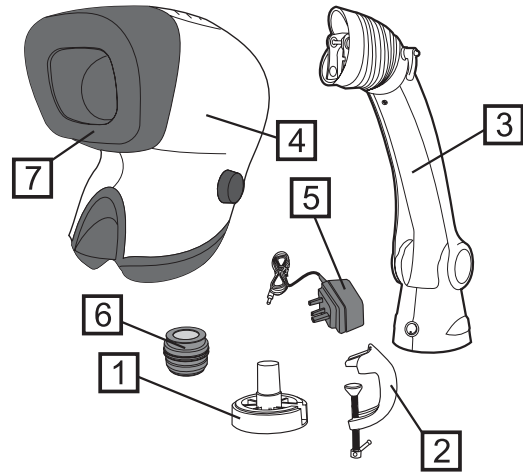
照明数据		
带颜色修正过滤器时在物体平面测量到的 LUX 强度		
20 LEDs	9,400 LUX	10,000 小时

电源
9V DC 外插式电源

附件
镜头保护盖
浮动台 (适用于台式支架)
防尘罩
置换LED 阵列

## 包装内物品

- ① 通用底座
- ② G 形夹
- ③ 平衡支架
- ④ 观察头
- ⑤ 电源适配器
- ⑥ 物镜
- ⑦ 遮光板



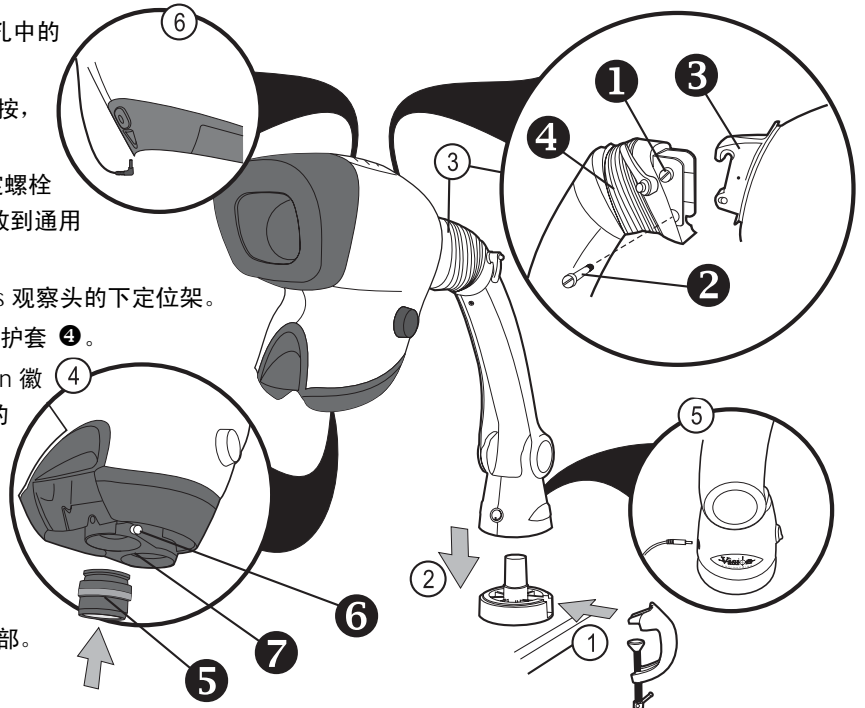
## 组装

- ① 使用所提供的 G 形夹，或使用底座上埋头孔中的适当螺钉，将通用底座紧固到工作平台上。
- ② 将通用臂放到通用底座顶部。顺着套管向下按，直到完全安装好。
- ③ 旋松通用臂上的上固定螺栓 ①。取走下固定螺栓 ②。小心地将 Mantis 观察头的定位钩 ③ 放到通用臂的上固定螺栓上。

重新装上下固定螺栓，确保螺栓穿过 Mantis 观察头的下定位架。

拧紧上下固定螺栓，然后重新定位通用臂橡胶护套 ④。

- ④ 将选择的物镜 ⑤ 放到物镜座中（确保 Vision 徽标朝前），并拧紧固定螺钉 ⑥。如果需要的话，旋转物镜转台 ⑦ 并以相同的方法装入另一个物镜。
- ⑤ 请确保电源适配器适合您的电源电压，将电源适配器插入合适的电源插座上，并将其输出接头插入通用臂的底座上。
- ⑥ 将通用臂顶部的输出引线连接到观察头的背部。  
**请勿直接将电源连接到观察头上。**



## 日常维护

### 更换干燥剂

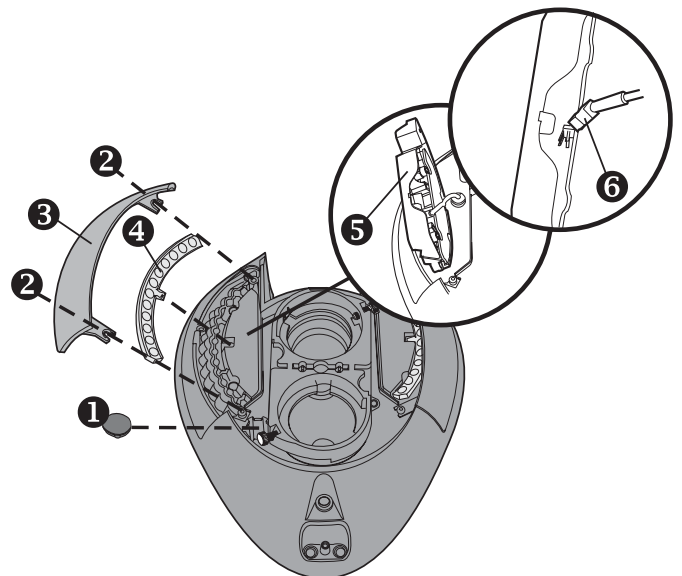
干燥剂用于去除光学头内过多的湿气。

- ▶ 断开观察头底部的电源。
- ▶ 取下盖着干燥剂的套环 ① 并取出干燥剂。
- ▶ 更换干燥剂和套环

### LED 阵列

取下任一侧 LED 阵列的方法是相同的。

- ▶ 断开观察头底部的电源。
- ▶ 旋松紧固过滤网/阵列盖 ③ 的两个螺钉 ② 并取下盖子。
- ▶ 提起 LED 阵列 ⑤ 并将它翻转。断开阵列插头 ⑥ 并连同过滤网 ④ 一起取下整个 LED 阵列。
- ▶ 重新安装时，采取相反的过程。



## 操作

### 概述

打开电源开关 ❶ 并将待测物放到 Mantis 观察头下面。

### 聚焦

确保松开摩擦夹 ❷，向上或向下移动观察头，直到物体位于焦点。

调好焦距后，拧紧摩擦夹。

### 目距

调整目距控制钮 ❸，获得合适的立体视角。

**注意：**调整目距对于观测舒适性非常重要，必须为每位 Mantis 用户都调整目距。

### 更换镜头

要更换物镜 ❹，旋松镜头固定螺钉 ❺ 并取下镜头。将镜头存放在提供的容器中。

将选择的物镜放到物镜座中并拧紧固定螺钉。

或者，旋转物镜转台 ❻ 以放入第二个物镜。

### 头平衡

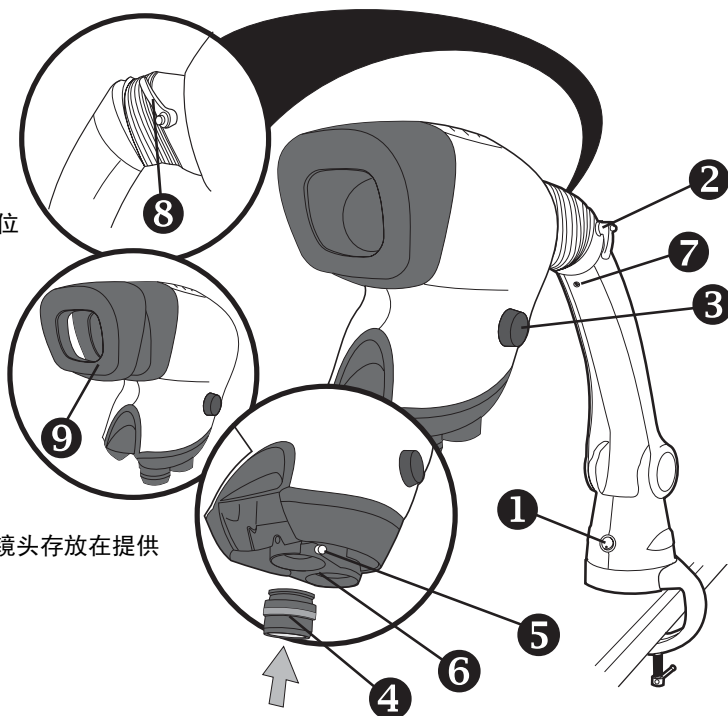
更换镜头后，需要调整头平衡。调整平衡螺钉 ❷（对于较轻的镜头，按顺时针方向旋转；对于较重的镜头，按逆时针方向旋转），直到松开支撑后，观察头不再向上或向下偏移。

### 头的倾斜调整（可选的。）

旋松倾斜调整摩擦控制钮 ❸，将观察头向上或向下移动到所需的位置，并拧紧摩擦控制钮。

### 移走遮光板

在某些光照环境下，移走遮光板 ❹ 可以提高观测效果。



## 日常保养

- ▶ 不使用时，将 Mantis 盖上防尘罩。
- ▶ 用软毛刷或清洁布清除灰尘。
- ▶ 应使用镜头清洁布来清洁 Mantis 观测屏和镜头。
- ▶ 不使用时，将附件放到无尘的环境中。

## 服务

服务和维修工作必须由经过 Vision Engineering 授权的服务工程师进行。

## 担保

本产品自售给最初购买者之日起的一年内，保证不会出现材料或工艺方面的缺陷。

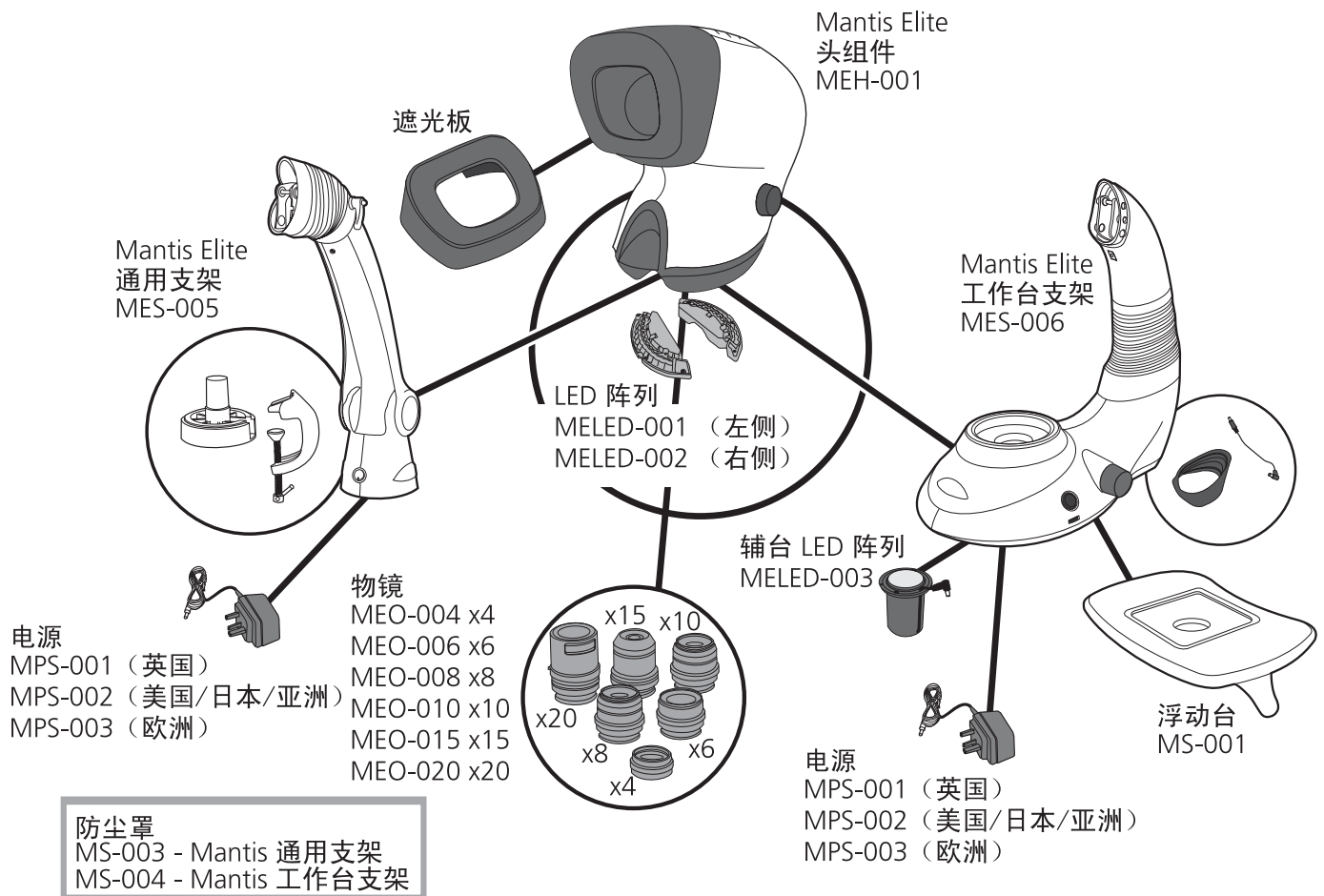
如果产品在保修期内出现缺陷，将在 Vision Engineering 的工厂或其他地方进行维修或更换，这完全取决于 Vision Engineering 的选择。但是，如果无法提供更换，而维修又不可行或来不及，Vision Engineering 保留退还货款的权利。非 Vision Engineering 制造的零部件仅采用其制造商的担保。易耗组件（如保险丝）不受担保。

本担保不包括由以下原因造成的损坏：由运输造成的损坏；由使用不当、疏忽或大意造成的损坏；或由未经 Vision Engineering 认可的服务人员不当维修或修改而造成的损坏。此外，本担保不包括用户指南中所述的产品日常维护工作或任何理应由购买者进行的较小维护工作。

对于由诸如湿气、灰尘、腐蚀性化学药剂、油或其他外部物质的聚积、泄漏或其他超出 Vision Engineering 控制的条件引起的令人不满意的操作性能，概不负责。

除此所述担保外，Vision Engineering 不进行任何其他明示的或暗示的担保，不论再销售、适用于某种特定用途或其他场合。此外，Vision Engineering 在任何情况下对于附带的、后果性的或其他损坏概不负责。

## Mantis Elite 产品系列



MEO-025 Mantis Elite 一次性物镜保护盖 (每盒4个), 具备x4, x8 和x10 三种规格。  
MEO-026 Mantis Elite 一次性物镜保护盖 (每盒4个), 6倍物镜。

## 技术参数

物镜		
物镜	工作距离	视野
x4	96mm	34.0mm
x6	68mm	23.0mm
x8	59mm	17.0mm
x10	54mm	13.5mm
x15	40mm	8.8mm
x20	29mm	6.5mm

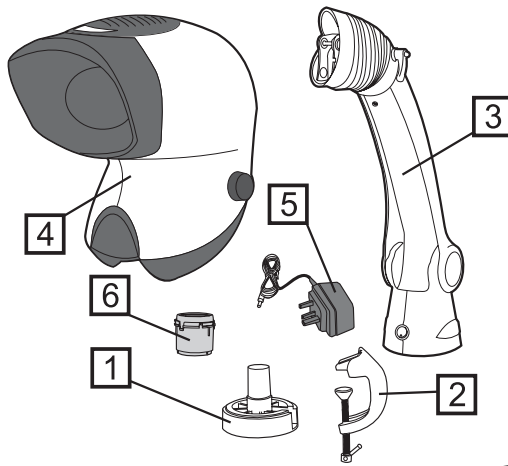
照明数据		
带颜色修正过滤器时在物体平面测量到的 Lux 强度		
24 LEDs	11,000 LUX	10,000 小时

电源
9V DC 外插式电源

附件
镜头保护盖
浮动台 (适用于台式支架)
防尘罩
置换LED 阵列

## 포장 내용물

- ① 유니버설 마운트
- ② G-클램프
- ③ 카운터 밸런스형 붐 스탠드
- ④ 뷰잉 헤드
- ⑤ 전원 어댑터
- ⑥ 대물 렌즈



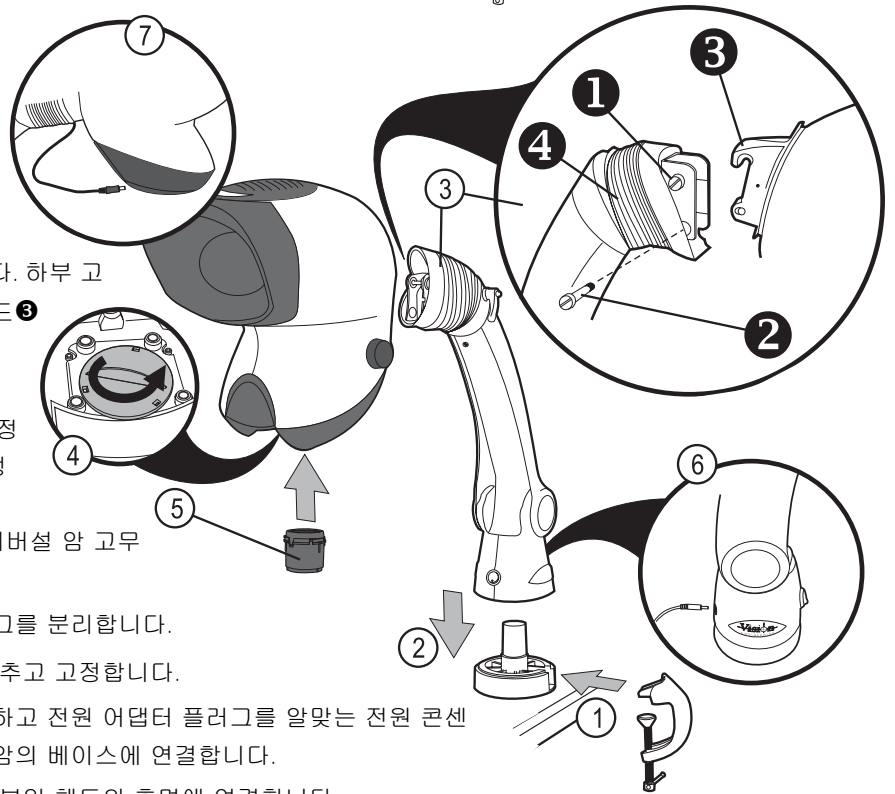
## 조립

- ① 제공된 G-클램프를 사용하거나 마운트의 구멍에 있는 나사를 사용해 유니버설 마운트를 작업면에 고정합니다.
- ② 유니버설 암을 유니버설 마운트의 상부에 놓고 완전히 장착될 때까지 마개 위로 내립니다.
- ③ 유니버설 암의 상부 고정 볼트 ①을 풀고 하부 고정 볼트 ②를 분리합니다. Mantis 뷰잉 헤드 ④의 위치 결정 후크를 유니버설 암의 상부 고정 볼트 위에 주의하여 놓습니다.

볼트가 Mantis 뷰잉 헤드의 하부 위치 결정 마운트를 관통하는지 확인하며 하부 고정 볼트 ②를 교체합니다.

상부 및 하부 고정 볼트를 조인 다음 유니버설 암 고무 게이더 ④를 다시 안착시킵니다.

- ④ 뷰잉 헤드의 하부에서 빨간색 중계 플러그를 분리합니다.
- ⑤ 선택한 대물 렌즈를 대물 렌즈 시트에 맞추고 고정합니다.
- ⑥ 전원 어댑터가 공급 전압에 맞는지 확인하고 전원 어댑터 플러그를 알맞은 전원 콘센트에 연결하고 출력 커넥터를 유니버설 암의 베이스에 연결합니다.
- ⑦ 유니버설 암의 상부에 있는 출력 리드를 뷰잉 헤드의 후면에 연결합니다. 전원 어댑터를 뷰잉 헤드에 직접 연결하지 마십시오.



## 정기 점검

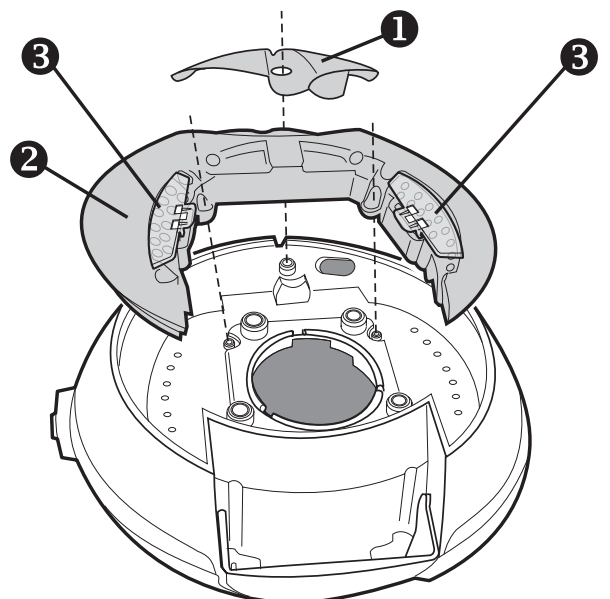
### 방습제 교체

방습제는 광학 헤드의 과도한 수분을 제거합니다.

- ▶ 헤드의 하부에서 전원을 분리합니다.
- ▶ 방습제 덮개 ①을 고정하는 나사를 분리하고 커버를 들어 올립니다.
- ▶ 방습제를 교체합니다.

### LED 어레이

- ▶ 방습제 커버 ①을 분리합니다.
- ▶ LED 어레이 ②를 고정하는 두 개의 십자 나사를 분리하고 필터 ③가 있는 어레이를 분리합니다.
- ▶ 재조립은 분해의 역순으로 수행됩니다.



## 작동

### 개요

전원 스위치 ❶을 켜고 시료를 Mantis 뷰잉 헤드의 아래에 위치시킵니다.

### 초점

유니버설 스탠드 제품의 용도는 계측기의 높이를 편안한 관찰 위치로 설정하는 것이며 그런 다음 시료를 초점 안으로 들어올립니다(보통 손을 사용). 이런 방식으로 최적의 인체 공학적 상태를 유지합니다.

현미경의 높이를 조절하려면 마찰 클램프 ❷를 느슨하게 한 다음 필요한 관찰 위치가 확보될 때까지 뷰잉 헤드를 위 또는 아래로 움직인 후 마찰 클램프를 조입니다.

### 눈과의 간격

눈과의 간격 제거기 ❸를 조정해 편안한 입체화면을 확보합니다.

**주의:** 눈과의 간격 조정은 편안한 관찰을 위해 매우 중요하므로 Mantis 사용자마다 조정되어야 합니다.

### 렌즈 교체

대물 렌즈를 교체하려면 렌즈 ❹를 비틀어 분리합니다. 렌즈를 제공된 용기에 보관합니다..

선택한 대물 렌즈를 대물 렌즈 자리에 맞추고 고정합니다.

### 헤드 수평 조정

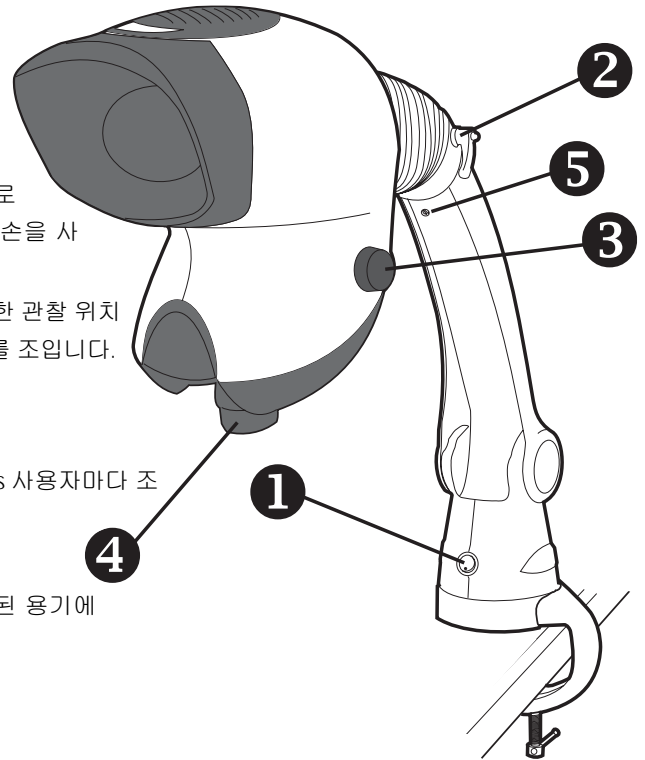
렌즈를 교체했을 경우에는 헤드 수평을 조정할 필요가 있을 수 있습니다. 뷰잉 헤드가 고정되어 위 또는 아래로 흔들리지 않을 때까지 수평 조정 나사 ❺를 돌립니다(가벼운 렌즈는 시계 방향으로, 무거운 렌즈는 시계 반대 방향으로).

### 인체 공학적 관찰

Mantis의 광학 기술이 제공하는 장점을 충분히 활용하려면 인체 공학적 자세를 유지해야 합니다.

Mantis를 설치하는 경우에는 의자와 테이블의 높이에 주의하며 작업 공간을 먼저 정돈합니다.

등을 곳곳이 세워 앉을 때 시야가 Mantis 뷰잉 헤드와 편안하게 맞아야 하고, 팔뚝은 작업면에 올려져야 합니다.



## 일반 관리

- ▶ 사용하지 않을 때는 제공된 먼지 커버로 Mantis를 덮습니다.
- ▶ 부드러운 브러쉬나 청소용 헝겊으로 먼지를 제거합니다.
- ▶ Mantis 렌즈는 렌즈 청소용 헝겊으로 청소해야 합니다.
- ▶ 사용하지 않는 부속품은 먼지가 들어가지 않는 장소에 보관합니다.

### 정비

정비 및 수리 작업은 Vision Engineering 공인 서비스 엔지니어만 수행해야 합니다.

## 보증

본 제품에 대해 최초 구매자에게 발부된 송장에 기록된 날짜로부터 일 년 동안 기기 자체 및 성능상의 결함이 없을 것임을 보증합니다.

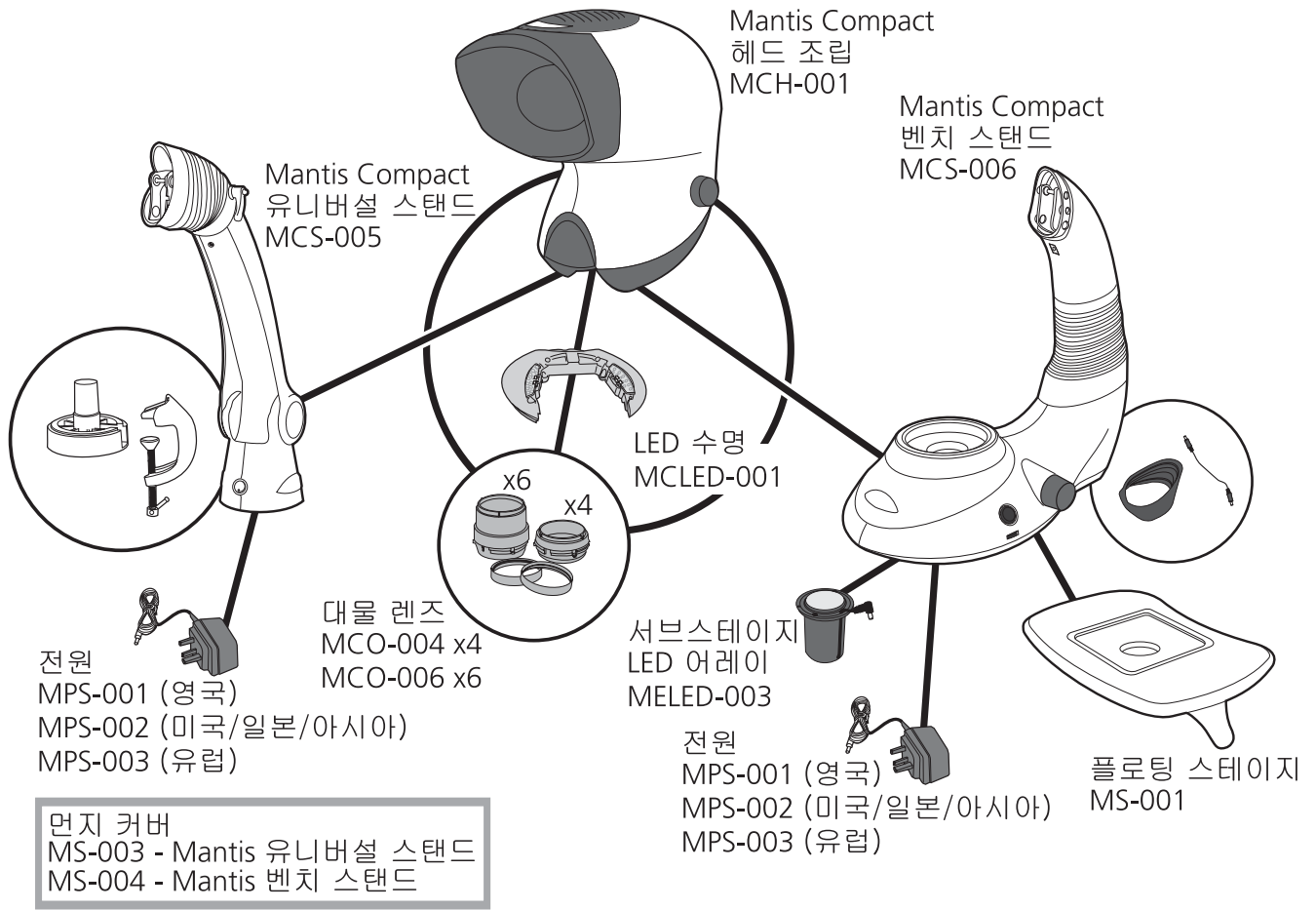
보증 기간 내에 결함이 발견되었을 경우 Vision Engineering사의 서비스 센터나 Vision Engineering사가 지정한 곳에서 수리, 교환할 수 있습니다. 그러나 교환이 불가능한 경우나 수리 비용이 너무 높거나 수리 기간이 너무 길어지는 경우 Vision Engineering사는 제품의 수리 및 교환 대신 제품 가격을 환불해 드리게 됩니다. Vision Engineering사에서 제조되지 않은 부품인 경우 그 부품에 대한 보증 책임은 해당 제조업체에 있습니다. 퓨즈와 같은 소모성 부품은 보증 대상에서 제외됩니다.

운송 중 파손되거나, 잘못된 사용이거나 관리 소홀, 그리고 부주의로 인해 손상이 생긴 경우, 또는 Vision Engineering사가 인정한 수리 직원이 아닌 사람이 임의로 수리하거나 개조하여 손상된 경우는 이 보증서의 적용 대상에서 제외됩니다. 또한 사용자 설명서에서 설명되어 있는 정기 점검과 구매자 측에서 시행하리라 예상되는 다른 사소한 점검 역시 보증 대상에서 제외됩니다.

습기나 먼지, 부식성 화학 약품, 기름이나 기타 이물질의 침전, 부식 등의 주위 조건 또는 기타 Vision Engineering사가 통제할 수 없는 요인으로 인해 제품의 작업 능률이 떨어질 경우에 대해서 당사는 책임을 지지 않습니다.

Vision Engineering사는 법에 명시되어 있거나 암시되어 있는 내용 중 이곳에 기술되어 있는 내용을 제외한 다른 사항에 대해서는 전매 및 특정 목적에의 적합성에 관계없이 아무런 보증도 하지 않습니다. 또한 Vision Engineering사는 어떠한 상황하에서라도 이러한 부적절한 사용으로 인하여 발생하는 부수적 문제 또는 그 결과로 인한 문제들의 기타 손상에 대하여 책임지지 않습니다.

맨티스 컴팩트 제품군



MCO-010 맨티스 컴팩트 1회용 렌즈 보호 뚜껑 (4개 들이)

기술 데이터

대물 렌즈		
대물 렌즈	작동 거리	시계
x4	96mm	27.5mm
x6	73mm	19.2mm

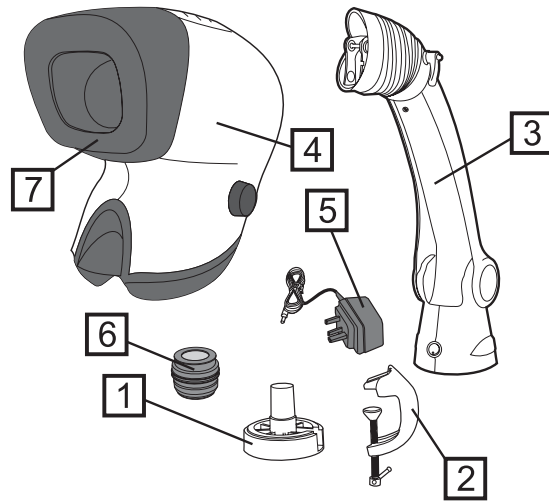
조명 데이터		
컬러 보정 필터를 끼운 상태에서 피사체면에서 측정된 렉스 강도		
20 LEDs	9,400 LUX	10,000시간

전원
9V DC 아답타

악세사리
렌즈 보호 뚜껑
벤치 스탠드용 Floating stage
먼지 커버
교체용 LED 어레이

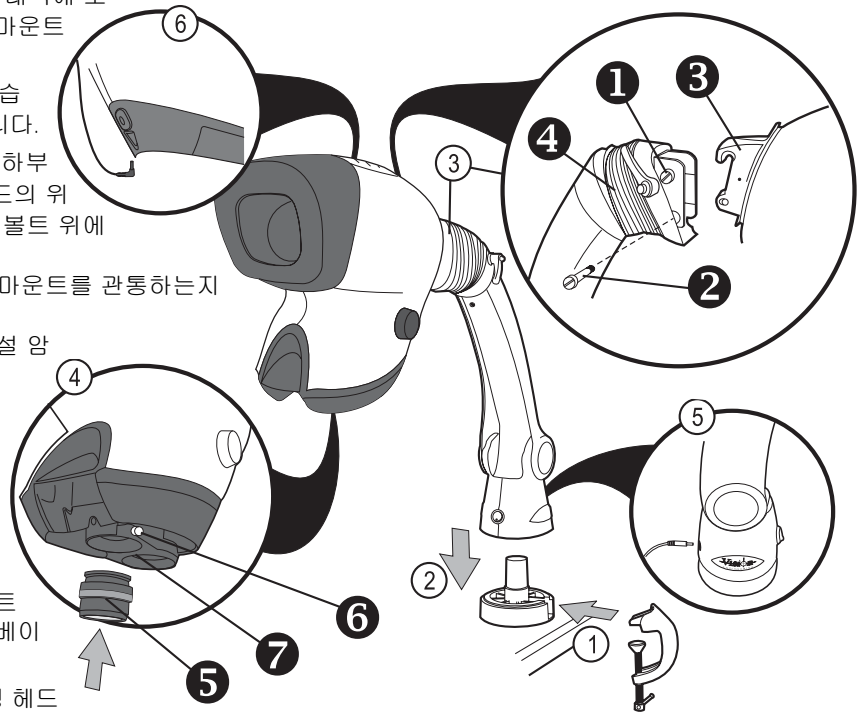
## 포장 내용물

- ① 유니버설 마운트
- ② G-클램프
- ③ 카운터 밸런스형 붐 스탠드
- ④ 뷰잉 헤드
- ⑤ 전원 어댑터
- ⑥ 대물 렌즈
- ⑦ 눈부심 방지 후드



## 조립

- ① 제공된 G-클램프를 사용하거나 마운트의 반대쪽에 보링된 구멍에 있는 나사를 사용해 유니버설 마운트를 작업면에 고정합니다.
- ② 유니버설 암을 유니버설 마운트의 상부에 놓습니다. 완전히 장착될 때까지 마개 위로 내립니다.
- ③ 유니버설 암의 상부 고정 볼트 ①을 풉니다. 하부 고정 볼트 ②를 분리합니다. Mantis 뷰잉 헤드의 위치 결정 후크 ③를 유니버설 암의 상부 고정 볼트 위에 주의하여 놓습니다.  
볼트가 Mantis 뷰잉 헤드의 하부 위치 결정 마운트를 관통하는지 확인하며 하부 고정 볼트를 교체합니다.  
상부 및 하부 고정 볼트를 조인 다음 유니버설 암 고무 게이터 ④를 다시 안착시킵니다.
- ④ 선택한 대물 렌즈 ⑤를 Vision 로고가 전면에 오도록 대물 렌즈 시트에 맞추고 고정 나사 ⑥를 조입니다. 필요시 대물 렌즈 터릿 ⑦을 돌리고 다른 대물 렌즈를 같은 방식으로 맞춥니다.
- ⑤ 전원 어댑터가 공급 전압에 맞는지 확인하고 전원 어댑터 플러그를 알맞는 전원 콘센트에 연결하고 출력 커넥터를 유니버설 암의 베이스에 연결합니다.
- ⑥ 유니버설 암의 상부에 있는 출력 리드를 뷰잉 헤드의 후면에 연결합니다.  
전원을 뷰잉 헤드에 직접 연결하지 마십시오.



## 정기 점검

### 방습제 교체

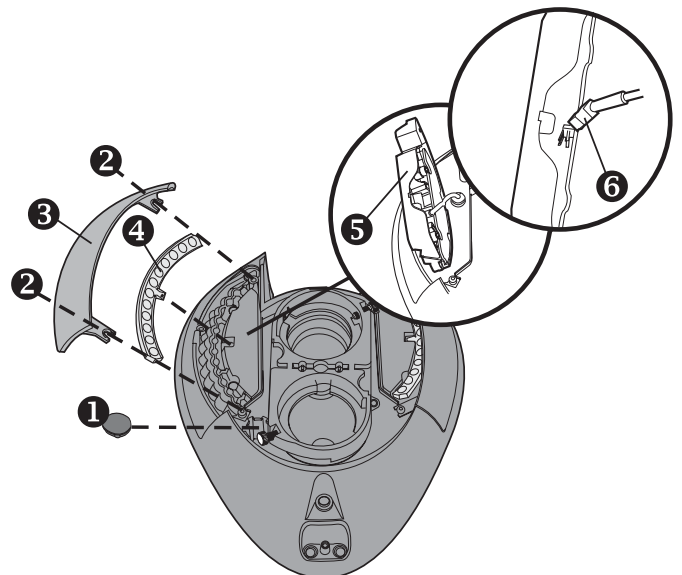
방습제는 광학 헤드의 과도한 수분을 제거합니다.

- ▶ 헤드의 하부에서 전원을 분리합니다.
- ▶ 방습제를 덮고 있는 그로밋 ①을 제거하고 건조제를 제거합니다.

### LED 어레이

LED 어레이의 분리 방법은 어느 면에서나 동일합니다.

- ▶ 헤드의 하부에서 전원을 분리합니다.
- ▶ 필터/어레이 커버 ③를 고정하는 나사 두 개 ②를 풀고 커버를 분리합니다.
- ▶ LED 어레이 ⑤를 들어올리고 뒤집습니다. 어레이 커넥터 ⑥를 분리하고 필터 ④가 있는 LED 어레이를 분리합니다.
- ▶ 재조립은 분해의 역순으로 수행됩니다.





## 작동

### 개요

전원 스위치 ❶을 켜고 시료를 Mantis 뷰잉 헤드의 아래에 위치시킵니다.

### 초점

마찰 클램프 ❷를 느슨하게 한 후 시료 초점이 맞춰질 때까지 뷰잉 헤드를 위 또는 아래로 움직입니다.

초점이 맞춰지면 마찰 클램프를 조입니다.

### 눈과의 간격

눈과의 간격 제어기 ❸를 조정해 편안한 입체화면을 확보합니다.

**주의:** 눈과의 간격 조정은 편안한 관찰을 위해 매우 중요하므로 Mantis 사용자마다 조정되어야 합니다.

### 렌즈 교체

대물 렌즈 ❹를 교체하려면 렌즈 고정 나사 ❺를 풀고 렌즈를 분리합니다. 렌즈를 제공된 용기에 보관합니다.

선택한 대물 렌즈를 대물 렌즈 자리 맞추고 고정 나사를 조입니다.

또는 대물 렌즈를 추가로 사용하려면 대물 렌즈 터릿 ❻을 돌립니다.

### 헤드 수평 조정

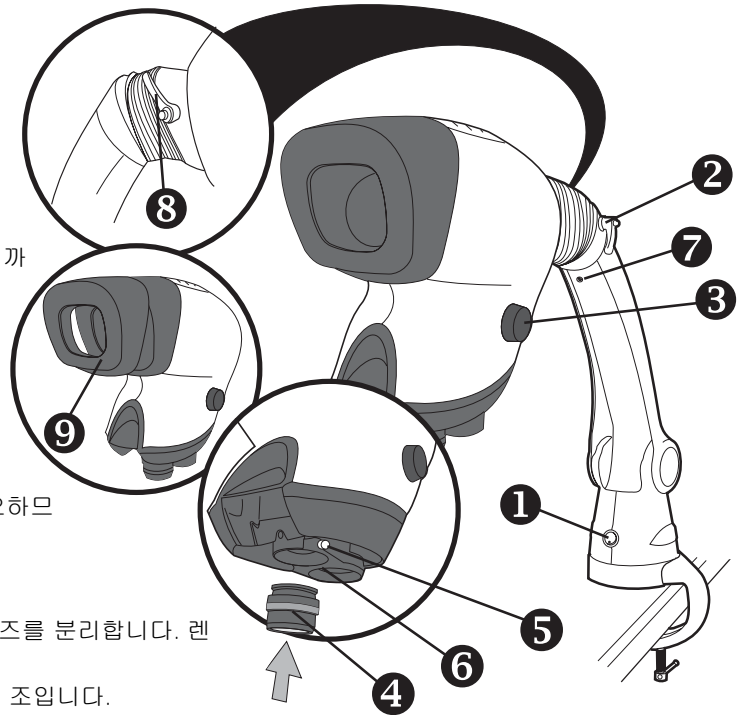
렌즈를 교체했을 경우에는 헤드 수평을 조정할 필요가 있을 수 있습니다. 뷰잉 헤드가 고정되어 위 또는 아래로 흔들리지 않을 때까지 수평 조정 나사 ❼를 돌립니다(가벼운 렌즈는 시계 방향으로, 무거운 렌즈는 시계 반대 방향으로).

### 헤드의 기울기 조절 (옵션)

기울기 조절 마찰 제어기 ❽를 풀고 뷰잉 헤드를 위 또는 아래로 움직여 필요한 위치에 맞춘 다음 마찰 제어기를 조입니다.

### 후드 분리

특정한 조명 환경에서는 눈부심 방지 후드 ❾를 제거하는 것이 관찰에 도움이 될 수 있습니다.



## 일반 관리

- ▶ 사용하지 않을 때는 먼지 커버로 Mantis를 덮습니다.
- ▶ 부드러운 브러쉬나 청소용 헝겊으로 먼지를 제거합니다.
- ▶ Mantis 뷰잉 스크린 및 렌즈는 렌즈 청소용 헝겊으로 청소해야 합니다.
- ▶ 사용하지 않는 부속품은 먼지가 들어가지 않는 장소에 보관합니다.

### 정비

정비 및 수리 작업은 Vision Engineering 공인 서비스 엔지니어만 수행해야 합니다.

## 보증

본 제품에 대해 최초 구매자에게 발부된 송장에 기록된 날짜로부터 일 년 동안 기기 자체 및 성능상의 결함이 없을 것임을 보증합니다.

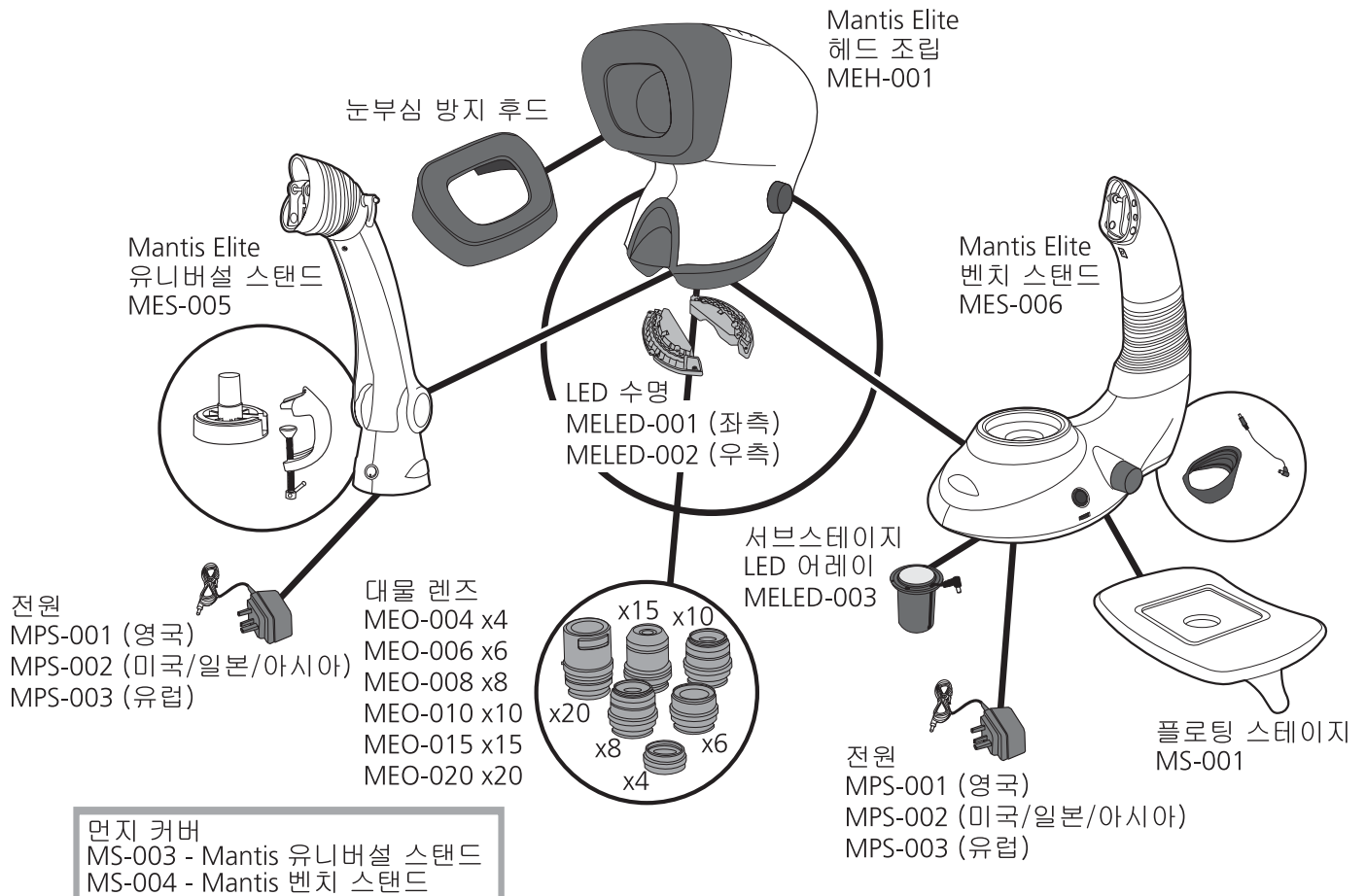
보증 기간 내에 결함이 발견되었을 경우 Vision Engineering사의 서비스 센터나 Vision Engineering사가 지정한 곳에서 수리, 교환할 수 있습니다. 그러나 교환이 불가능한 경우나 수리 비용이 너무 높거나 수리 기간이 너무 길어지는 경우 Vision Engineering사는 제품의 수리 및 교환 대신 제품 가격을 환불해 드릴 수 있습니다. Vision Engineering사에서 제조되지 않은 부품인 경우 그 부품에 대한 보증 책임은 해당 제조업체에 있습니다. 퓨즈와 같은 소모성 부품은 보증 대상에서 제외됩니다.

운송 중 파손되거나, 잘못된 사용이거나 관리 소홀, 그리고 부주의로 인해 손상이 생긴 경우, 또는 Vision Engineering사가 인정한 수리 직원이 아닌 사람이 임의로 수리하거나 개조하여 손상된 경우는 이 보증서의 적용 대상에서 제외됩니다. 또한 사용자 설명서에서 설명되어 있는 정기 점검과 구매자 측에서 시행하리라 예상되는 다른 사소한 점검 역시 보증 대상에서 제외됩니다.

습기나 먼지, 부식성 화학 약품, 기름이나 기타 이물질의 침전, 부식 등의 주위 조건 또는 기타 Vision Engineering사가 통제할 수 없는 요인으로 인해 제품의 작업 능률이 떨어질 경우에 대해서 당사는 책임을 지지 않습니다.

Vision Engineering사는 법에 명시되어 있거나 암시되어 있는 내용 중 이곳에 기술되어 있는 내용을 제외한 다른 사항에 대해서는 전매 및 특정 목적에의 적합성에 관계없이 아무런 보증도 하지 않습니다. 또한 Vision Engineering사는 어떠한 상황하에서라도 이러한 부적절한 사용으로 인하여 발생하는 부수적 문제 또는 그 결과로 인한 문제들의 기타 손상에 대하여 책임지지 않습니다.

# 맨티스 컴팩트 제품 가계도



MEO-025 맨티스 엘리트용 x4, x8, x10 렌즈 보호 뚜껑  
 MEO-026 맨티스 엘리트용 x6 렌즈 보호 뚜껑

## 기술 데이터

대물 렌즈		
대물 렌즈	작동 거리	시계
x4	96mm	34.0mm
x6	68mm	23.0mm
x8	59mm	17.0mm
x10	54mm	13.5mm
x15	40mm	8.8mm
x20	29mm	6.5mm

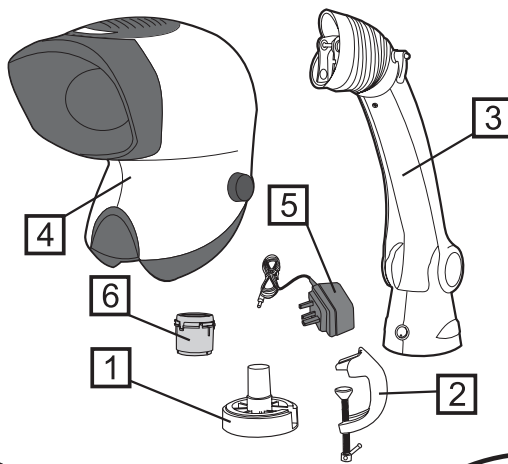
조명 데이터		
컬러 보정 필터를 끼운 상태에서 피사체면에서 측정된 렉스 강도		
24 LEDs	11,000 LUX	10,000시간

전원
9V DC 아답타

악세사리
렌즈 보호 뚜껑 벤치 스탠드용 Floating stage 먼지 커버 교체용 LED 어레이

## Содержимое упаковки

- ❶ Универсальный держатель
- ❷ Струбцина
- ❸ Универсальный штатив
- ❹ Оптическая головка
- ❺ Сетевой адаптер
- ❻ Объектив



## Монтаж

❶ Закрепите универсальный держатель на рабочей поверхности с помощью прилагающейся струбцины или с помощью соответствующих винтов, находящихся в отверстиях держателя.

❷ Поместите универсальный штатив на универсальный держатель и опустите его до упора на центрирующий буртик.

❸ Ослабьте верхний крепежный болт ❶ в универсальном штативе. Удалите нижний крепежный болт ❷. Осторожно поместите установочный крюк ❸ оптической головки Mantis на верхний крепежный болт универсального штатива.

Установите на место нижний крепежный болт ❷, следя за тем, чтобы он прошел через нижнюю установочную опору оптической головки Mantis.

Затяните верхний и нижний крепежные болты, а затем установите на место резиновую манжету универсального штатива ❹.

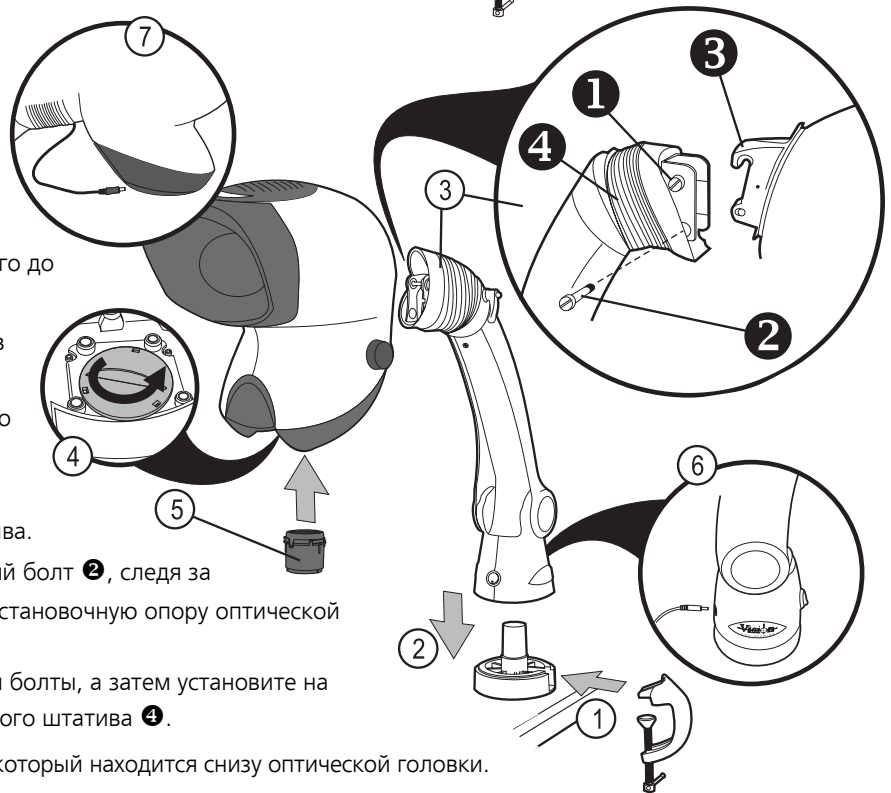
❹ Снимите красный переходный разъем, который находится снизу оптической головки.

❺ Установите выбранный объектив в гнездо объектива и зафиксируйте его.

❻ Убедитесь, что сетевой адаптер соответствует напряжению питания, и подключите его вилку к подходящей сетевой розетке, а выходной разъем – к основанию универсального штатива.

❼ Подключите выходной провод в верхней части универсального штатива к задней части оптической головки.

**Не пытайтесь подключать сетевой адаптер непосредственно к оптической головке.**



## Плановое техническое обслуживание

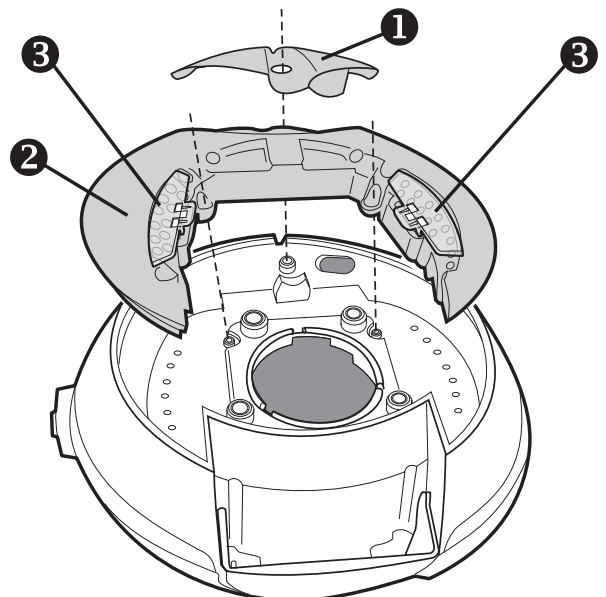
### Замена влагопоглотителя

Влагопоглотитель удаляет излишки влаги из оптической головки.

- ▶ Отключите источник питания от нижней части головки.
- ▶ Удалите винт, крепящий крышку влагопоглотителя ❶, и снимите крышку.
- ▶ Замените влагопоглотитель.

### Светодиодные матрицы

- ▶ Снимите крышку влагопоглотителя ❶.
- ▶ Удалите два винта с крестообразным шлицем, крепящих светодиодную матрицу ❷, и извлеките матрицу вместе с фильтрами.
- ▶ Соберите узел в обратном порядке.



## Эксплуатация

### Обзор

Включите питание системы **1** и поместите объект под оптической головкой Mantis.

### Фокусировка

Изделия на универсальном штативе позволяют установить высоту прибора, обеспечивающую комфортный просмотр, а затем поднять объект (обычно вручную) таким образом, чтобы он находился в фокусе. Это позволяет обеспечить оптимальные эргономические характеристики.

Чтобы установить высоту прибора, ослабьте фиксирующий зажим **2**, а затем переместите оптическую головку вверх или вниз в требуемое положение просмотра, после чего затяните фиксирующий зажим.

### Расстояние между глазами

С помощью ручки регулировки межцентрового расстояния **3** добейтесь комфортного стереоизображения.

**Примечание:** Регулировка межцентрового расстояния очень важна для комфортного просмотра; она должна выполняться индивидуально для каждого пользователя Mantis.

### Смена объективов

Чтобы сменить объектив, выкрутите и снимите объектив **4**. Храните объектив в поставляемом контейнере.

Установите выбранный объектив в гнездо объектива и аккуратно вкрутите его **4**.

### Противовес головки

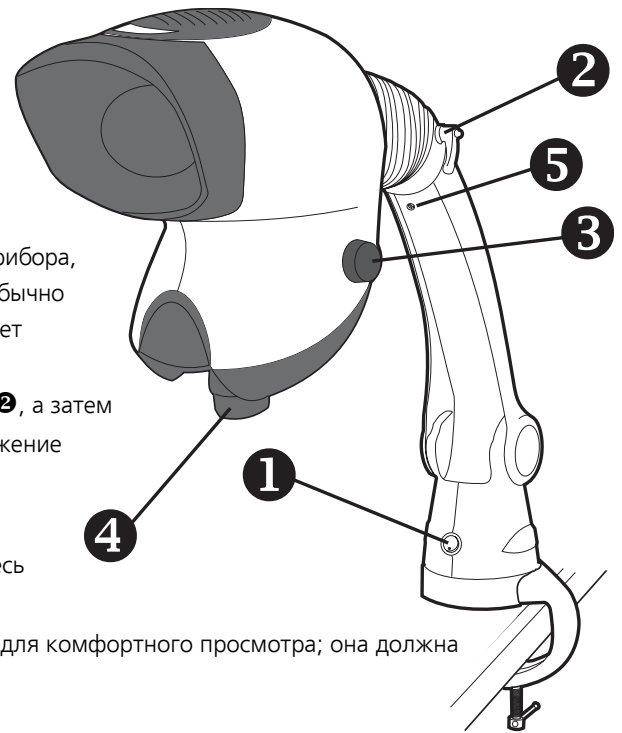
При смене объектива может потребоваться регулировка противовеса головки. С помощью винта противовеса **5** отрегулируйте оптическую головку таким образом, чтобы в незакрепленном состоянии она не двигалась вверх или вниз (поворачивайте винт по часовой стрелке для более легких объективов и против часовой стрелки – для более тяжелых).

### Эргономичный просмотр

Эргономичная конструкция прибора гарантирует, что пользователи в полной мере получают преимущества, предоставляемые оптической технологией Mantis.

При установке прибора Mantis в первую очередь организуйте свое рабочее место, обращая внимание на высоту стула и стола.

В положении сидя с прямой спиной ваши глаза должны комфортно располагаться на одной линии с головкой



## Общий уход

- ▶ Когда прибор Mantis не используется, накрывайте его прилагающимся чехлом.
- ▶ Удаляйте пыль с помощью мягкой щетки или протирочной ткани, кроме объективов.
- ▶ Объективы Mantis следует очищать тканью для протирки оптики.
- ▶ Когда принадлежности не используются, храните их в обеспыленной среде.

### Обслуживание

Обслуживание и ремонт должны выполнять только инженеры по эксплуатационному обслуживанию, уполномоченные Vision Engineering .

## Гарантия

Гарантируется, что данное изделие не будет иметь дефектов материалов и производственных дефектов в течение одного года с момента выдачи счета-фактуры первоначальному покупателю.

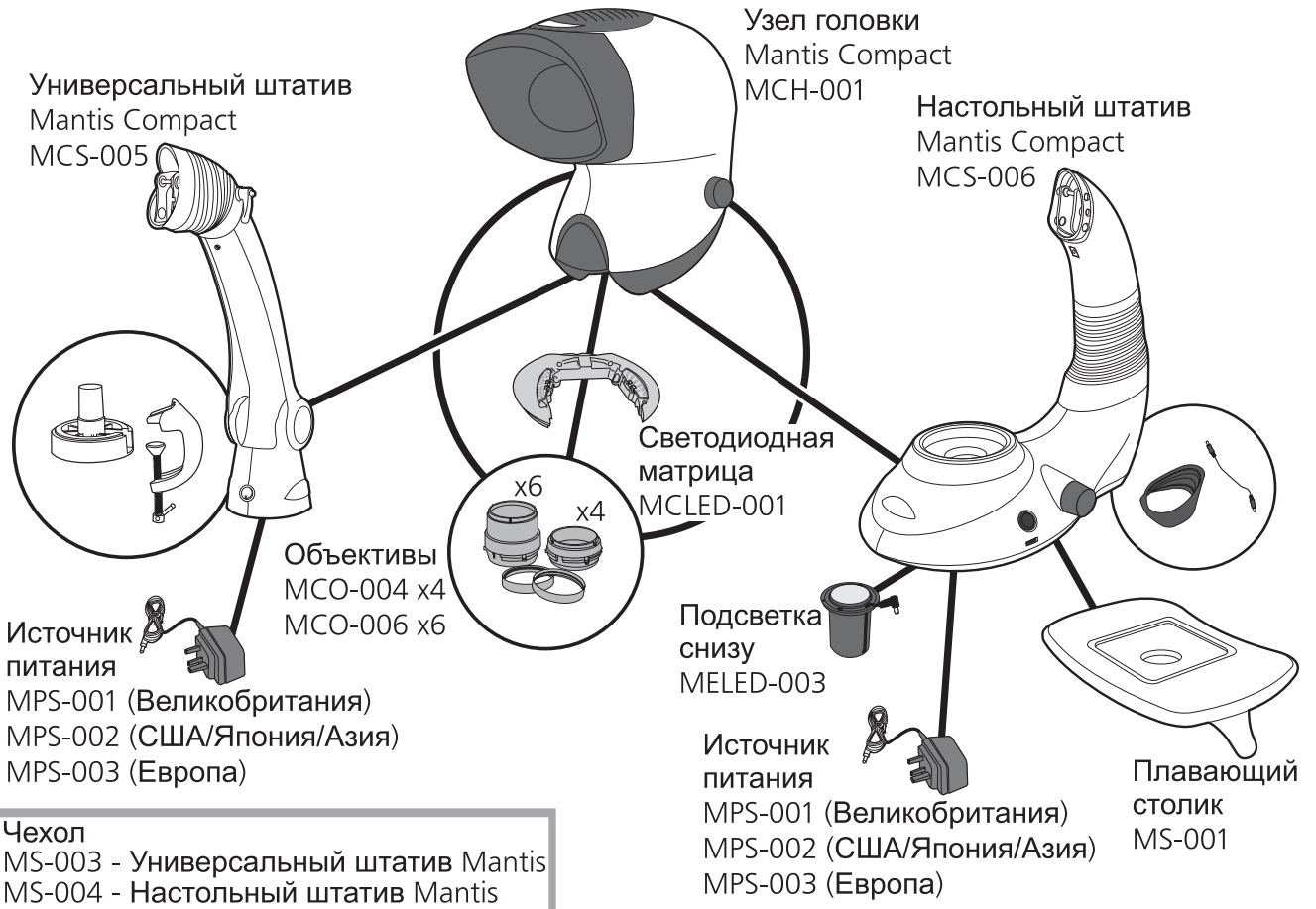
Если в течение гарантийного срока будут обнаружены дефекты изделия, оно будет отремонтировано или заменено на предприятиях Vision Engineering или других, по выбору Vision Engineering. Однако, Vision Engineering оставляет за собой право на возмещение покупной цены, если окажется невозможным обеспечить замену, а ремонт коммерчески не выгоден или не может быть выполнен своевременно. На детали, произведенные не Vision Engineering, распространяется только гарантия их производителя. Гарантия не распространяется на расходные компоненты, такие как предохранители.

Данная гарантия не охватывает повреждения при транспортировке, повреждения, обусловленные неправильным применением, небрежным, неаккуратным использованием, а также повреждения вследствие неправильного обслуживания или модификации лицами, отличными от обслуживающего персонала, утвержденного Vision Engineering. Кроме того, данная гарантия не охватывает какого-либо планового технического обслуживания изделия, рассмотренного в руководстве пользователя, а также любых мелких работ по обслуживанию, которые, как ожидается, разумно выполнять покупателю.

Не принимается никакая-либо ответственность за неудовлетворительные эксплуатационные характеристики вследствие условий окружающей среды, таких как влажность, пыль, коррозионные вещества, отложения масла или других посторонних веществ, утечки, а также другие условия, не зависящие от Vision Engineering.

За исключением указанных здесь, Vision Engineering не дает других гарантий, явно выраженных или подразумеваемых законодательством, относительно перепродажи, пригодности для определенного применения и иных. Кроме того, ни при каких условиях Vision Engineering не несет ответственности за случайные, косвенные и прочие убытки .

# Конфигурации Mantis Compact



MCO-010 Mantis Compact Светофильтры защитные прозрачные (упаковка из 4 штук)

## Технические характеристики

Объективы		
Объективы	Рабочее расстояние	Поле обзора
x4	96mm	27.5mm
x6	73mm	19.2mm

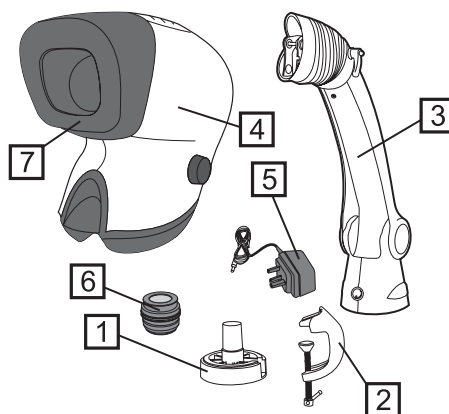
Данные освещения		
Интенсивность освещения, измеренная на предметной пластине с фильтрами цветовой коррекции		
20 LEDs	9,400 LUX	10,000 часов

Источник питания
внешний источник питания 9V DC

Дополнительное оборудование
Светофильтры защитные прозрачные
Плавающий стоик
Чехол
Дополнительный светодиодный осветитель

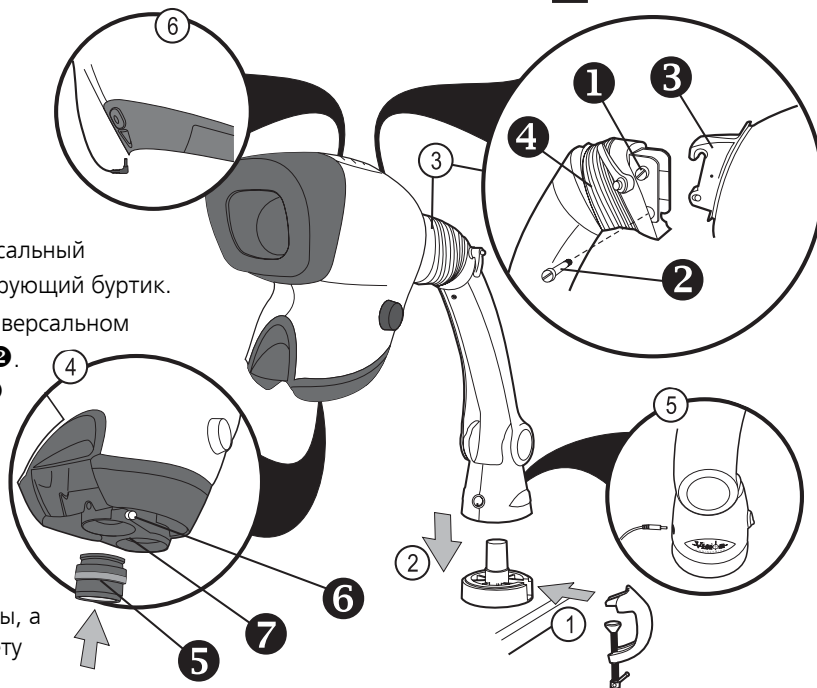
## Содержимое упаковки

- 1 Универсальный держатель
- 2 Струбцина
- 3 Универсальный штатив
- 4 Оптическая головка
- 5 Сетевой адаптер
- 6 Объектив
- 7 Антибликовая насадка



## Монтаж

- 1 Закрепите универсальный держатель на рабочей поверхности с помощью прилагающейся струбины или с помощью соответствующих винтов, находящихся в отверстиях, высверленных в держателе.
- 2 Поместите универсальный штатив на универсальный держатель. Опустите его до упора не центрирующий буртик.
- 3 Ослабьте верхний крепежный болт 1 на универсальном штативе. Удалите нижний крепежный болт 2. Осторожно поместите установочный крюк 3 оптической головки Mantis на верхний крепежный болт универсального штатива. Установите на место нижний крепежный болт, следя за тем, чтобы он прошел через нижнюю установочную опору оптической головки Mantis. Затяните верхний и нижний крепежные болты, а затем установите на место резиновую манжету универсального штатива 4.
- 4 Установите выбранный объектив 5 в гнездо объектива (при этом логотип Vision обязательно должен быть спереди) и затяните зажимной винт 6. При необходимости поверните колонку объективов 7 и установите другой объектив таким же образом.
- 5 Убедитесь, что сетевой адаптер соответствует напряжению питания, и подключите его вилку к подходящей сетевой розетке, а выходной разъем – к основанию универсального штатива.
- 6 Подключите выходной провод в верхней части универсального штатива к задней части оптической головки. **Не пытайтесь подключать источник питания непосредственно к оптической головке.**



## Плановое техническое обслуживание

### Замена влагопоглотителя

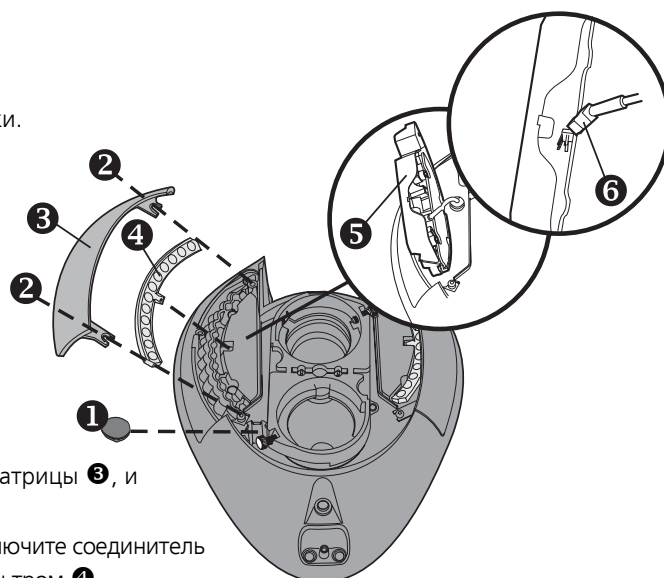
Влагопоглотитель удаляет излишки влаги из оптической головки.

- ▶ Отключите источник питания от нижней части головки.
- ▶ Удалите изоляционную втулку 1, закрывающую влагопоглотитель, и извлеките его.
- ▶ Замените влагопоглотитель и установите на место изоляционную втулку.

### Светодиодные матрицы

Метод извлечения светодиодных матриц идентичен для обеих сторон.

- ▶ Отключите источник питания от нижней части головки.
- ▶ Ослабьте два винта 2, которые крепят крышку фильтра/матрицы 3, и снимите крышку.
- ▶ Поднимите светодиодную матрицу 5 и переверните ее. Отключите соединитель матрицы 6 и извлеките светодиодную матрицу вместе с фильтром 4.
- ▶ Соберите узел в обратном порядке.



## Эксплуатация

### Обзор

Включите питание системы **1** и поместите объект под оптической головкой Mantis.

### Фокусировка

Ослабив фиксирующий зажим **2**, переместите оптическую головку вверх или вниз таким образом, чтобы объект находился в фокусе.

Когда устройство будет сфокусировано, затяните фиксирующий зажим.

### Межцентровое Расстояние

С помощью ручки регулировки межцентрового расстояния **3** добейтесь комфортного стереоизображения.

Примечание: Регулировка межцентрового расстояния очень важна для комфортного просмотра; она должна выполняться индивидуально для каждого пользователя Mantis.

### Смена объективов

Чтобы сменить объектив **4**, ослабьте зажимной винт объектива **5** и снимите объектив. Храните объектив в поставляемом контейнере.

Установите выбранный объектив в гнездо объектива и затяните зажимной винт.

Также можно повернуть турель объективов **6**, чтобы перейти к работе со вторым объективом.

### Противовес головки

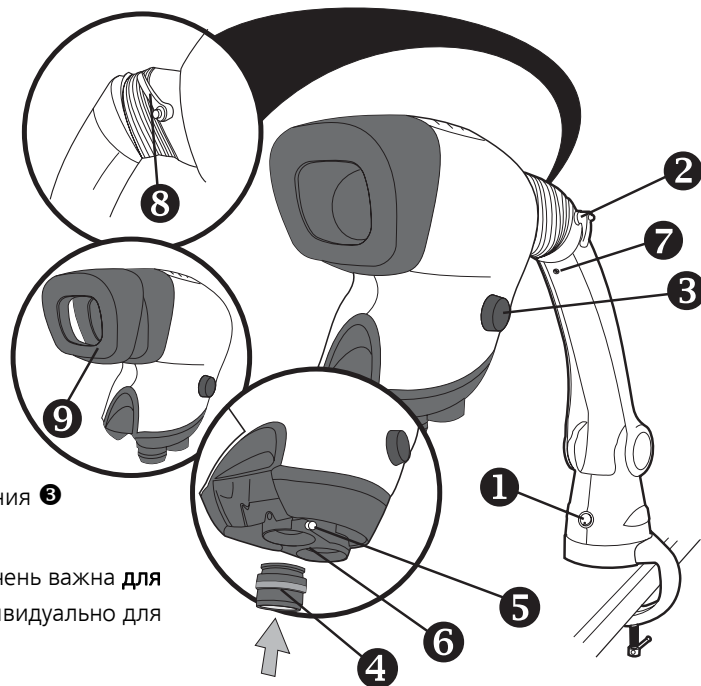
При смене объектива может потребоваться регулировка противовеса головки. С помощью винта противовеса **7** отрегулируйте оптическую головку таким образом, чтобы в незакрепленном состоянии она не двигалась вверх или вниз (поворачивайте винт по часовой стрелке для более легких объективов и против часовой стрелки – для более тяжелых).

### Регулировка наклона головки (опция)

Ослабьте фрикционный фиксатор наклона **8**, переместите оптическую головку вверх или вниз в требуемое положение, а затем затяните фрикционный фиксатор.

### Снятие насадки

В определенных условиях освещения качество изображения можно улучшить, сняв антибликовую насадку **9**.



## Общий уход

- ▶ Когда устройство Mantis не используется, накрывайте чехлом.
- ▶ Удаляйте пыль с помощью мягкой щетки или протирочной ткани, кроме объективов.
- ▶ Экран для визуального наблюдения и объективы Mantis следует очищать тканью для протирки оптики.
- ▶ Когда принадлежности не используются, храните их в обеспыленной среде.

### Обслуживание

Обслуживание и ремонт должны выполнять только инженеры по эксплуатационному обслуживанию, уполномоченные Vision Engineering.

## Гарантия

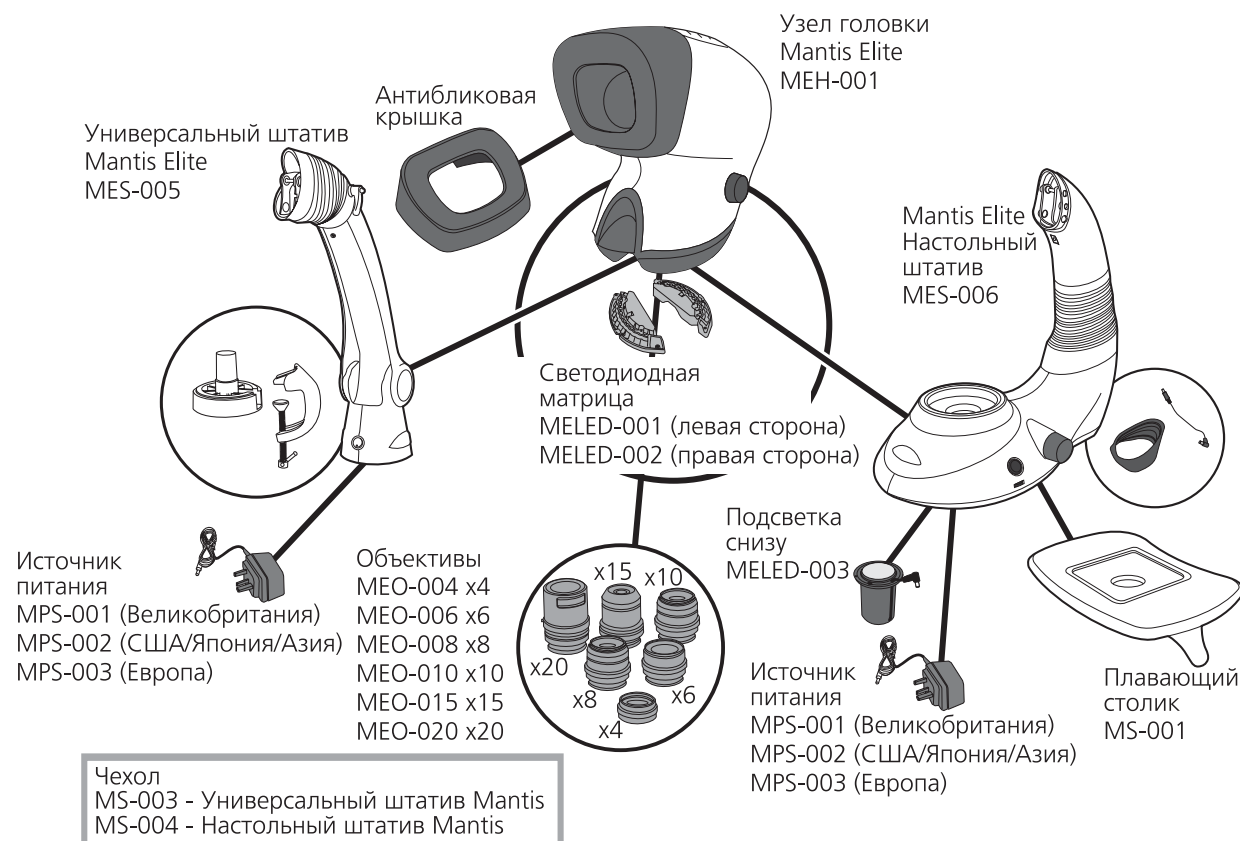
Гарантируется, что данное изделие не будет иметь дефектов материалов и производственных дефектов в течение одного года с момента выдачи счета-фактуры первоначальному покупателю. Если в течение гарантийного срока будут обнаружены дефекты изделия, оно будет отремонтировано или заменено на предприятиях Vision Engineering или других, по выбору Vision Engineering. Однако, Vision Engineering оставляет за собой право на возмещение покупной цены, если окажется невозможным обеспечить замену, а ремонт коммерчески не выгоден или не может быть выполнен своевременно. На детали, произведенные не Vision Engineering, распространяется только гарантия их производителя. Гарантия не распространяется на расходные компоненты, такие как предохранители.

Данная гарантия не охватывает повреждения при транспортировке, повреждения, обусловленные неправильным применением, небрежным, неаккуратным использованием, а также повреждения вследствие неправильного обслуживания или модификации лицами, отличными от обслуживающего персонала, утвержденного Vision Engineering. Кроме того, данная гарантия не охватывает какого-либо планового технического обслуживания изделия, рассмотренного в руководстве пользователя, а также любых мелких работ по обслуживанию, которые, как ожидается, разумно выполнять покупателю.

Не принимается никакая-либо ответственность за неудовлетворительные эксплуатационные характеристики вследствие условий окружающей среды, таких как влажность, пыль, коррозионные вещества, отложения масла или других посторонних веществ, утечки, а также другие условия, не зависящие от Vision Engineering.

За исключением указанных здесь, Vision Engineering не дает других гарантий, явно выраженных или подразумеваемых законодательством, относительно перепродажи, пригодности для определенного применения и иных. Кроме того, ни при каких условиях Vision Engineering не несет ответственности за случайные, косвенные и прочие убытки.

# Конфигурации Mantis Elite



MEO-025 Mantis Elite Светофильтры защитные прозрачные для объективов x4, x8 и x10 (упаковка из 4 штук)  
 MEO-026 Mantis Elite Светофильтры защитные прозрачные для объективов x6 (упаковка из 4 штук)

## Технические характеристики

Объективы		
Объективы	Рабочее расстояние	Поле обзора
x4	96mm	34.0mm
x6	68mm	23.0mm
x8	59mm	17.0mm
x10	54mm	13.5mm
x15	40mm	8.8mm
x20	29mm	6.5mm

Источник питания
внешний источник питания 9V DC

Дополнительное оборудование
Светофильтры защитные прозрачные
Плавающий стоик
Чехол
Дополнительный светодиодный осветитель

Данные освещения		
Интенсивность освещения, измеренная на предметной пластине с фильтрами цветовой коррекции		
24 LEDs	11,000 LUX	10,000 часов