



Circular Fluorescent Vision Illuminator Model Ryf NKL19



- True circular, low-profile, rugged housing
- High-frequency, 25 kHz driver for flicker-free illumination
- Uniform, glare-free and shadow-free illumination
- Large bore for “lens-thru” mounting for Olympus, Nikon and Leica microscopes
- High light output and high color rendition
- Versatile mounting options direct on the Ø 60mm Lens
- 7,000 hours of lamp life

The model NKL19 (Circular Fluorescent Vision Illuminator) is a low profile, industrial grade fluorescent lighting system powered by a high-frequency (25 kHz) driver. With its large thru bore, the NKL19 can accept wider (macro) lenses to provide bright, flicker-free illumination for a variety of needs including imaging, process inspection, assembly, microscopy and a multitude of other machine vision applications.

The Model NKL19 incorporates a lightweight spun aluminum housing and is configured with a universal adapter to fit virtually any microscope or lens type. The adapter may be removed for custom mounting using the three threaded inserts located on the top of the assembly. The true circular fluorescent lamp provides 360° of uniform, shadow-free illumination on the targeted area while the compact housing allows this unit to be mounted in places where other “keyhole” type illuminators would normally not fit.

Standard lamps have a ø 101.6mm outside diameter and are available in a deluxe daylight (5100K), as well as a black light (UV) lamp option. Other wavelength specific colors as well as different white color temperature lamps will be available. (Consult Ryf AG for additional information).





Circular Fluorescent Vision Illuminator Model Ryf NKL19

Technical Specifications:

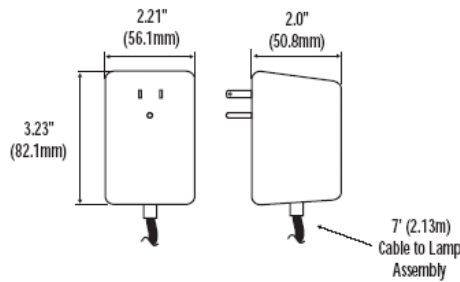
Input power: 18 Watts
 Input voltage (AC): 120 VAC or 220 VAC, 50/60 Hz
 Operating frequency: 25 kHz
 Lamp output power: 16 Watts
 Color temperature: 5100K (deluxe daylight)**
 Lamp life: Greater than 7,000 hours
 Operating temperature: 32 to 104°F (0 to 40°C)
 Humidity range: 0 to 80%; non-condensing
 Agency approvals : CE marked; all 220V units (pending)

Lamp Type: Ø 101mm Circular Fluorescent (16 Watt)

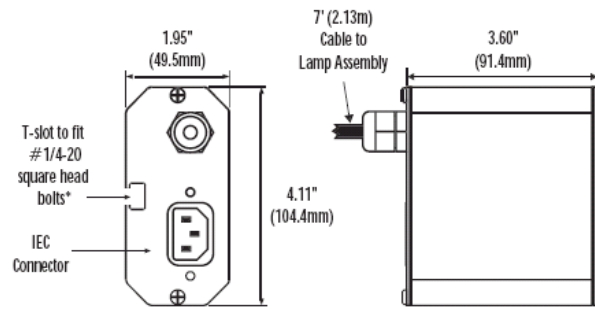
904-320 White 3200K HC* (warm white)
 904-420 White 4200K HC* (cool white)
 904-510 White 5100K (deluxe daylight)**
 904-550 White 5500K HC* (daylight)
 904-365 Black Light Blue , UV (peak wavelength, 365nm)
 904-450 Blue (peak wavelength, 450nm)
 904-544 Green (peak wavelength, 544nm)
 904-658 Red (peak wavelength, 658nm)

* HC indicates High Color Rendition

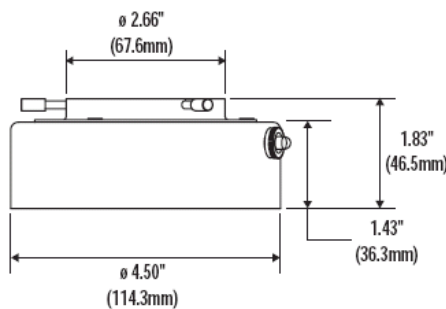
** Standard lamp option



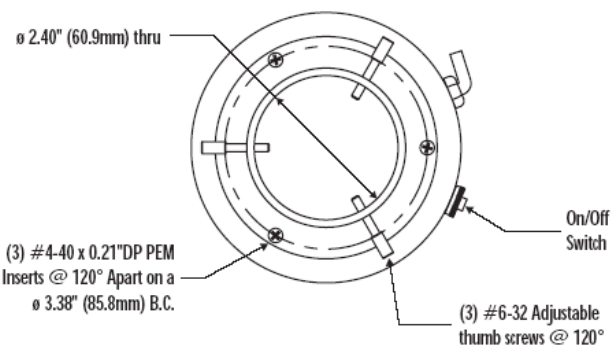
Plug-In Ballast



In-Line Ballast



Side View



Top View