



HF Zirkular-Fluoreszenzlampe Ryf NKL 90 Dome Éclairage fluorescent hf annulaire Ryf NKL 90 Dome



- Diffuse, uniform illumination
- High-frequency (flickerfree) illumination
- Industrial housing design
- 6,000 hours of lamp life
- Versatile mounting options
- Wide range of lamp options
- Ø101mm) or Ø152mm

The Spherical Fluorescent Vision Illuminator (NKL90 Dome) is designed for use in machine vision applications where highly diffuse, uniform illumination is required to detect surface defects on rough and/or specular surfaces. This lamp assembly offers exceptional, flicker-free illumination for applications including pharmaceutical processing, foil inspection, PCB components and watch making part inspection including BGA.

The Ryf NKL90 lamp assembly is available in 101mm) or 152mm) diameter diffusing sphere that incorporates an innovative lamp design to provide full hemispherical illumination. This fluorescent illuminator is offered with a aluminium housing for more industrial environments. The housing is designed with integrated mounting options to fit a variety of applications. Standard lamp options include a variety of white colour temperatures, black light blue (UV) and wavelength specific colours.

The standard, high-frequency (25 kHz) driver is supplied with an in-line style driver unit



HF Zirkular-Fluoreszenzlampe Ryf NKL 90 Dome Éclairage fluorescent hf annulaire Ryf NKL 90 Dome

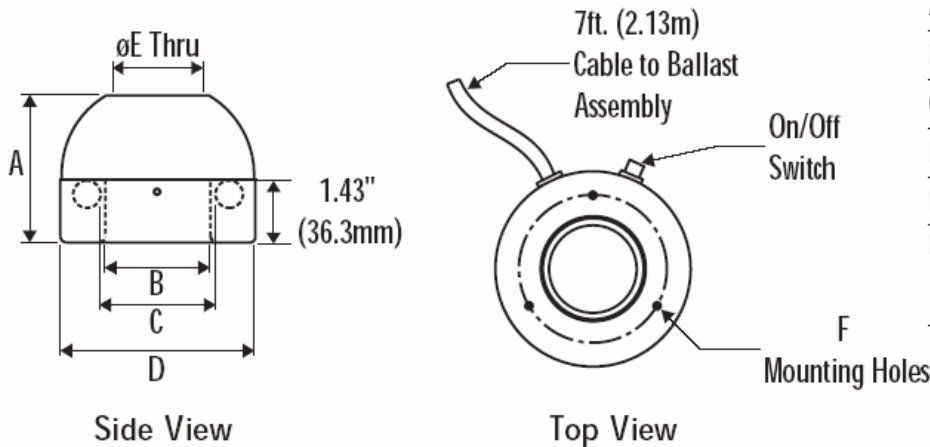
Technical Specifications

Input Power:	ø101mm - 14 Watts ø152mm - 18 Watts
Input Voltage (AC):	120 VAC; 60 Hz or 220 VAC; 50 Hz
Converter Frequency:	25 kHz
Lamp output power:	Ø101mm) - 14 Watts Ø152mm) - 18 Watts
Color Temperature:	5100K for deluxe daylight**
Lamp Life:	6,000 hours
Operating temperature:	32 to 104°F (0 to 40°C)
Humidity range:	0 to 80%; non-condensing
Agency approvals :	CE marked

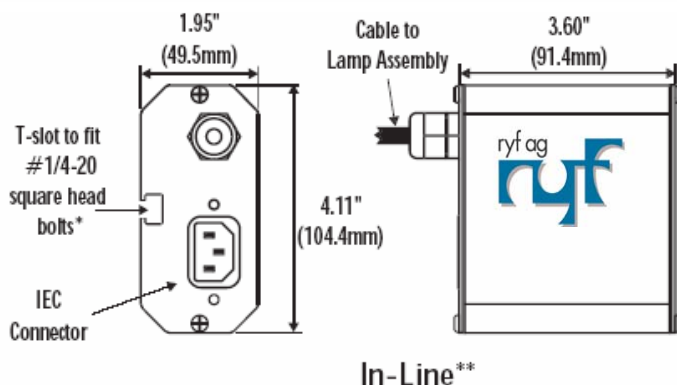
** Standard lamp provided

Lamp Options:

- White 5100K (deluxe daylight)**
- Black Light Blue, UV (peak, 365nm)
- Blue (peak, 450nm)
- Green (peak, 544nm)
- Yellow (peak, 585nm)
- Red (peak, 658nm)



A	3.33" (84.6mm)	4.67" (118.6mm)
B	ø2.40" (61mm)	ø4.00" (101.6mm)
C	ø2.63" (66.7mm)	ø4.63" (117.5mm)
D	ø4.46" (113.3mm)	ø6.90" (175.3mm)
E	ø2.00" (58.4mm)	ø2.313" (58.7mm)
F	(3) #4-40 PEMs; 120° apart on a ø3.38" (85.8mm) B.C	(3) ¼-20 PEMs; 120° apart on a ø5.25" (133.35mm) B.C



In-Line**

Technische Änderungen bleiben vorbehalten. Données techniques sous réserve des modification. 05/05dr