



LED Ring-Light Ryf RL4 -series



**LED Ringlight series
Ryf RL4
for stereo microscopes**



LED Ring-Light Ryf RL4 -series

LED-Ring-Light RL4

The LED-ring light series RL4 has been mainly developed for lighting purposes in the stereo microscopy. Amongst others it is perfectly fitted for applications in quality management and inspection.

The RL4 with a standard diameter of 66mm delivers an uniform, flicker free and shadow free light and is basically suitable for all types of cameras and microscopes. In its basic version the ring light comprises **48 white long life LEDs**. However, the RL4 is also available in product versions with neutral-white, red, green or blue LEDs.

As an accessory a frosted glass diffuser provides a wide spread light without mirror effects. Reduction rings in several sizes enable a perfect adaptation to other diameters down to 50mm.

Main Features

Energy saving and environmentally –friendly illumination technology

- Long LED life span until about 50.000 hours
- Also available with neutral-white, red, green or blue LEDs
- Uniform and shadow free illumination
- Flicker free
- Continous dimming from 0% until 100% with easy-to-use desk top controller (Table Control)
- Adaptable to smaller diameters down to 50mm
- Easy fixing without pressure marks by using a stainless steel screw.
- Equipped with high quality industry connectors with snap locking.
- As an accessory a frosted glass diffuser delivers a wide spread light without mirror effects.



Ryf RL4 white (NW) kit with 4600 - 5600 °K shown w/o Diffusor



made in Germany!

LED Ring-Light Ryf RL4 -series




Technical Data:	
Weight:	0,30 kg
Dimensions:	Ø 66 mm, Hight: 33mm
Operating Voltage	24V DC
LEDs:	48 LEDs
Light Colour:	white, similar to day light
Ø LED Life Span:	about 50.000 hours (according to manufacturer)
Colour Temperature	ca. 6000 - 7000 K
Brightness Control:	continous electronic dimming
Working Distance:	50-150mm
Material:	aluminium and plastic
Colour of housing	black

Delivery Information:	
Dimensions incl. packaging (lxwxh)	255 x 155 x 90
Weight incl. packaging:	0,35 kg
Customs tariff number:	9405409990
Available:	on stock

Contents of Delivery:	
1x LED ring light RL4	
1x Table Control TC250	
1x Mains power supply 24V with industry connector	
1x User manual	

Product versions / order numbers:

Ryf-RL4-NW, No. 100-007394, LED white 4'600 – 5'600°K
Ryf-RL4-R, No. 100-006049, LED red
Ryf-RL4-G, No. 100-006050, LED green
Ryf-RL4-B, No. 100-006051, LED blue

Spare Parts:	
	Knurled screw - M4 x 20 Art. No.: 100-005889
	24V mains power supply with industry connector Operating voltage: 100-240V / 50-60Hz Output voltage: 24V DC Protection class II (double isolated) Art. No.: 100-004900
	Table Control TC250 Art. No.: 100-005170 Table Control TC400 (for RL4-G and-B) Art. No.: 100-006304 Table Control TC600 (for RL4-R) Art. No.: 100-006305 Table Control TC900 (for RL4-IR) Art. No.: 100-005897

Accessories:	
	Reduction rings for adaptation to other Ø: Art. No.: 100-005115 - Ø 50 mm Art. No.: 100-005116 - Ø 52 mm Art. No.: 100-003976 - Ø 54 mm Art. No.: 100-003977 - Ø 56 mm Art. No.: 100-003978 - Ø 58 mm Art. No.: 100-003979 - Ø 60 mm Art. No.: 100-003980 - Ø 62 mm Art. No.: 100-003976 - Ø 64 mm
	Frosted glass diffusor: Art. No.: 100-004522

Similar Products:	
RL4-UV400, Art. No.: 100-005877, LED: UV 400nm	
RL4-UV375, Art. No.: 100-006295, LED: UV 375nm	
RL4-UV365, Art. No.: 100-006300, LED: UV 365nm	
RL4-IR, Art. No.: 100-005896, LED: IR	

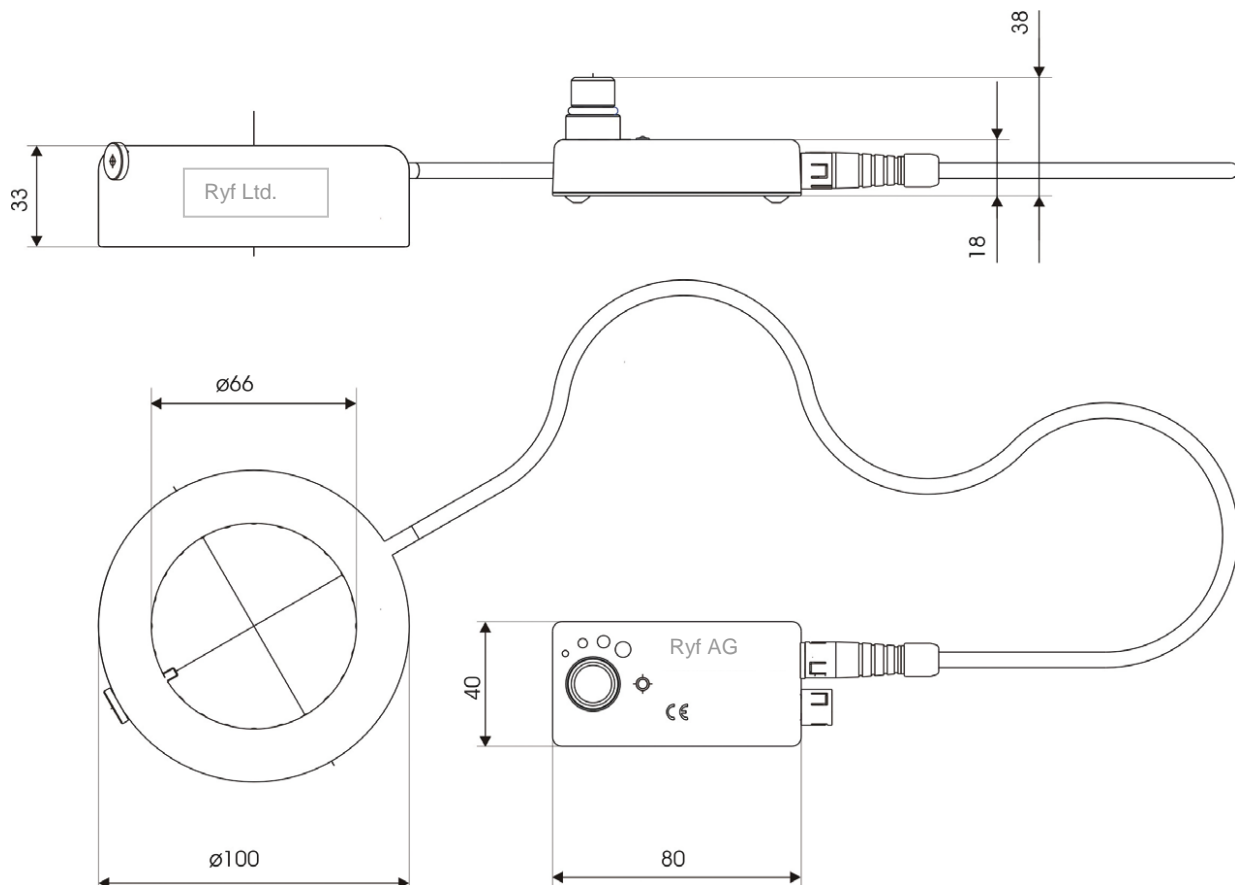




made in Germany!

LED Ring-Light Ryf RL4 -series

Dimension Drawing: (all figures in mm)



RL4 NW Ring Light mounted with a adapter to the Nikon SMZ 745