



PROGRES C14^{plus}

Technical data

KEY FACTS

- CCD
- 12.5 Mpix
- 6.45 x 6.45 μm pixel size
- 2/3" sensor
- 14 bit
- Cooling
- Color-co-site-sampling

SYSTEM REQUIREMENTS

Operating system	WIN (min. 7) MAC (min. 10.8) LINUX Ubuntu (min. 14.04 LTS)
Data interface	Firewire 400, no extra power supply needed
Firewire card	Texas Instruments chip set
Software (included in the package)	PROGRES GRYPHAX®

IMAGE SENSOR

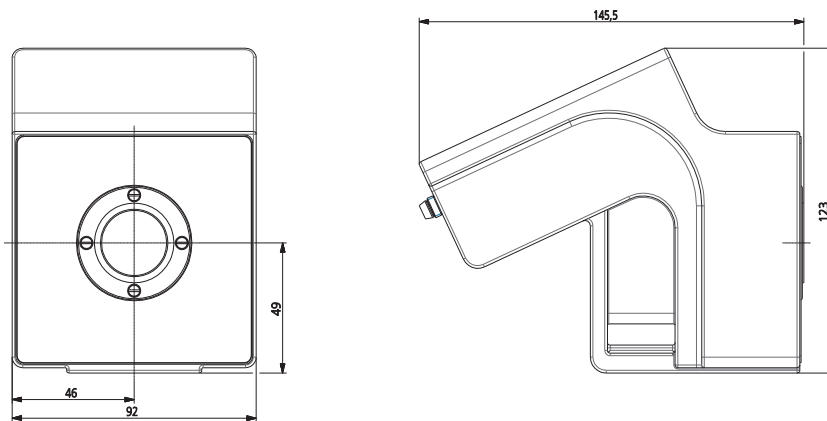
Sensor type sensor square diagonal	CCD 2/3" appr. 11 mm
Pixel dimensions	6.45 x 6.45 μm
Color or monochrome	Color
Transfer method shutter mode	Progressive scan Global shutter
Full sensor resolution	1360 x 1020 pixel

CAMERA

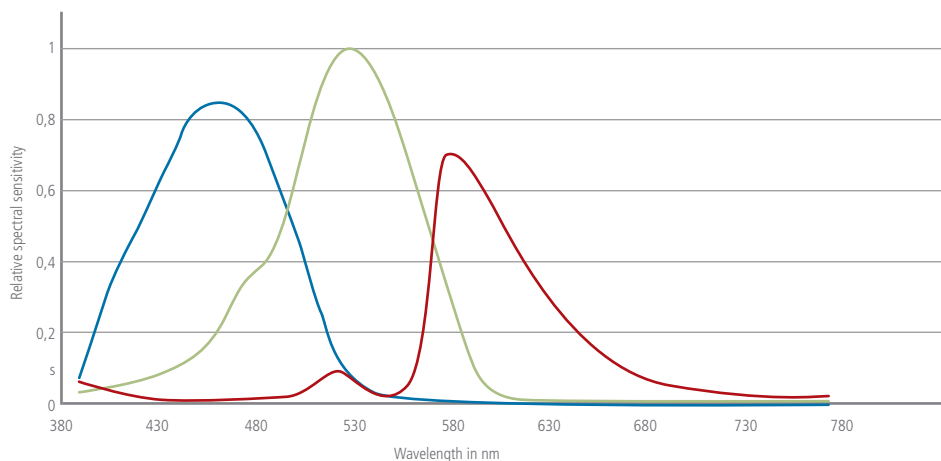
Camera resolution in LIVE mode	HD 1280 x 720 pixel (15 fps)
Camera resolution in RECORD mode	HD 1280 x 720 pixel up to 4080 x 3060 pixel (12.5 Mpix)
Exposure time min. - max.	86 μs - 64 sec.
Gain	Max. 32
A/D conversion	14 bit (16384 grey values)
Absolute sensitivity threshold*	8 e ⁻
Saturation capacity*	16000 e ⁻
Dynamic range*	66 dB

* based on EMVA 1288 standard compliance guidelines

Filter	IR cut I optional clear-glass
Hardware trigger	IN and OUT
Cooling	Peltier and fan I nitrogen flashed sensor capsule
Optical interface	C-mount
Power consumption	Appr. 8 W
Dimensions	145.5 mm x 92 mm x 123 mm
Weight	Appr. 800 g
Storage options	-20°C up to +70°C
Operating temperature	+10°C up to +35°C non condensing
Warranty	24 months
CE conformity / RoHS conformity	Yes



MEASURED RELATIVE SPECTRAL SENSITIVITY*:



PROGRES C14^{plus} IS A PREMIUM SOLUTION FOR:

- Pathology
- Cytology
- Hematology
- Micro-organism
- Biology
- Fluorescence color
- Metallography
- Geology
- Mineralogy
- Quality Control
- Forensics

*based on EMVA 1288 standard compliance guidelines

