

Living up to Life

ryf ag
ryf
Ryf AG
Bettlachstrasse 2
2540 Grenchen
tel 032 654 21 00
fax 032 654 21 09
www.ryfag.ch

Leica
MICROSYSTEMS

Leica StereoZoom[®]

Stereomicroscopes | Technical Information



Technical Data, Performance Characteristics

StereoZoom®	Leica S4 E	Leica S6	Leica S6 E	Leica S6 D
Optical system, lead-free	12°-Greenough using best-corrected central part of the objective	12°-Greenough using best-corrected central part of the objective	12°-Greenough using best-corrected central part of the objective	12°-Greenough using best-corrected central part of the objective
Zoom	4.8:1	6.3:1	6.3:1	6.3:1
Viewing angle	38°	60°	38°	38°
ESD protection	antistatic	antistatic	antistatic	antistatic
Specific surface resistivity	$2 \times 10^{11} \Omega/\text{square}$, discharge time <2 seconds from 1 000 V to 100 V	$2 \times 10^{11} \Omega/\text{square}$, discharge time <2 seconds from 1 000 V to 100 V	$2 \times 10^{11} \Omega/\text{square}$, discharge time <2 seconds from 1 000 V to 100 V	$2 \times 10^{11} \Omega/\text{square}$, discharge time <2 seconds from 1 000 V to 100 V
Magnification range (basic outfit)	6.3x–30x	6.3x–40x	6.3x–40x	6.3x–40x
Maximum resolution	372 lp/mm	432 lp/mm	432 lp/mm	432 lp/mm
Maximum numerical aperture	0.124	0.144	0.144	0.144
Working distance (basic outfit)	110 mm	110 mm	110 mm	110 mm
Object field diameter	36.5 mm	36.5 mm	36.5 mm	36.5 mm
Adjustable zoom limits		2	2	2
Video/photo outlet, switchable				100 % visual or 100 % video/photo and 100 % visual in the left eyepiece
Photography with coaxial light				Yes
Standard objectives, lead-free	Achromats 0.32x, 0.5x, 0.63x, 0.75x, 1.6x, 2.0x	Achromats 0.32x, 0.5x, 0.63x, 0.75x, 1.6x, 2.0x	Achromats 0.32x, 0.5x, 0.63x, 0.75x, 1.6x, 2.0x	Achromats 0.32x, 0.5x, 0.63x, 0.75x, 1.6x, 2.0x
ErgoObjektive™	0.6x–0.75x / 77–137 mm	0.6x–0.75x / 77–137 mm	0.6x–0.75x / 77–137 mm	0.6x–0.75x / 77–137 mm
Adjustable Objectives	0.3x–0.4x / 200–350 mm	0.3x–0.4x / 200–350 mm	0.3x–0.4x / 200–350 mm	0.3x–0.4x / 200–350 mm
Ergonomic eyepieces, fixed and adjustable, with cups	10x/23, 16x/16, 20x/12	10x/23, 16x/16, 20x/12	10x/23, 16x/16, 20x/12	10x/23, 16x/16, 20x/12
Ergonomic eyepieces for eyeglass wearers, adjustable, with eyecups	10x/23, 16x/15, 25x/9.5, 40x/6	10x/23, 16x/15, 25x/9.5, 40x/6	10x/23, 16x/15, 25x/9.5, 40x/6	10x/23, 16x/15, 25x/9.5, 40x/6
Interpupillary distance	55–75 mm	55–75 mm	55–75 mm	55–75 mm

StereoZoom® is a trademark registered in the Principal Register of the US Patent and Trademark Office.

Accessories

Leica S8 APO	Stands, illuminators
12°-Greenough using best-corrected central part of the objective	Incident light stands Antistatic and terminator (dissipating)
8:1, apochromatic	Focusing drives Coarse, fine, inclinable for OEM applications (bonders), adjustable ease of movement
38°	Focusing range 135 mm
antistatic	Microscope carrier Optics carrier rotatable through 360°
2×10 ¹¹ Ω/square, discharge time <2 seconds from 1000 V to 100 V	Swing-arm stands <ul style="list-style-type: none"> • ESD swing-arm stand • Standard swing-arm stand with easy-to-move horizontal arm (ball bearing) • Large Swing-arm stand with easy-glide horizontal arm and crank for comfortable height positioning
10× - 80×	FlexArm For installing the mount on the work table
600 lp/mm	Incident light stand LED2000 Stand with integrated incident light LED illumination (ring-shaped and curved)
0.2	Transmitted light stands Leica TL3000 ST: Bright field and dark field on one side - TL4000 BFD: Bright and circular dark field – TL4000 RC / RCI™: Bright field, single-sided dark field, Rottermann Contrast - TL5000 Ergo: Bright field two-sided dark field, Rottermann Contrast
75 mm	Transmitted light stand LED2500 Stand with integrated incident light LED illumination (ring-shaped and curved) and uniform transmitted light illumination
23 mm	Stages Gliding stage, cup stage, polarizer
2	Illuminators <ul style="list-style-type: none"> • Leica LED3000 RL ring illuminator • Leica LED3000 NVI nearly vertical illumination • Leica LED3000 SLI spotlight illuminator • Leica LED3000 MCI Multi Contrast Illumination • Leica LED3000 BLI backlight illumination • Leica LED3000 DI diffuse illumination • Leica KL300 LED cold-light source for coupling to the stand • Various fiber-optic light guides • Accessories for coaxial, vertical and transmitted light • Leica LED1000 (ring, spot and transmitted light insert)
100 % visual or 100 % video/photo and 100 % visual in the left eyepiece	
Yes	
Apochromats 0.63×, 1.6×, 2.0× Achromat 0.32×	
10×/23, 16×/15, 25×/9.5, 40×/6	
55–75 mm	

Accessories	
Measurement reticules	For length measurement and counting
Vertical/oblique observation (S4 E/S6 models)	All-round 45° side view of the specimen
Objective protective-glass	Protects against dirt and damage
Digital image-recording systems (S6 D/S8 APO)	Various digital image-recording systems for routing to high-end, FireWire Leica DFC camera line
Image archiving and processing software	<ul style="list-style-type: none"> • Leica Application Suite (LAS): Extended Annotation, Interactive Measurements, Live Measurements, Montage, MultiTime, Reticule, Web Sharing
Video (S6 D/S8 APO)	Various video objectives and adapters for commercial CCD cameras

Optical Data StereoZoom® Leica S4 E, S6 E, S6, S6 D

				with additional objectives									
				0.32x		0.5x		0.63x		0.75x		1.6x	
Working distance		110 mm		300 mm		200 mm		155 mm		130 mm		55 mm	
Eyepieces	Zoom-position	Total Magnification	Object field (mm)	Total Magnification	Object field (mm)	Total Magnification	Object field (mm)	Total Magnification	Object field (mm)	Total Magnification	Object field (mm)	Total Magnification	Object field (mm)
10x/23 10 447 130 10 447 131 10 447 136 10 447 137	0.63	6.3	36.5	2.0	115.0	3.2	71.9	4.0	57.5	4.7	48.9	10.1	22.8
	0.8	8.0	28.8	2.6	88.5	4.0	57.5	5.0	46.0	6.0	38.3	12.8	18.0
	1.0	10.0	23.0	3.2	71.9	5.0	46.0	6.3	36.5	7.5	30.7	16.0	14.4
	1.25	12.5	18.4	4.0	57.5	6.3	36.5	7.9	29.1	9.4	24.5	20.0	11.5
	1.6	16.0	14.4	5.1	45.1	8.0	28.8	10.1	22.8	12.0	19.2	25.6	9.0
	2.0	20.0	11.5	6.4	35.9	10.0	23.0	12.6	18.3	15.0	15.3	32.0	7.2
	2.5	25.0	9.2	8.0	28.8	12.5	18.4	15.8	14.6	18.8	12.2	40.0	5.8
	3.0	30.0	7.67	9.6	24.0	15.0	15.3	18.9	12.2	22.5	10.2	48.0	4.79
3.2*	32.0	7.2	10.2	22.5	16.0	14.4	20.2	11.4	24.0	9.6	51.2	4.5	
4.0*	40.0	5.8	12.8	18.0	20.0	11.5	25.2	9.1	30.0	7.7	64.0	3.6	
16x/16 10 447 132 10 447 133	0.63	10.1	25.3	3.2	80.0	5.0	51.2	6.4	40.0	7.6	33.7	16.1	15.9
	0.8	12.8	20.0	4.1	62.4	6.4	40.0	8.1	31.6	9.6	26.7	20.5	12.5
	1.0	16.0	16.0	5.1	50.2	8.0	32.0	10.1	25.3	12.0	21.3	25.6	10.0
	1.25	20.0	12.8	6.4	40.0	10.0	25.6	12.6	20.3	15.0	17.1	32.0	8.0
	1.6	25.6	10.0	8.2	31.2	12.8	20.0	16.1	15.9	19.2	13.3	41.0	6.2
	2.0	32.0	8.0	10.2	25.1	16.0	16.0	20.2	12.7	24.0	10.7	51.2	5.0
	2.5	40.0	6.4	12.8	20.0	20.0	12.8	25.2	10.2	30.0	8.5	64.0	4.0
	3.0	48.0	5.33	15.4	16.7	24.0	10.7	30.2	8.47	36.0	7.11	76.8	3.33
3.2*	51.2	5.0	16.4	15.6	25.6	10.0	32.3	7.9	38.4	6.7	81.9	3.1	
4.0*	64.0	4.0	20.5	12.5	32.0	8.0	40.3	6.4	48.0	5.3	102.4	2.5	
16x/15 B 10 447 138 10 447 139	0.63	10.1	23.8	3.2	74.0	5.0	47.6	6.4	37.8	7.6	31.7	16.1	14.9
	0.8	12.8	18.8	4.1	58.6	6.4	37.5	8.1	29.8	9.6	25.0	20.5	11.7
	1.0	16.0	15.0	5.1	46.9	8.0	30.0	10.1	23.8	12.0	20.0	25.6	9.4
	1.25	20.0	12.0	6.4	37.5	10.0	24.0	12.6	19.0	15.0	16.0	32.0	7.5
	1.6	25.6	9.4	8.2	29.3	12.8	18.8	16.1	14.9	19.2	12.5	41.0	5.8
	2.0	32.0	7.5	10.2	23.4	16.0	15.0	20.2	11.9	24.0	10.0	51.2	4.7
	2.5	40.0	6.0	12.8	18.8	20.0	12.0	25.2	9.5	30.0	8.0	64.0	3.8
	3.0	48.0	5.0	15.4	15.6	24.0	10.0	30.2	7.94	36.0	6.67	76.8	3.13
3.2*	51.2	4.7	16.4	14.6	25.6	9.4	32.3	7.4	38.4	6.2	81.9	2.9	
4.0*	64.0	3.8	20.5	11.7	32.0	7.5	40.3	5.9	48.0	5.0	102.4	2.3	
20x/12 10 447 134 10 447 135	0.63	12.6	19.0	4.0	60.0	6.3	38.1	7.9	30.4	9.5	25.3	20.2	11.9
	0.8	16.0	15.0	5.1	47.1	8.0	30.0	10.1	23.8	12.0	20.0	25.6	9.4
	1.0	20.0	12.0	6.4	37.5	10.0	24.0	12.6	19.0	15.0	16.0	32.0	7.5
	1.25	25.0	9.6	8.0	30.0	12.5	19.2	15.8	15.2	18.8	12.8	40.0	6.0
	1.6	32.0	7.5	10.2	23.5	16.0	15.0	20.2	11.9	24.0	10.0	51.2	4.7
	2.0	40.0	6.0	12.8	18.8	20.0	12.0	25.2	9.5	30.0	8.0	64.0	3.8
	2.5	50.0	4.8	16.0	15.0	25.0	9.6	31.5	7.6	37.5	6.4	80.0	3.0
	3.0	60.0	4.0	19.2	12.5	30.0	8.0	37.8	6.35	45.0	5.33	96.0	2.5
3.2*	64.0	3.8	20.5	11.7	32.0	7.5	40.3	6.0	48.0	5.0	102.4	2.3	
4.0*	80.0	3.0	25.6	9.4	40.0	6.0	50.4	4.8	60.0	4.0	128.0	1.9	
25x/9.5 B 10 450 025	0.63	15.8	15.0	5.0	47.5	7.9	30.1	9.9	24.0	11.8	20.1	25.2	9.4
	0.8	20.0	11.9	6.4	37.1	10.0	23.8	12.6	18.8	15.0	15.8	32.0	7.4
	1.0	25.0	9.5	8.0	29.7	12.5	19.0	15.8	15.0	18.8	12.6	40.0	5.9
	1.25	31.3	7.6	10.0	23.8	15.6	15.2	19.7	12.1	23.4	10.1	50.0	4.8
	1.6	40.0	5.9	12.8	18.6	20.0	11.9	25.2	9.4	30.0	7.9	64.0	3.7
	2.0	50.0	4.8	16.0	14.8	25.0	9.5	31.5	7.5	37.5	6.3	80.0	3.0
	2.5	62.5	3.8	20.0	11.9	31.3	7.6	39.4	6.0	46.9	5.1	100.0	2.4
	3.0	75.0	3.17	24.0	9.9	37.5	6.33	47.3	5.03	56.3	4.22	120.0	1.98
3.2*	80.0	3.0	25.6	9.3	40.0	5.9	50.4	4.7	60.0	4.0	128.0	1.9	
4.0*	100.0	2.4	32.0	7.4	50.0	4.8	63.0	3.8	75.0	3.2	160.0	1.5	
40x/6 B 10 450 026	0.63	25.2	9.5	8.1	29.6	12.6	19.0	15.9	15.1	18.9	12.7	40.3	6.0
	0.8	32.0	7.5	10.2	23.5	16.0	15.0	20.2	11.9	24.0	10.0	51.2	4.7
	1.0	40.0	6.0	12.8	18.8	20.0	12.0	25.2	9.5	30.0	8.0	64.0	3.8
	1.25	50.0	4.8	16.0	15.0	25.0	9.6	31.5	7.6	37.5	6.4	80.0	3.0
	1.6	64.0	3.8	20.5	11.7	32.0	7.5	40.3	6.0	48.0	5.0	102.4	2.3
	2.0	80.0	3.0	25.6	9.4	40.0	6.0	50.4	4.8	60.0	4.0	128.0	1.9
	2.5	100.0	2.4	32.0	7.5	50.0	4.8	63.0	3.8	75.0	3.2	160.0	1.5
	3.0	120.0	2.0	38.4	6.25	60.0	4.0	75.6	3.17	90.0	2.67	192.0	1.25
3.2*	128.0	1.9	41.0	5.9	64.0	3.8	80.6	3.0	96.0	2.5	204.8	1.2	
4.0*	160.0	1.5	51.2	4.7	80.0	3.0	100.8	2.4	120.0	2.0	256.0	0.9	

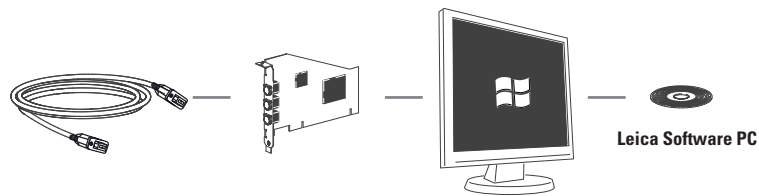
* Zoom position 4.0 and 3.2 only for S6 models

with additional objectives													
2.0x		0.3x–0.4x		0.3x–0.4x		0.6x–0.75x		0.6x–0.75x		0.7x–1.0x		0.7x–1.0x	
35 mm		200 mm		350 mm		77 mm		137 mm		48 mm		98 mm	
Total Magnification	Object field (mm)	Total Magnification	Object field (mm)	Total Magnification	Object field (mm)	Total Magnification	Object field (mm)	Total Magnification	Object field (mm)	Total Magnification	Object field (mm)	Total Magnification	Object field (mm)
12.6	18.3	2.5	92.0	1.8	127.8	4.7	48.9	3.5	65.7	6.2	37.1	4.5	51.1
16.0	14.4	3.1	74.2	2.2	104.5	6.0	38.3	4.5	51.1	7.9	29.1	5.7	40.4
20.0	11.5	3.9	59.0	2.8	82.1	7.5	30.7	5.6	41.1	9.9	23.2	7.1	32.4
25.0	9.2	4.9	46.9	3.5	65.7	9.4	24.5	7.0	32.9	12.4	18.5	8.9	25.8
32.0	7.2	6.2	37.1	4.5	51.1	12.0	19.2	9.0	25.6	15.8	14.6	11.4	20.2
40.0	5.8	7.8	29.5	5.6	41.1	15.0	15.3	11.2	20.5	19.8	11.6	14.2	16.2
50.0	4.6	9.8	23.5	7.0	32.9	18.8	12.2	14.0	16.4	24.8	9.3	17.8	12.9
60.0	3.83	11.7	19.7	8.4	27.4	22.5	10.2	16.8	13.7	29.7	7.74	21.3	10.8
64.0	3.6	12.5	18.4	9.0	25.6	24.0	9.6	17.9	12.8	31.7	7.3	22.7	10.1
80.0	2.9	15.6	14.7	11.2	20.5	30.0	7.7	22.4	10.3	39.6	5.8	28.4	8.1
20.2	12.7	3.9	65.6	2.8	91.4	7.6	33.7	5.6	45.7	10.0	25.6	7.2	35.6
25.6	10.0	5.0	51.2	3.6	71.1	9.6	26.7	7.2	35.6	12.7	20.2	9.1	28.1
32.0	8.0	6.2	41.3	4.5	56.9	12.0	21.3	9.0	28.4	15.8	16.2	11.4	22.5
40.0	6.4	7.8	32.8	5.6	45.7	15.0	17.1	11.2	22.9	19.8	12.9	14.2	18.0
51.2	5.0	10.0	25.6	7.2	35.6	19.2	13.3	14.3	17.9	25.3	10.1	18.2	14.1
64.0	4.0	12.5	20.5	9.0	28.4	24.0	10.7	17.9	14.3	31.7	8.1	22.7	11.3
80.0	3.2	15.6	16.4	11.2	22.9	30.0	8.5	22.4	11.4	39.6	6.5	28.4	9.0
96.0	2.67	18.7	13.7	13.4	19.0	36.0	7.11	26.9	9.52	47.5	5.39	34.1	7.51
102.4	2.5	20.0	12.8	14.3	17.9	38.4	6.7	28.7	8.9	50.7	5.0	36.4	7.0
128.0	2.0	25.0	10.2	17.9	14.3	48.0	5.3	35.8	7.2	63.4	4.0	45.4	5.6
20.2	11.9	3.9	61.5	2.8	85.7	7.6	31.6	5.6	42.9	10.0	24.0	7.2	33.3
25.6	9.4	5.0	48.0	3.6	66.6	9.6	25.0	7.2	33.3	12.7	18.9	9.1	26.4
32.0	7.5	6.2	38.7	4.5	53.4	12.0	20.0	9.0	26.7	15.8	15.2	11.4	21.0
40.0	6.0	7.8	30.8	5.6	42.9	15.0	16.0	11.2	21.4	19.8	12.1	14.2	16.9
51.2	4.7	10.0	24.0	7.2	33.3	19.2	12.5	14.3	16.8	25.3	9.5	18.2	13.2
64.0	3.8	12.5	19.2	9.0	26.7	24.0	10.0	17.9	13.4	31.7	7.6	22.7	10.6
80.0	3.0	15.6	15.4	11.2	21.4	30.0	8.0	22.4	10.7	39.6	6.1	28.4	8.5
96.0	2.5	18.7	12.8	13.4	17.9	36.0	6.67	26.9	8.93	47.5	5.05	34.1	7.04
102.4	2.3	20.0	12.0	14.3	16.8	38.4	6.2	28.7	8.4	50.7	4.7	36.4	6.6
128.0	1.9	25.0	9.6	17.9	13.4	48.0	5.0	35.8	6.8	63.4	3.8	45.4	5.3
25.2	9.5	4.9	49.0	3.5	68.6	9.5	25.3	7.1	33.8	12.5	19.2	8.9	27.0
32.0	7.5	6.2	38.7	4.5	53.3	12.0	20.0	9.0	26.7	15.8	15.2	11.4	21.1
40.0	6.0	7.8	30.8	5.6	42.9	15.0	16.0	11.2	21.4	19.8	12.1	14.2	16.9
50.0	4.8	9.8	24.5	7.0	34.3	18.8	12.8	14.0	17.1	24.8	9.7	17.8	13.5
64.0	3.8	12.5	19.2	9.0	26.7	24.0	10.0	17.9	13.4	31.7	7.6	22.7	10.6
80.0	3.0	15.6	15.4	11.2	21.4	30.0	8.0	22.4	10.7	39.6	6.1	28.4	8.5
100.0	2.4	19.5	12.3	14.0	17.1	37.5	6.4	28.0	8.6	49.5	4.8	35.5	6.8
120.0	2.0	23.4	10.3	16.8	14.3	45.0	5.33	33.6	7.14	59.4	4.04	42.6	5.63
128.0	1.9	25.0	9.6	17.9	13.4	48.0	5.0	35.8	6.7	63.4	3.8	45.4	5.3
160.0	1.5	31.2	7.7	22.4	10.7	60.0	4.0	44.8	5.4	79.2	3.0	56.8	4.2
31.5	7.5	6.1	38.9	4.4	54.0	11.8	20.1	8.8	27.0	15.6	15.2	11.2	21.2
40.0	5.9	7.8	30.4	5.6	42.4	15.0	15.8	11.2	21.2	19.8	12.0	14.2	16.7
50.0	4.8	9.8	24.2	7.0	33.9	18.8	12.6	14.0	17.0	24.8	9.6	17.8	13.3
62.5	3.8	12.2	19.5	8.8	27.0	23.4	10.1	17.5	13.6	30.9	7.7	22.2	10.7
80.0	3.0	15.6	15.2	11.2	21.2	30.0	7.9	22.4	10.6	39.6	6.0	28.4	8.4
100.0	2.4	19.5	12.2	14.0	17.0	37.5	6.3	28.0	8.5	49.5	4.8	35.5	6.7
125.0	1.9	24.4	9.7	17.5	13.6	46.9	5.1	35.0	6.8	61.9	3.8	44.4	5.3
150.0	1.58	29.3	8.12	21.0	11.3	56.3	4.22	42.0	5.65	74.3	3.2	53.3	4.46
160.0	1.5	31.2	7.6	22.4	10.6	60.0	4.0	44.8	5.3	79.2	3.0	56.8	4.2
200.0	1.2	39.0	6.1	28.0	8.5	75.0	3.2	56.0	4.2	99.0	2.4	71.0	3.3
50.4	4.8	9.8	24.5	7.1	33.8	18.9	12.7	14.1	17.0	24.9	9.6	17.9	13.4
64.0	3.8	12.5	19.2	9.0	26.7	24.0	10.0	17.9	13.4	31.7	7.6	22.7	10.6
80.0	3.0	15.6	15.4	11.2	21.4	30.0	8.0	22.4	10.7	39.6	6.1	28.4	8.5
100.0	2.4	19.5	12.3	14.0	17.1	37.5	6.4	28.0	8.6	49.5	4.8	35.5	6.8
128.0	1.9	25.0	9.6	17.9	13.4	48.0	5.0	35.8	6.7	63.4	3.8	45.4	5.3
160.0	1.5	31.2	7.7	22.4	10.7	60.0	4.0	44.8	5.4	79.2	3.0	56.8	4.2
200.0	1.2	39.0	6.2	28.0	8.6	75.0	3.2	56.0	4.3	99.0	2.4	71.0	3.4
240.0	1.0	46.8	5.13	33.6	7.14	90.0	2.67	67.2	3.57	119.0	2.02	85.2	2.82
256.0	0.9	49.9	4.8	35.8	6.7	96.0	2.5	71.7	3.3	126.7	1.9	90.9	2.6
320.0	0.8	62.4	3.8	44.8	5.4	120.0	2.0	89.6	2.7	158.4	1.5	113.6	2.1

Optical Data Leica StereoZoom® S8 APO

				Apochromat						Achromat	
				0.63×		1.6×		2.0×		0.32×	
Working distance		75 mm		101 mm		37 mm		25 mm		200 mm	
Eyepieces	Zoom-position	Total magnification	Object field (mm)	Total magnification	Object field (mm)	Total magnification	Object field (mm)	Total magnification	Object field (mm)	Total magnification	Object field (mm)
10×/23 10 447 130 10 447 131 10 447 136 10 447 137	1.0	10.0	23.0	6.3	36.5	16.0	14.4	20.0	11.5	3.2	71.9
	1.25	12.5	18.4	7.9	29.1	20.0	11.5	25.0	9.2	4.0	57.5
	1.6	16.0	14.4	10.1	22.8	25.6	9.0	32.0	7.2	5.1	45.1
	2.0	20.0	11.5	12.6	18.3	32.0	7.2	40.0	5.8	6.4	35.9
	2.5	25.0	9.2	15.8	14.6	40.0	5.8	50.0	4.6	8.0	28.8
	3.2	32.0	7.2	20.2	11.4	51.2	4.5	64.0	3.6	10.2	22.5
	4.0	40.0	5.8	25.2	9.1	64.0	3.6	80.0	2.9	12.8	18.0
	5.0	50.0	4.6	31.5	7.3	80.0	2.9	100.0	2.3	16.0	14.4
6.3	63.0	3.7	39.7	5.8	100.8	2.3	126.0	1.8	20.2	11.4	
8.0	80.0	2.9	50.4	4.6	128.0	1.8	160.0	1.4	25.6	9.0	
16×/16 10 447 132 10 447 133	1.0	16.0	16.0	10.1	25.3	25.6	10.0	32.0	8.0	5.1	43.9
	1.25	20.0	12.8	12.6	20.3	32.0	8.0	40.0	6.4	6.4	35.0
	1.6	25.6	10.0	16.1	15.9	41.0	6.2	51.2	5.0	8.2	27.3
	2.0	32.0	8.0	20.2	12.7	51.2	5.0	64.0	4.0	10.2	22.0
	2.5	40.0	6.4	25.2	10.2	64.0	4.0	80.0	3.2	12.8	17.5
	3.2	51.2	5.0	32.3	7.9	81.9	3.1	102.4	2.5	16.4	13.7
	4.0	64.0	4.0	40.3	6.4	102.4	2.5	128.0	2.0	20.5	10.9
	5.0	80.0	3.2	50.4	5.1	128.0	2.0	160.0	1.6	25.6	8.8
6.3	100.8	2.5	63.5	4.0	161.3	1.6	201.6	1.3	32.3	6.9	
8.0	128.0	2.0	80.6	3.2	204.8	1.3	256.0	1.0	41.0	5.5	
16×/15 B 10 447 138 10 447 139	1.0	16.0	15.0	10.1	23.7	25.6	9.4	32.0	7.5	5.1	41.2
	1.25	20.0	12.0	12.6	19.0	32.0	7.5	40.0	6.0	6.4	32.8
	1.6	25.6	9.4	16.1	14.9	41.0	5.8	51.2	4.7	8.2	25.6
	2.0	32.0	7.5	20.2	11.9	51.2	4.7	64.0	3.8	10.2	20.6
	2.5	40.0	6.0	25.2	9.6	64.0	3.8	80.0	3.0	12.8	16.4
	3.2	51.2	4.7	32.3	7.4	81.9	2.9	102.4	2.3	16.4	12.8
	4.0	64.0	3.8	40.3	6.0	102.4	2.3	128.0	1.9	20.5	10.2
	5.0	80.0	3.0	50.4	4.8	128.0	1.9	160.0	1.5	25.6	8.3
6.3	100.8	2.3	63.5	3.8	161.3	1.5	201.6	1.2	32.3	6.5	
8.0	128.0	1.9	80.6	3.0	204.8	1.2	256.0	0.9	41.0	5.2	
20×/12 10 447 134 10 447 135	1.0	20.0	12.0	12.6	19.0	32.0	7.5	40.0	6.0	6.4	37.5
	1.25	25.0	9.6	15.8	15.2	40.0	6.0	50.0	4.8	8.0	30.0
	1.6	32.0	7.5	20.2	11.9	51.2	4.7	64.0	3.8	10.2	23.5
	2.0	40.0	6.0	25.2	9.5	64.0	3.8	80.0	3.0	12.8	18.8
	2.5	50.0	4.8	31.5	7.6	80.0	3.0	100.0	2.4	16.0	15.0
	3.2	64.0	3.8	40.3	6.0	102.4	2.3	128.0	1.9	20.5	11.7
	4.0	80.0	3.0	50.4	4.8	128.0	1.9	160.0	1.5	25.6	9.4
	5.0	100.0	2.4	63.0	3.8	160.0	1.5	200.0	1.2	32.0	7.5
6.3	126.0	1.9	79.4	3.0	201.6	1.2	252.0	1.0	40.3	6.0	
8.0	160.0	1.5	100.8	2.4	256.0	0.9	320.0	0.8	51.2	4.7	
25×/9.5 B 10 450 025	1.0	25.0	9.5	15.8	15.0	40.0	5.9	50.0	4.8	8.0	29.7
	1.25	31.3	7.6	19.7	12.1	50.0	4.8	62.5	3.8	10.0	23.8
	1.6	40.0	5.9	25.2	9.4	64.0	3.7	80.0	3.0	12.8	18.6
	2.0	50.0	4.8	31.5	7.5	80.0	3.0	100.0	2.4	16.0	14.8
	2.5	62.5	3.8	39.4	6.0	100.0	2.4	125.0	1.9	20.0	11.9
	3.2	80.0	3.0	50.4	4.7	128.0	1.9	160.0	1.5	25.6	9.3
	4.0	100.0	2.4	63.0	3.8	160.0	1.5	200.0	1.2	32.0	7.4
	5.0	125.0	1.9	78.8	3.0	200.0	1.2	250.0	1.0	40.0	5.9
6.3	157.5	1.5	99.2	2.4	252.0	0.9	315.0	0.8	50.4	4.7	
8.0	200.0	1.2	126.0	1.9	320.0	0.7	400.0	0.6	64.0	3.7	
40×/6 B 10 450 026	1.0	40.0	6.0	25.2	9.5	64.0	3.8	80.0	3.0	12.8	18.8
	1.25	50.0	4.8	31.5	7.6	80.0	3.0	100.0	2.4	16.0	15.0
	1.6	64.0	3.8	40.3	6.0	102.4	2.3	128.0	1.9	20.5	11.7
	2.0	80.0	3.0	50.4	4.8	128.0	1.9	160.0	1.5	25.6	9.4
	2.5	100.0	2.4	63.0	3.8	160.0	1.5	200.0	1.2	32.0	7.5
	3.2	128.0	1.9	80.6	3.0	204.8	1.2	256.0	0.9	41.0	5.9
	4.0	160.0	1.5	100.8	2.4	256.0	0.9	320.0	0.8	51.2	4.7
	5.0	200.0	1.2	126.0	1.9	320.0	0.8	400.0	0.6	64.0	3.8
6.3	252.0	1.0	158.8	1.5	403.2	0.6	504.0	0.5	80.6	3.0	
8.0	320.0	0.8	201.6	1.2	512.0	0.5	640.0	0.4	102.4	2.3	

ARTICLE DESCRIPTIONS

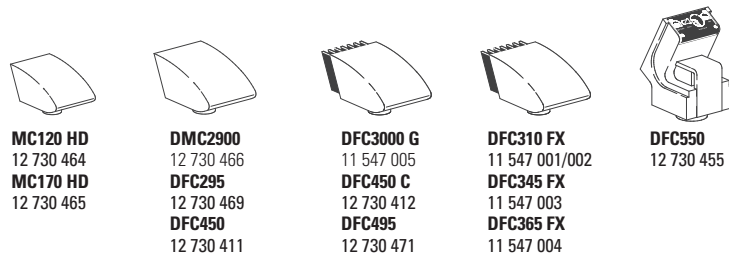


Cable

11 600 269, FW-b-b
11 600 254, FW-a-b
12 730 211, HDMI-cable
12 730 496, USB3-cable

PC Cards

12 730 446, FW-b, Notebook Kit
12 730 447, FW-b, PCI express
12 730 495, USB3, PCI express



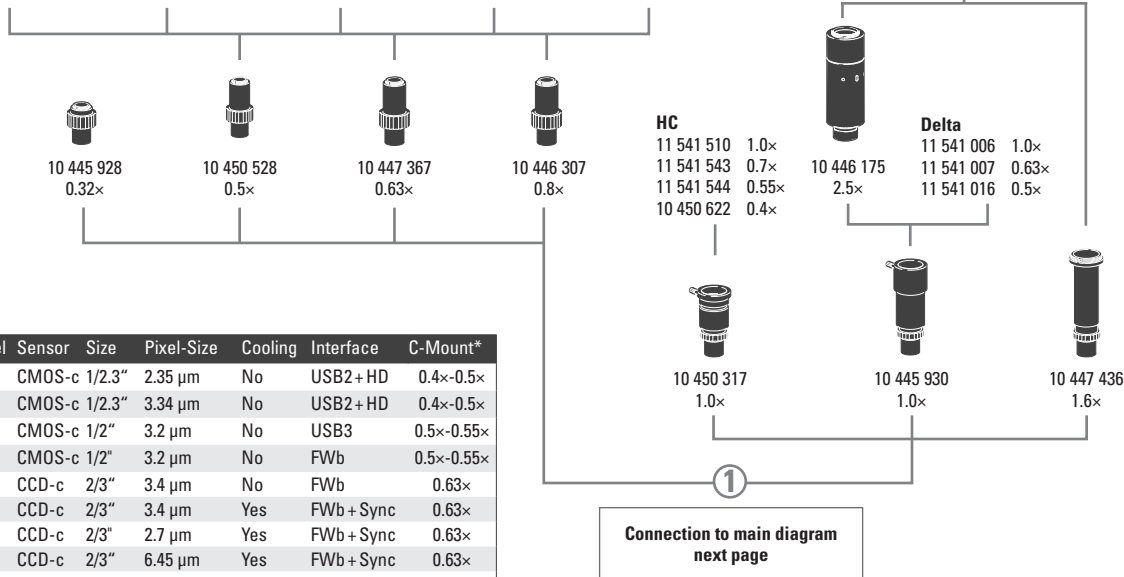
MC120 HD
12 730 464
MC170 HD
12 730 465

DMC2900
12 730 466
DFC295
12 730 469
DFC450
12 730 411

DFC3000 G
11 547 005
DFC450 C
12 730 412
DFC495
12 730 471

DFC310 FX
11 547 001/002
DFC345 FX
11 547 003
DFC365 FX
11 547 004

DFC550
12 730 455



Name	MPixel	Sensor	Size	Pixel-Size	Cooling	Interface	C-Mount*
MC120 HD	2.5	CMOS-c	1/2.3"	2.35 µm	No	USB2+HD	0.4x-0.5x
MC170 HD	5	CMOS-c	1/2.3"	3.34 µm	No	USB2+HD	0.4x-0.5x
DMC2900	3	CMOS-c	1/2"	3.2 µm	No	USB3	0.5x-0.55x
DFC295	3	CMOS-c	1/2"	3.2 µm	No	FWb	0.5x-0.55x
DFC450	5	CCD-c	2/3"	3.4 µm	No	FWb	0.63x
DFC450 C	5	CCD-c	2/3"	3.4 µm	Yes	FWb+Sync	0.63x
DFC495	8	CCD-c	2/3"	2.7 µm	Yes	FWb+Sync	0.63x
DFC550	12.5	CCD-c	2/3"	6.45 µm	Yes	FWb+Sync	0.63x
DFC3000 G	1.3	CCD-m	1/3"	3.75 µm	No	USB3+Sync	0.35x-0.4x
DFC310 FX	1.4	CCD-c	2/3"	6.45 µm	Yes	FWb+Sync	0.63x
DFC345 FX	2	CCD-m	1/2"	4.4 µm	Yes	FWb+Sync	0.5x
DFC365 FX	1.4	CCD-m	2/3"	6.45 µm	Yes	FWb+Sync	0.63x

-c: color / -m: monochrome / * recommended

V1 - 2014

Digital camera systems

12 730 464 Leica MC120 HD camera kit
12 730 465 Leica MC170 HD camera kit
12 730 466 Leica DMC2900 camera kit
12 730 469 Leica DFC295 camera kit
12 730 411 Leica DFC450 camera kit
12 730 412 Leica DFC450 C camera kit
12 730 471 Leica DFC495 camera kit
12 730 455 Leica DFC550 camera kit

11 547 005 Leica DFC3000 G camera kit
11 547 002 Leica DFC310 FX camera kit
11 547 003 Leica DFC345 FX camera kit
11 547 004 Leica DFC365 FX camera kit

12 730 054 Leica IC D camera kit
12 730 216 Leica IC80 HD camera (incl. USB-cable and Leica Software)
not recommended for MZ10 F / M165 FC / M205 FA
12 730 228 Leica Stand-alone-kit (USB power pack, HDMI-cable, SD-card,
HD RC remote control) for IC80 HD
12 730 229 Palm or foot switch with 2 m cable for IC80 HD

Digitale camera system accessories

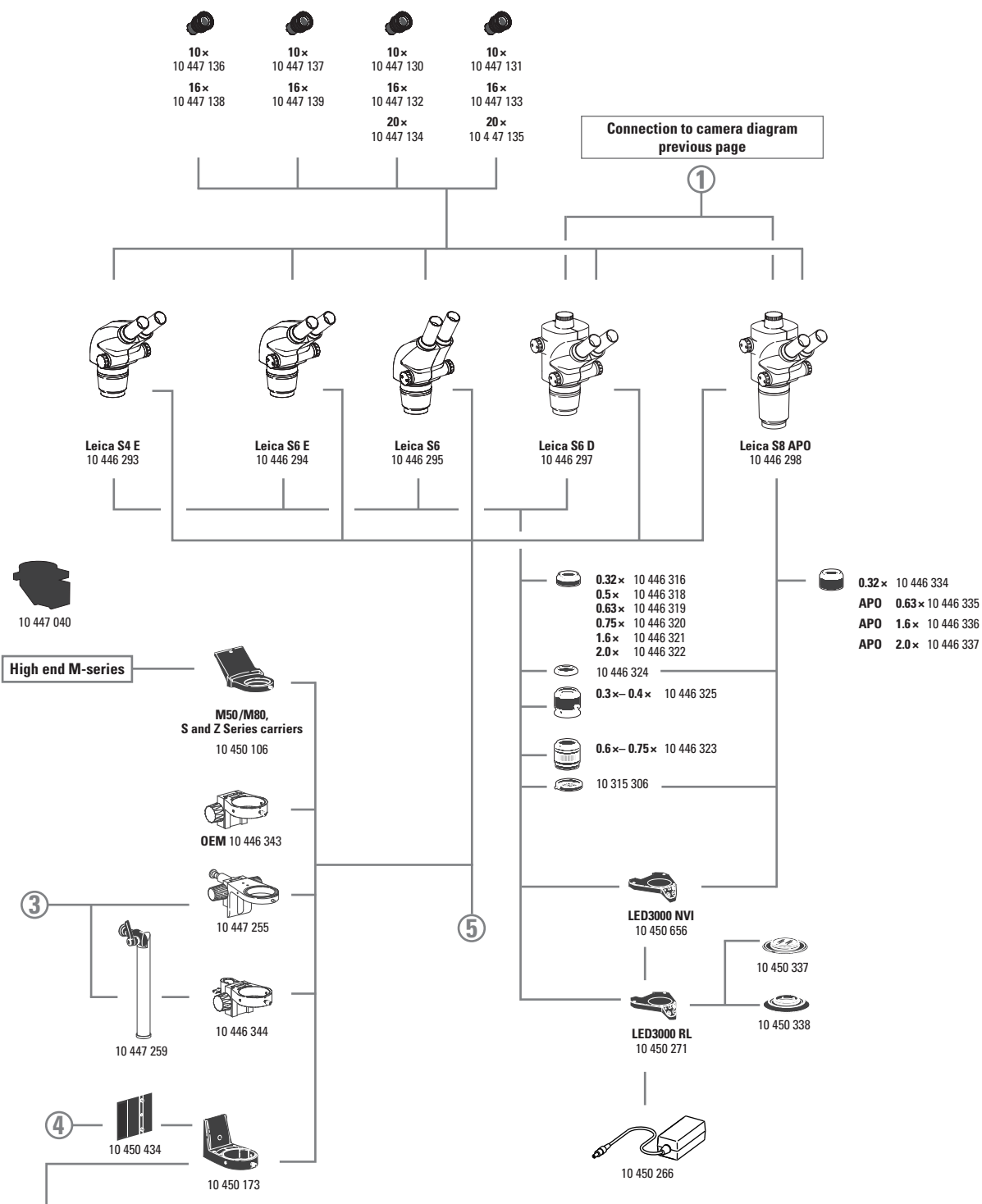
11 600 269 FireWire cable, FW-b-b, 2.5 m, 9-pin to 9-pin
11 600 254 FireWire cable, FW-a-b, 2.5 m, 6-pin to 9-pin
12 730 211 HDMI-cable, 3 m, HDMI 2x Standard-A
12 730 496 USB3-cable, 2.5 m Standard-A to Micro-B
12 730 446 FW-b, Notebook Kit (includes PCard Express,
power supply: 100 - 240 V, 24 W, adapter FW-b-a)
12 730 447 FW-b, PCI express card
12 730 495 USB3, PCI express card

Phototubes and C-mounts

10 447 319 Adapter T2, Canon EOS
10 447 436 1.6x DSLR tube with T2 thread (APS-C sensor)
10 446 175 2.5x DSLR tube with T2 thread (24x36 mm sensor)
10 445 928 0.32x video objektive with C-mount for 1/3" digital cameras
10 450 528 0.5x video objektive with C-mount for 1/2" digital cameras
10 447 367 0.63x video objektive with C-mount for 2/3" digital cameras
10 446 307 0.8x video objektive with C-mount for 2/3" digital cameras
10 445 930 1.0x video-/photo objektive
10 450 317 1.0x C-mount adapter for HC

Eyepieces, eyecups included

10 447 136 10x/23B eyepiece for eyeglasses, fixed
10 447 137 10x/23B eyepiece for eyeglasses, adjustable*
10 447 138 16x/15B eyepiece for eyeglasses, fixed
10 447 139 16x/15B eyepiece for eyeglasses, adjustable*
10 447 130 10x/23 eyepiece, fixed



- 10 447 131 10x/23 eyepiece, adjustable*
- 10 447 132 16x/16 eyepiece, fixed
- 10 447 133 16x/16 eyepiece, adjustable*
- 10 447 134 20x/12 eyepiece, fixed
- 10 447 135 20x/12 eyepiece, adjustable*

Stereomicroscopes

- 10 446 293 Leica S4 E StereoZoom® 0.63x – 3.0x, 4.8:1 zoom, 38° viewing angle
- 10 446 294 Leica S6 E StereoZoom® 0.63x – 4.0x, 6.3:1 zoom, 38° viewing angle
- 10 446 295 Leica S6 E StereoZoom® 0.63x – 4.0x, 6.3:1 zoom, 60° viewing angle
- 10 446 297 Leica S6 D StereoZoom® 0.63x – 4.0x, 6.3:1 zoom, 38° viewing angle, video/photo tube
- 10 446 298 Leica S8 APO StereoZoom® 1.0x – 8.0x with apochromatically corrected zoom optics, 8:1 zoom, 38° viewing angle, video/photo tube

Spare parts

- 10 447 149 Eyecups, pair for eyepieces
- 10 447 150 Eyecups, one pair for eyepiece for eyeglasses
- 10 447 326 Zoom knobs, pair, S8 APO size

S4 E, S6 E, S6, S6 D objectives

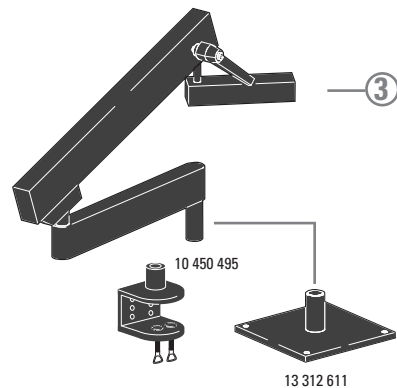
- 10 446 316 Objective 0.32x, WD 300 mm
- 10 446 318 Objective 0.5x, WD 200 mm
- 10 446 319 Objective 0.63x, WD 155 mm
- 10 446 320 Objective 0.75x, WD 130 mm
- 10 446 321 Objective 1.6x, WD 55 mm
- 10 446 322 Objective 2.0x, WD 35 mm
- 10 446 324 Lens shield for S4/S6/S8 APO
- 10 446 325 Adjustable objective 0.3x – 0.4x, WD 200 – 350 mm
- 10 446 323 ErgoObjective 0.6x – 0.75x, WD 77 – 137 mm

S8 APO objectives

- 10 446 334 Objective 0.32x, WD 200 mm
- 10 446 335 Apochromatic objective 0.63x, WD 100 mm
- 10 446 336 Apochromatic objective 1.6x, WD 37 mm
- 10 446 337 Apochromatic objective 2.0x, WD 25 mm

Illuminators

- 10 450 271 LED3000 RL – ring illuminator, Ø 58 mm objectives, 24 power LEDs, 5 600 K color temperature, optimized LED auxiliary lens, selectable segments, optimized for 60–150 mm working distance
- 10 450 337 Polarization set for Leica LED3000 RL
- 10 450 338 Diffuser for Leica LED3000 RL
- 10 450 656 LED3000 NVI – vertical illumination for M50/M80 for using objectives with major diameter 58 mm
- 10 450 501 RLA 58/66 ring light adapter for LED3000 RL and LED3000 NVI to objectives with Ø 66 mm
- 10 450 508 LED3000 SLI, spotlight illumination, double-armed gooseneck 300 mm long, 2 power LEDs, 5 600 K color temperature, control unit on separate gooseneck, incl. diffuser pair



- 10 447 443 Leica USB mouse, freely programmable, five-button mouse for connection to TL4000 RCI™ or PC
- 10 447 398 Foot pedal
- 10 447 431 Leica ErgoRest™ handrest for fatigue-free working

Stages

- 10 446 301 Gliding stage, 120 mm
- 10 446 303 Cup stage, 120 mm interface, Ø100 mm
- 33 000 600 Cup stage, Ø 120 mm, surface Ø 150 mm, revolving
- 10 447 058 Glass stage plate
- 10 447 153 Glass stage plate, matte
- 10 447 057 Stage plate b/w
- 10 447 275 Leica MATS TL heating stage insert with control unit for TL bases
- 10 447 276 Adapter for stages with Ø 120 mm

Polarization

- 10 446 228 Glass stage plate with polarizer
- 10 315 306 Analyzer in rotating mount

Measuring

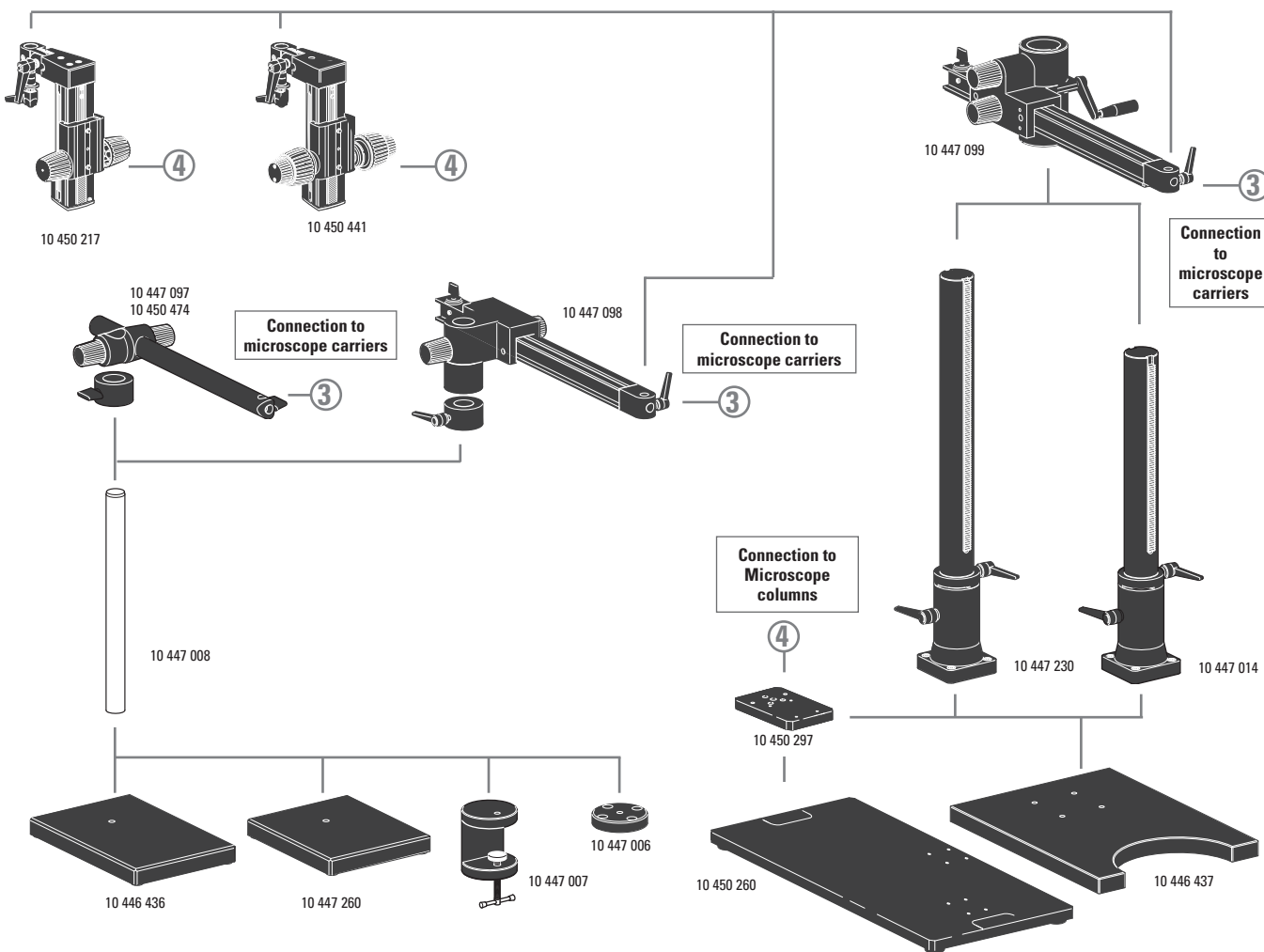
- 10 446 447 Reticle 10 mm/0.1 mm
- 10 446 448 Reticle 5 mm/0.1 mm
- 10 446 449 Reticule 5 mm/0.05 mm
- 10 447 000 Graticule, 100 scale intervals/0.002"
- 10 447 001 Graticule, 100 scale intervals/0.001"
- 10 447 002 Graticule, 150 scale intervals/0.0005"
- 10 446 450 Crosshair graticule
- 10 310 345 Stage micrometer, 50 mm scale with 0.1 mm and 0.01 mm graduation
- 10 447 037 Stage micrometer 1", 0.001" graduation

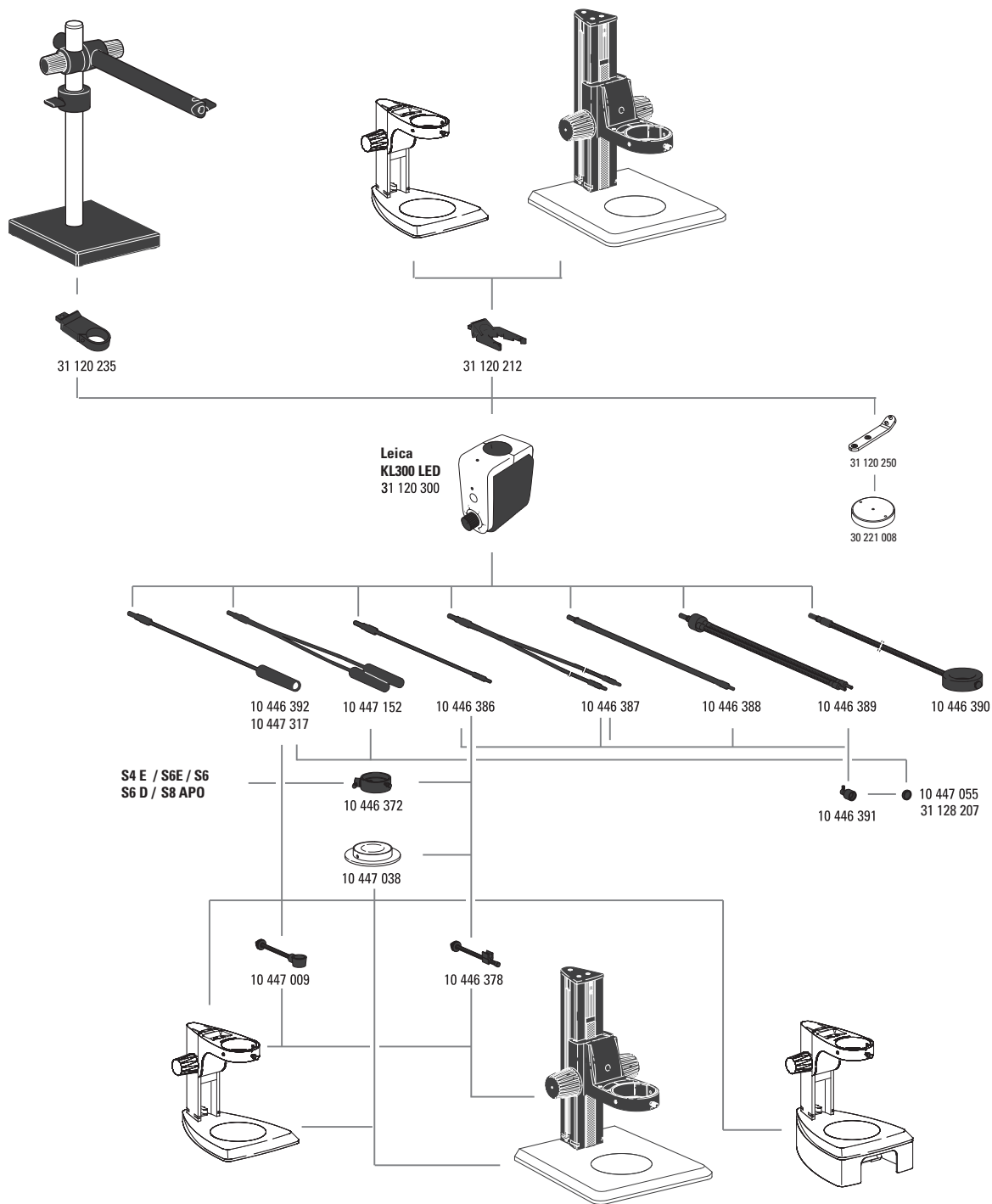
Flex arm stands

- 10 450 495 Flex-arm stand with table clamp
- 13 312 611 Table holder for flex-arm stand

Swing-arm stands

- 10 447 260 Base plate, small
- 10 446 436 Base plate, medium
- 10 447 008 Vertical column 470/35 mm
- 10 447 097 Horizontal arm ESD, 500 mm
- 10 450 474 Horizontal arm ESD, 290 mm
- 10 447 098 Horizontal arm, standard
- 10 447 006 Flange
- 10 447 007 Stage clamp
- 10 446 437 Base plate, large
- 10 447 014 Vertical column 560/57 mm
- 10 447 230 Vertical column 800/57 mm
- 10 447 099 Horizontal arm, large
- 10 450 217 Focusing drive with inclinable column
- 10 450 441 Focusing drive coarse/fine with inclinable column
- 10 450 260 Universal plate XL for specimens up to 300 × 300 mm
- 10 450 297 Adapter for universal plate 10 450 260 for all swing arm columns





Leica KL300 LED illumination

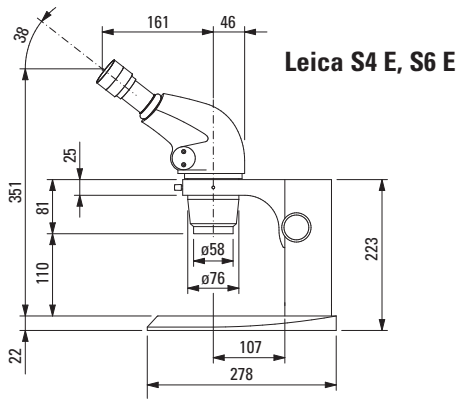
- 31 120 300 KL300 LED cold-light LED source with power supply unit
- 31 120 212 KL300 LED adapter for focusing column
- 31 120 235 KL300 LED adapter for swing-arm stand
- 31 120 250 KL300 LED, adapter for baseplate 30 221 008
- 30 221 008 Base plate for KL300 LED

- 10 446 392 Universal light guide, 600 mm
- 10 447 317 Universal light guide, 1 000 mm
- 10 447 152 Universal light guide, 2-arm, 600 mm
- 10 446 386 Flexible light guide, 1-arm, 550 mm
- 10 446 387 Flexible light guide, 2-arm, 750 mm
- 10 446 388 Gooseneck light guide 1-arm, 500 mm
- 10 446 389 Gooseneck light guide 2-arm, 500 mm
- 10 446 390 6-point ring illuminator, internal diameter 58 mm, 750 mm
- 10 447 038 Transmitted light stage
- 10 446 391 Auxiliary focusing lens
- 10 447 055 Daylight filter for auxiliary focus
- 31 128 207 Warm light filter for focus lens
- 10 446 378 Arm for flexible light guide
- 10 447 009 Arm for universal light guide
- 10 446 372 Vertical illumination

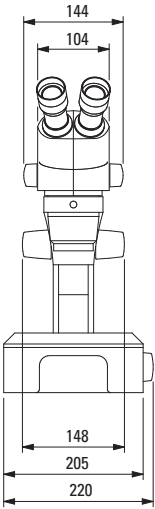
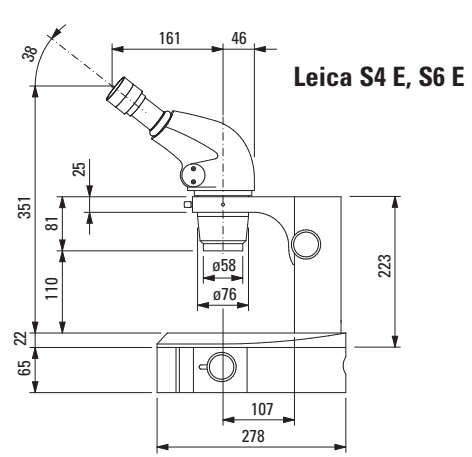
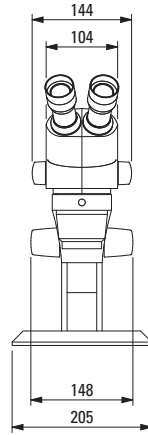
Spare parts for Leica L2

- 10 447 056 Halogen lamp 8 V/20 W, L2
- 10 447 015 Leica L2 transformer, 90 – 250 V (not shown)

Dimensions Leica S4 E, S6 E with incident light stand

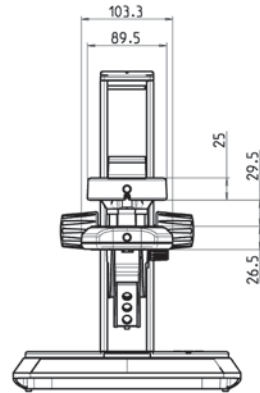
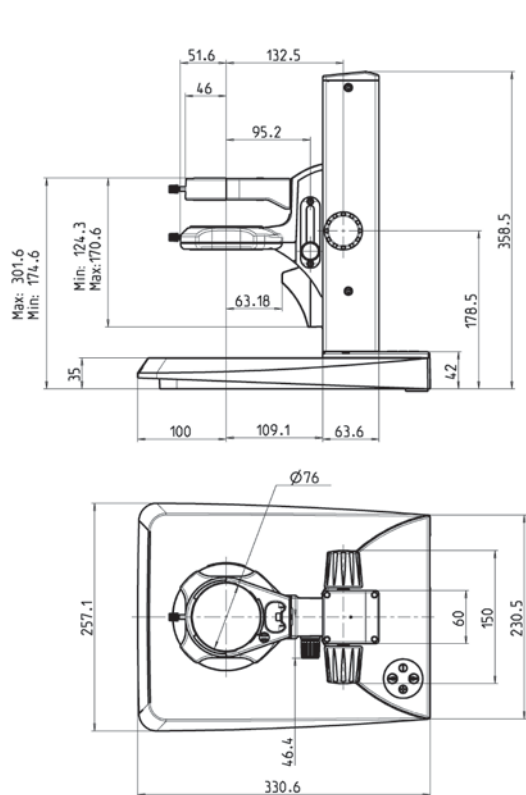


with transmitted light stand

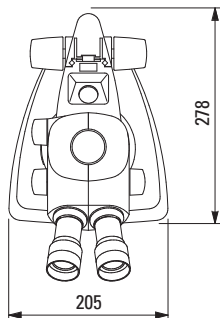
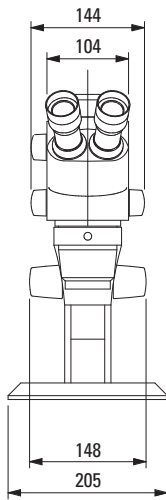
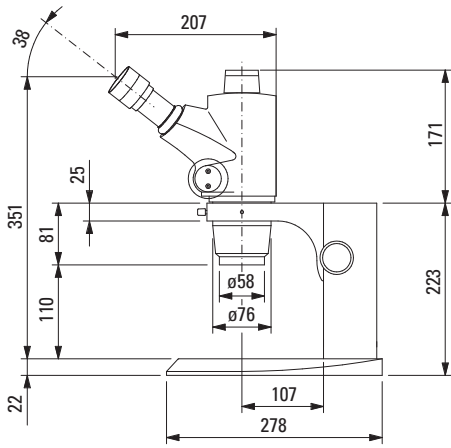


Dimensions in mm

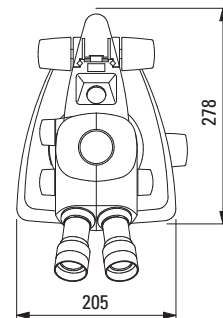
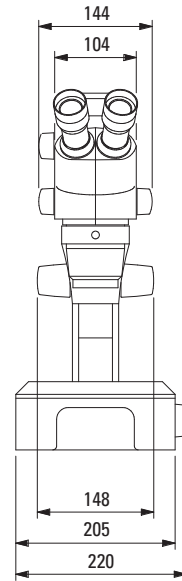
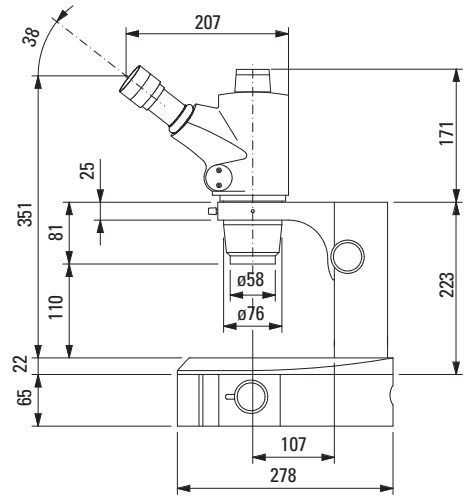
Dimensions Leica LED2000 / Leica LED2500



Dimensions Leica S6 D with incident light stand

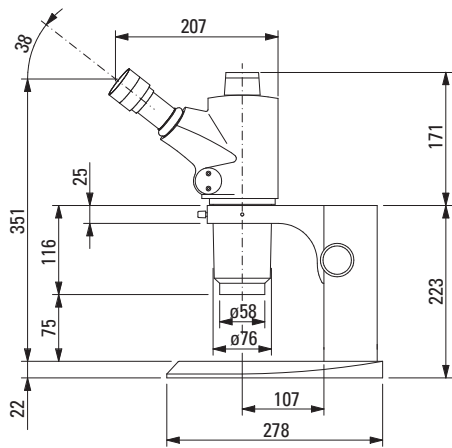


with transmitted light stand

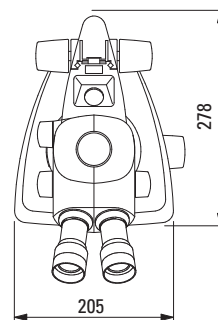
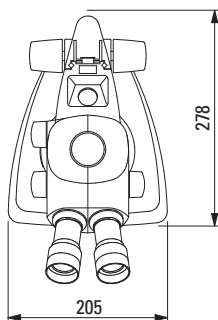
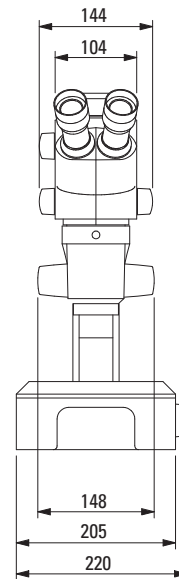
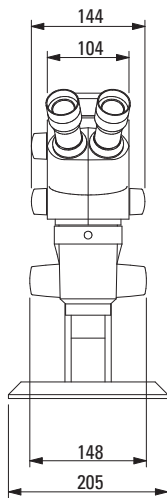
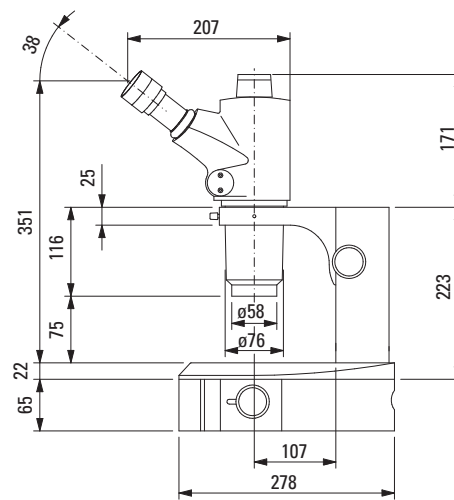


Dimensions in mm

Dimensions Leica S8 APO with incident light stand



with transmitted light stand



Dimensions in mm

Information Material

All brochures in German, English, French, Spanish and Italian. Please also visit our homepage:

www.leica-microsystems.com

It provides the latest information and updates and numerous examples for the practical application of our stereomicroscopes in industry and science. You can also view, print and save any brochures and the latest manuals.

Leica StereoZoom® Greenough stereomicroscopes	10IDS10010
Swing-arm stand	10IDA19010
Leica KL300 LED cold-light source	10IDA25010
Leica TL bases	10IDA20010
Leica LED3000 / Leica LED5000 illuminator series	10IDA26010
Digital cameras & image processing/analysis software	
Leica DFC295 FireWire color camera system	10IDC13010
Leica MC120 HD / MC170 HD	
Digital HD microscope cameras	10IDC20010
Leica LAS Software information box	10IDI12010
Leica IC80 HD integrated high-definition	
Microscope camera	10IDC14010
Leica F12 I Floor stand	10IDA13010

The statement by Ernst Leitz in 1907, “**With the User, For the User,**” describes the fruitful collaboration with end users and driving force of innovation at Leica Microsystems. We have developed five brand values to live up to this tradition: Pioneering, High-end Quality, Team Spirit, Dedication to Science, and Continuous Improvement. For us, living up to these values means: **Living up to Life.**

Leica Microsystems operates globally in three divisions, where we rank with the market leaders.

LIFE SCIENCE DIVISION

The Leica Microsystems Life Science Division supports the imaging needs of the scientific community with advanced innovation and technical expertise for the visualization, measurement, and analysis of microstructures. Our strong focus on understanding scientific applications puts Leica Microsystems’ customers at the leading edge of science.

INDUSTRY DIVISION

The Leica Microsystems Industry Division’s focus is to support customers’ pursuit of the highest quality end result. Leica Microsystems provide the best and most innovative imaging systems to see, measure, and analyze the microstructures in routine and research industrial applications, materials science, quality control, forensic science investigation, and educational applications.

MEDICAL DIVISION

The Leica Microsystems Medical Division’s focus is to partner with and support surgeons and their care of patients with the highest-quality, most innovative surgical microscope technology today and into the future.

