

**OLYMPUS**<sup>®</sup>

Your Vision, Our Future

Stereomicroscope Lineup

**SZX16/SZX10/SZX7/SZ61/SZ51**

ryf ag



Ryf AG  
Bettlachstrasse 2  
2540 Grenchen  
tel 032 654 21 00  
fax 032 654 21 09

[www.ryfag.ch](http://www.ryfag.ch)

For Biological Use

S Z X 1 6 / S Z X 1 0



OLYMPUS  
SZX16

CLICK /  
CLICK STOP

OLYMPUS

S Z X 7



OLYMPUS  
SZX7

2.5  
3.2  
4  
5  
6



OLYMPUS  
SZ61

S Z 6 1 / S Z 5 1

# Olympus stereomicroscopes deliver excellent images needed for cutting-edge research.

Olympus presents two stereomicroscopes that are models of efficiency offering excellent optical performance. Integrated with the Galilean optical system, the SZX16/SZX10/SZX7 series has a wide zoom range for distinct clarity and high-resolution imaging. The Greenough optical system has been designed into the SZ61/SZ51 series with a compact body for user-friendly operation throughout the zoom range. All models deliver outstanding image data that are a distinct advantage for a wide range of biological applications and specimens of any type or size.

## Stereomicroscope Lineup

Galilean optical system

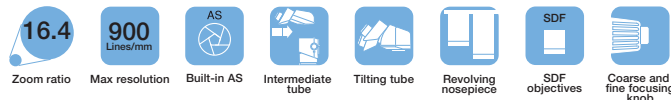
### SZX16 Series



High precision stereomicroscope:  
Optimum viewing and ease of use

- New SDF objectives with a high NA and 900 lp/mm\* resolution as well as superb 1:16.4 zoom function
- Astigmatism-free design for sharper-than-ever 3D observation
- Ergonomic design for natural posture plus reduced stress and fatigue during long-time observation

\*900 lp/mm is achieved when the SDFPLAPO2XPFC lens is used.



## ■ Illumination suited to various samples

Choose from a lineup of expandable illuminators that can be integrated into stereomicroscope systems. Olympus stereomicroscopes create optimal illuminating environment for optimum results in brightness, contrast, and resolution.



High-level transmitted light illumination base  
**SZX2-ILLB**  
Brightfield/darkfield transmitted light illumination base  
**SZX2-ILLD**  
Transmitted light illumination base  
**SZX2-ILLK**



Slim LED transmitted light illumination base  
**SZX2-ILLT**



Dual inter-lock light guide  
**LG-DI**



Coaxial illuminator  
**SZX2-ILLC16/SZX2-ILLC10**

Galilean optical system

### SZX10 Series



Highly versatile basic model reproduces  
true-to-life images of samples

- Optimal performance in routine tasks like selection or dissection with 1:10 zoom ratio
- Easy-to-use, fatigue-free design, as seen in the SZX16
- Broad selection of accessories to enhance research capability



# Versatile Inspection

## Optics Performance Specifications

	Zoom ratio	Zoom magnification	Total magnification*	Resolution	Long WD
SZX16	16.4	0.7x~11.5x	2.1x~690x	★★★★★	★★★
SZX 10	10.0	0.63x~6.3x	3.15x~378x	★★★★	★★★★
SZX 7	7.0	0.8x~5.6x	4.0x~336x	★★★★	★★★★
SZ 61	6.7	0.67x~4.5x	1.68x~270x	★★★	★★★★★
SZ 51	5.0	0.8x~4.0x	2.0x~240x	★★★	★★★★★

\*From the combined use of objectives and eyepieces.

Galilean optical system

## SZX7 Series



Cost-efficient model with Galilean optical system

- Compact model expandable for high-resolution observation
- Trinocular tubes compatible with digital camera are available



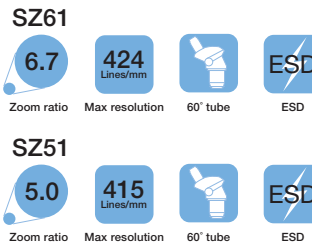
Greenough optical system

## SZ61/SZ51 Series



All functions needed for routine work, all in one compact body

- Greenough optical system for maximum performance
- Slim and compact body for enhanced efficiency
- Well-suited to routine work alone or in combination with other devices, including digital cameras and TV cameras



contrast, and spotlighting, depending on various manipulations and samples.



Transmitted illumination attachment  
SZ2-ILA



LED illumination stand  
SZ2-ILST



Six-point ring light guide  
SZX-LGR66 + SZ2-CLGR + SZ2-CLS

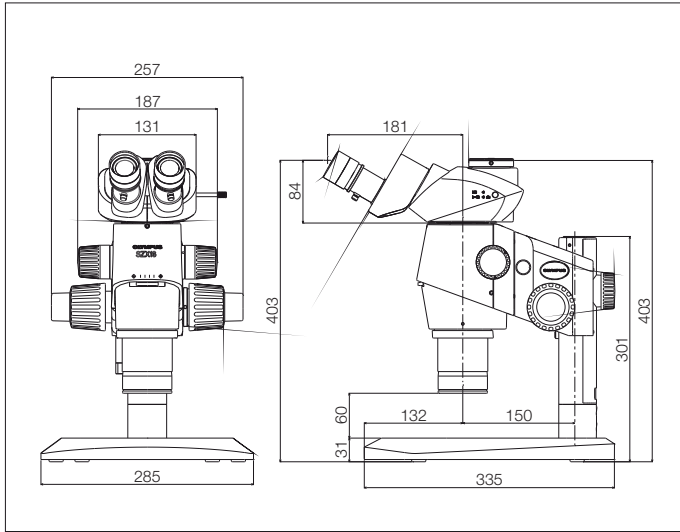


Dual interlock light guide  
SZ2-CLGD1 + SZ2-CLS

Please refer to other product catalogs for more details on illuminators.

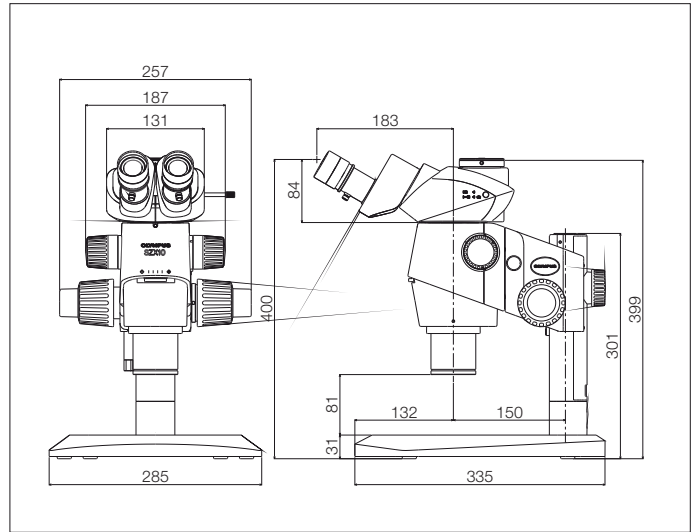
SZX16 standard set dimensions

(unit: mm)



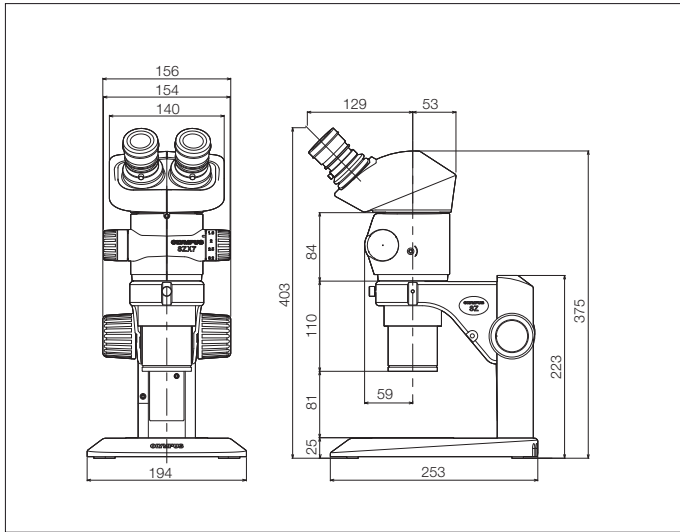
SZX10 standard set dimensions

(unit: mm)



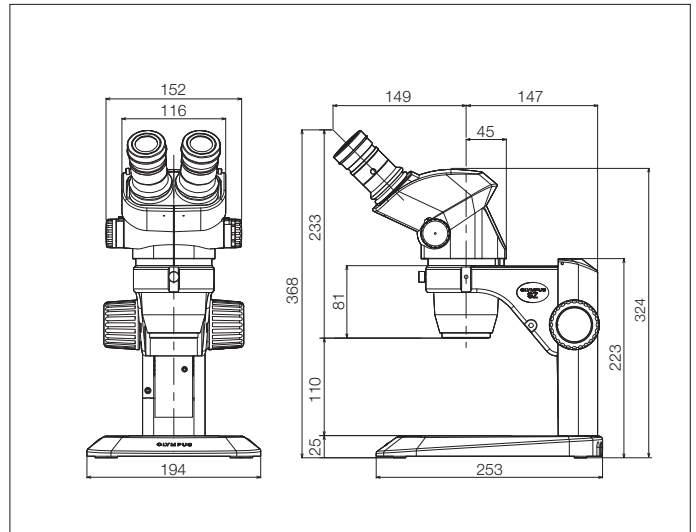
SZX7 standard set dimensions

(unit: mm)



SZ61/ SZ51 standard set dimensions

(unit: mm)



- OLYMPUS CORPORATION is ISO14001 certified.
- OLYMPUS CORPORATION is FM553994/ISO9001 certified.
- OLYMPUS CORPORATION is MD540624/ISO13485 certified.
- Illumination devices for microscope have suggested lifetimes. Periodic inspections are required. Please visit our website for details.
- All company and product names are registered trademarks and/or trademarks of their respective owners.
- Specifications and appearances are subject to change without any notice or obligation on the part of the manufacturer.

**OLYMPUS**<sup>®</sup>

