

# Controllers and Power Supplies for VisiLED Series



MC750  
Basic functions



MC1000  
Compact and ergonomic



MC1500  
Multifunction center

	MC750	MC1000	MC1500
Dimensions	73.5 mm x 110 mm x 40 mm (2.9" x 4.3" x 1.58")	90 mm x 152 mm x 25 mm (3.54" x 5.98" x 0.98")	153 mm x 110 mm x 40 mm (6" x 4.3" x 1.58")
Connectors on backside	<ul style="list-style-type: none"> <li>• 21V DC Connector</li> <li>• 1 Lighthead Connector</li> </ul>	<ul style="list-style-type: none"> <li>• 21V DC Connector</li> <li>• 1 Lighthead Connector</li> <li>• ESD plug</li> </ul>	<ul style="list-style-type: none"> <li>• 21V DC Connector</li> <li>• RS232 Interface</li> <li>• 2 Lighthead Connectors</li> <li>• 1 Footswitch</li> <li>• 1 Flash</li> </ul>
Features	<ul style="list-style-type: none"> <li>• Continuous dimming via potentiometer</li> </ul>	<ul style="list-style-type: none"> <li>• Easy to use.</li> <li>• 4 present segment modes.</li> <li>• Rotation to both directions.</li> <li>• Continuous dimming via potentiometer.</li> </ul>	<ul style="list-style-type: none"> <li>• 5 preset segment modes plus rotation for optimum contrasting.</li> <li>• Smooth dimming with overdrive position.</li> <li>• 4 memory positions to save custom lighting modes.</li> <li>• External Trigger: to start single strobe.</li> <li>• Flash mode: to overdrive continuous set intensity with a short flash for taking photographs.</li> <li>• Strobe mode: to utilize internal strobe function with frequencies between 15 Hz – 5 KHz.</li> <li>• RS 232 Computer interface (USB 1.1 optional) to set parameters via computer.</li> <li>• Foot switch between memory positions (optional).</li> </ul>

Controllers and Power Supplies	
Description	Part. No.
MC750 controller	400 010
MC1000 controller	400 040
MC1500 controller	400 000

Power Supplies	
Input 100–240V AC, 50/60 Hz; Output 21V DC/1,92A, -UL certification and CE marking	400 050
IEC cord with European Plug	400 051
IEC cord with US Plug	400 052
IEC cord with UK Plug	400 053
IEC cord with Swiss Plug	400 054

Version 09.2014

ryf ag

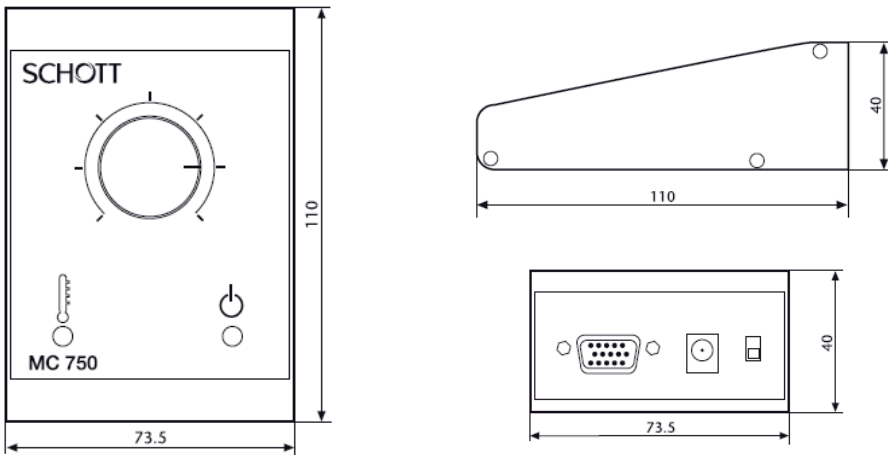


Ryf AG  
Bettlachstrasse 2  
2540 Grenchen  
tel 032 654 21 00  
fax 032 654 21 09

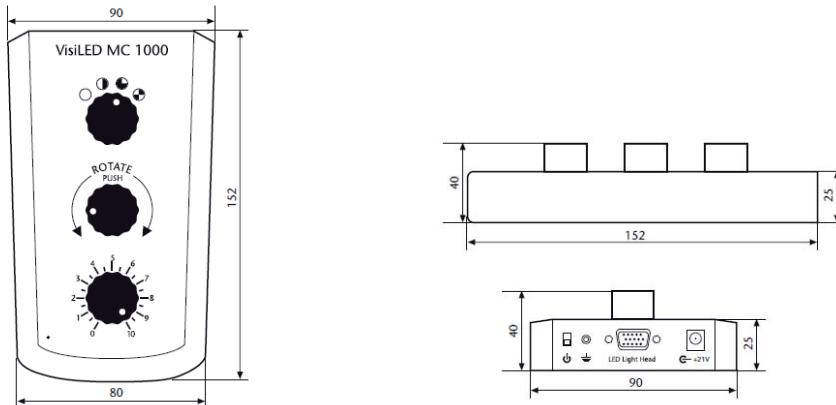
www.ryfag.ch

SCHOTT  
glass made of ideas

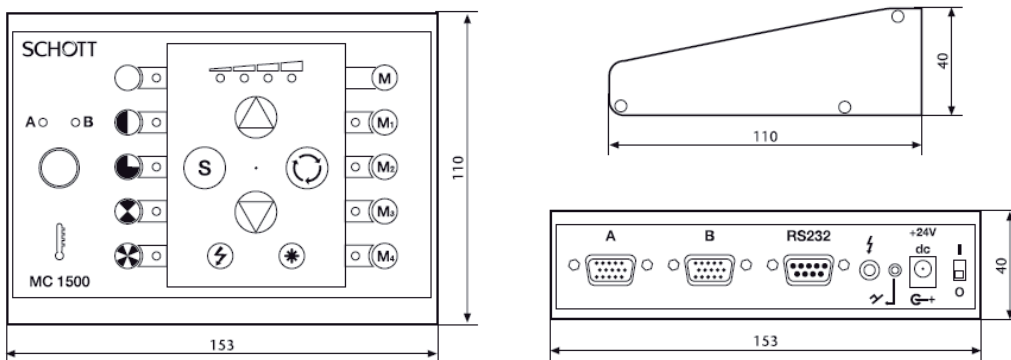
# Controllers and Power Supplies for VisiLEDs MC Series



VisiLED controller MC750



VisiLED controller MC1000



VisiLED controller MC1500

All specifications are subject to change without prior notice. This datasheet or any extracts thereof may only be used in other publications with express permission of SCHOTT. © SCHOTT AG

