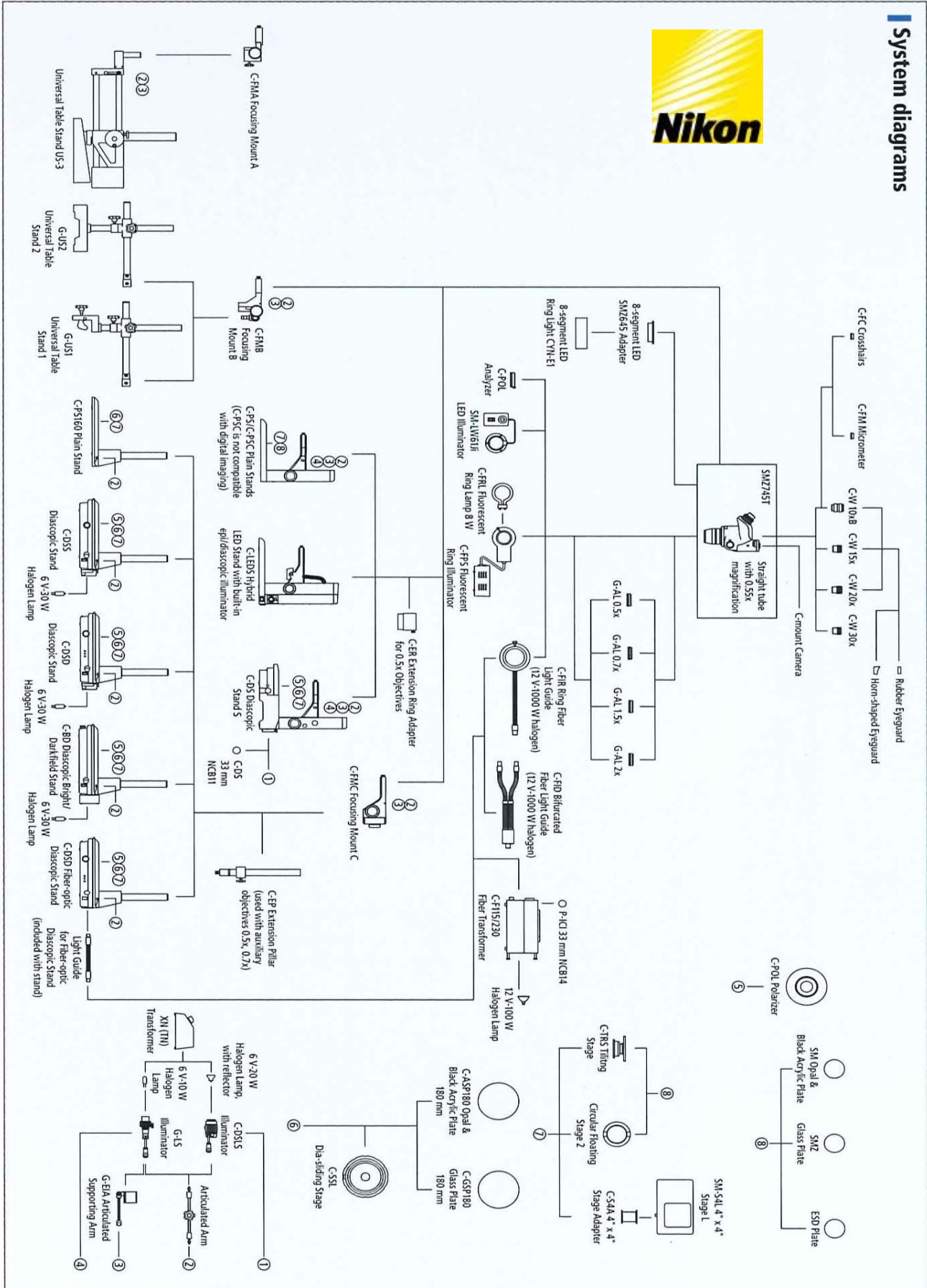
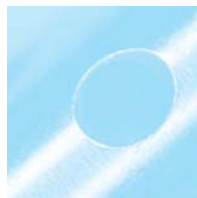




System Diagrams stereo microscope Nikon SMZ 745T

System diagrams





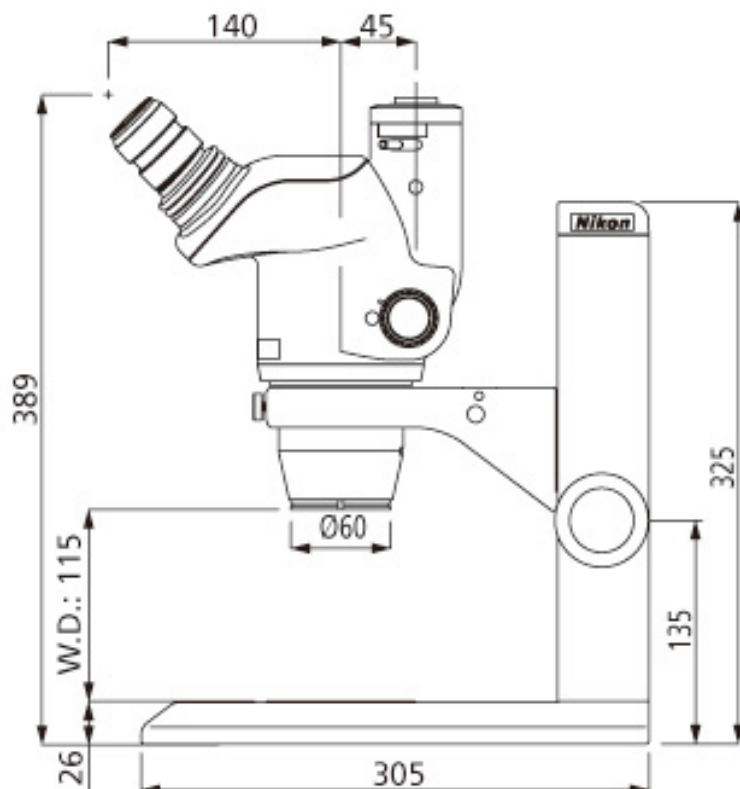
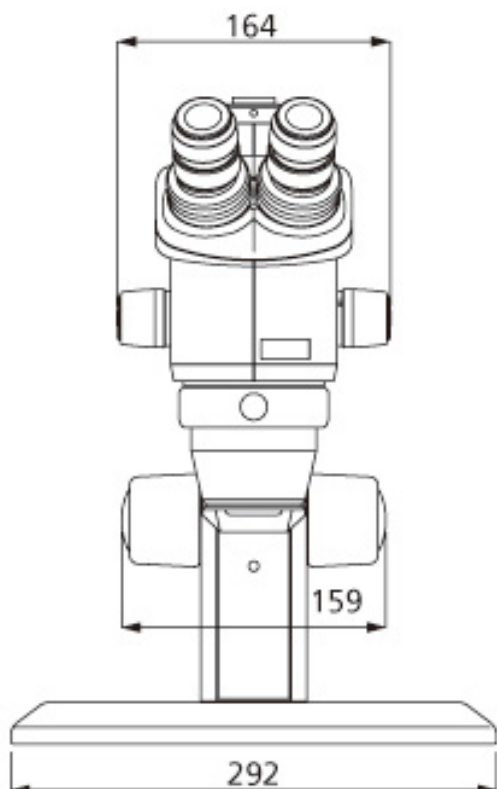
System Diagrams stereo microscope Nikon SMZ 745T

Specification

Product Code	MMA36410
Product Name	SMZ745T
Total magnification	3.35-300x (depending on eyepiece and auxiliary objective used)
Zoom ratio	7.5:1
Zoom range	0.67-5x (with Click – Stop!)
Standard Eyepieces (with diopter adjustment)	C-W 10xB (F.N. 22)
Eyepiece inclination	45 °
Optical system	Greenough optical system
Eyepiece tube	Fixed type
Interpupillary distance adjustment	52-75 mm
Umschaltung: Beobachtung / Video (rechter Binokulartubus)	100/0, 0/100
Straight tube (video)	0.55x // Built-in C-mount 0.55x magnification lens (F.N. 11), compatible with 2/3 in. or smaller CCD
Elektrostatistische Abfallzeit (ESD)	1000 V auf 10 V: > 0.2 Sek.
Working distance	115 mm (standard)
Weight	1.8 kg

Accessories

Eyepieces (with diopter adjustment)	C-W 10xB (F.N. 22), C-W 15x (F.N. 16), C-W 20x (F.N. 12.5), C-W 30x (F.N. 7)
Auxiliary objectives	G-AL 0.5x (211 mm), G-AL 0.7x (150 mm), G-AL 1.5x (61 mm), G-AL 2x (43.5 mm)
Illuminators	Ryf NKL-18, NKL-12b FLRinglights, Ryf RLQ Glassfiber, Nikon Stands C-LEDS, C-LEDS hybrid, LED transmission
Object tables/stages	C-TRS Object stage, C-SSL Dia-slide table
Universal stands	RUS-1/RUS-2/RUS-3 Ryf Universal stands



(Unit: mm)