

## Low Cost SlimLED Ryeco-RS466 “Made in California”



### Ryeco Low Cost Ring Illuminator SlimLED RS466:

The SlimLED ring light represents a new standard in microscope ring lights from a California / USA based manufacturer and industry leader in innovative products.

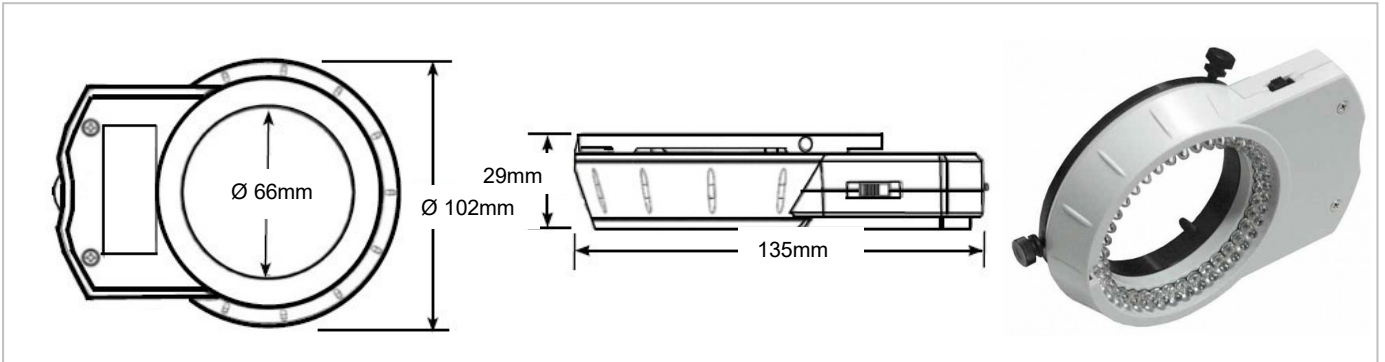
Designed and manufactured to the exacting standards, the SlimLED delivers powerful, microscope quality white light from the precision aligned LED array.

Our CAD designed ring light system contains 40 top quality high-brightness white LED's housed in a machined aluminum and molded plastic enclosure. The Ryeco SlimLED offers outstanding illumination performance in a rugged, attractive package.

Our advanced LED controller utilizes a proprietary constant current design to provide maximum light output with long life and no color shift when dimming. This key feature is integrated into the compact ring light housing. Adding to its impressive list of features, the SlimLED comes standard with a universal power source for worldwide (110V - 240V) operation.

Manufactured in a California factory, the SlimLED is backed by the great service and warranty that have made Ryeco the first choice for manufacturing, laboratories, and other “mission critical” applications.

## Low Cost SlimLED Ryeco-RS466 "Made in California"

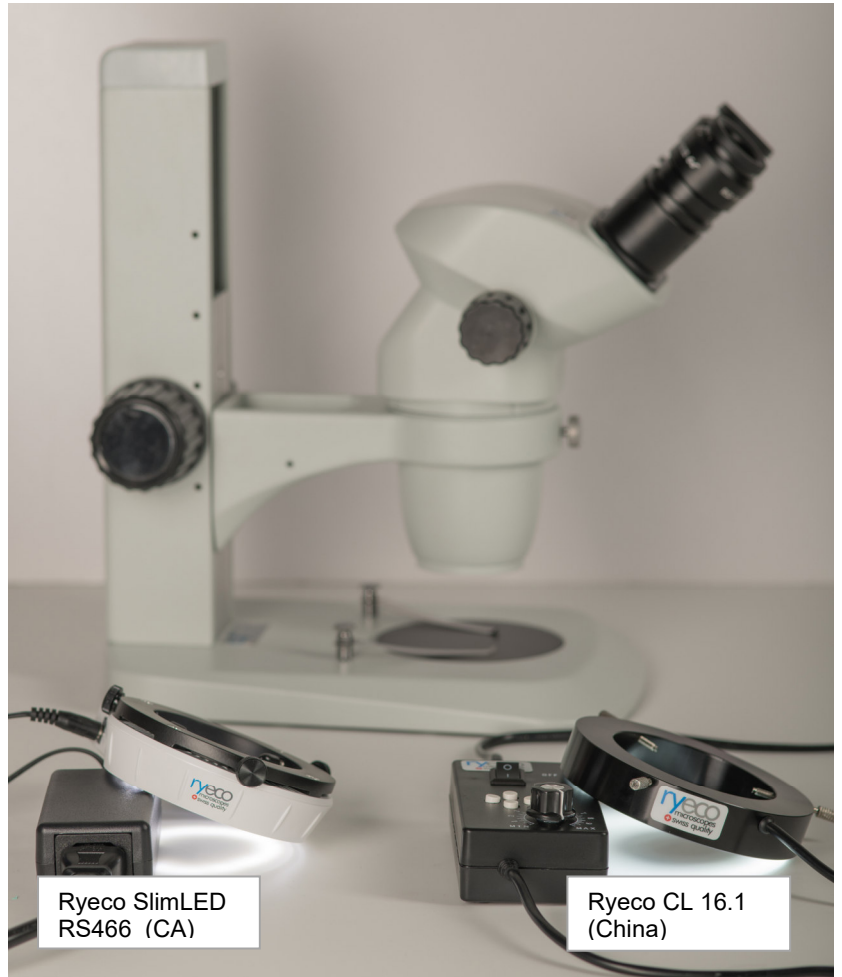


Number of LEDs	40
Inside Ring Diameter	67 mm
Outside Ring Diameter	97 mm
Height	29 mm
Length	135 mm
Minimum Working Distance (Dark Spot Disappears)	
Ideal Working Distance (Max Illuminance/Even illumination)	mm
Maximum Working Distance	127 mm

Input: 100-240V - 50/60 Hz, 0.5A  
Output: 24V - 0.75A, 18W Maximum

### Key Features SlimLED:

- 40 Adjustable high brightness LEDs
- Choice of Daylight, Cool White or Warm White LEDs
- ESD Compliant version available
- 360 Degree shadow-free illumination
- Machined aluminum mounting ring
- Supplied with 3 soft rubber tip mounting screws
- Rugged polycarbonate housing
- Supplied with build in controller and power supply
- Standard model fits directly all 66mm and 60mm lenses (no Adapter required)
- Adaptable to larger diameter microscopes
- Silent vibration free operation
- CE mark



Ryeco SlimLED  
RS466 (CA)

Ryeco CL 16.1  
(China)

