



## *Vision Lynx eyepieceless viewer (Zoom)*



The eyepieceless viewer enables unmatched freedom of head and body position, eliminating operator fatigue, due to an exit pupil 64x larger than traditional eyepiece microscopes. This produces a high-resolution image over a large viewing area.

Spectacles or contact lenses may also be worn in comfort during use.

A variety of objectives and multipliers complement the 6:6 to 1 zoom-ratio offering a combination of magnification up to 120x and working distances to suit requirements.

The modular design enables the user to select optimal mounting, illumination and camera options.

- Reduced Eyestrain and Operator Fatigue
- Increased Throughput
- Improved Fault Detection
- Reduced Scrap Rates
- Switchable 360° Angled View
- 7-120x Magnification



## Vision Lynx eyepieceless viewer (Zoom)

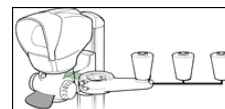


Lynx systems are available with a boom mount, or adjustable bench stand (pictured). The boom mount offers working flexibility, while the bench stand provide greater stability at higher magnifications.



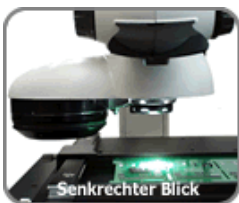
### Camera Options

Lynx can be easily modified for numerous camera adaptors including CCTV, 35mm, Polaroid or digital imaging. The modular design of Lynx makes fitting the adaptors fast and simple.



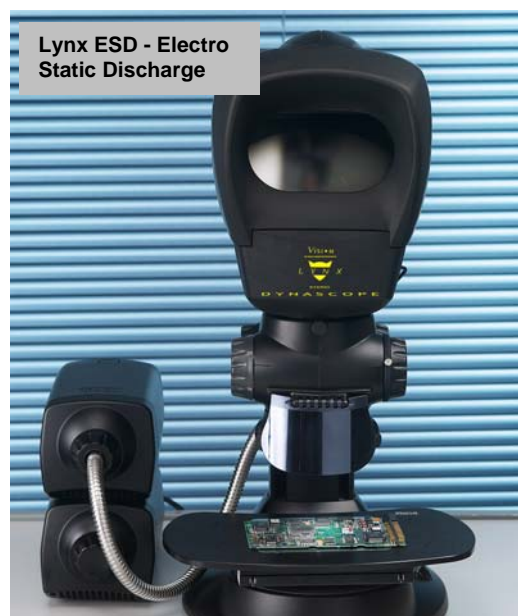
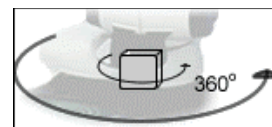
### Fixed Angle Viewer

The Lynx 25° fixed angle adjuster provides fixed angled viewing of subjects. The modular design makes installation of the adaptor fast and simple.



### Rotating Oblique Viewer

The oblique and direct viewer is a 35° from vertical rotating viewer, allowing a full angled view of the subject.



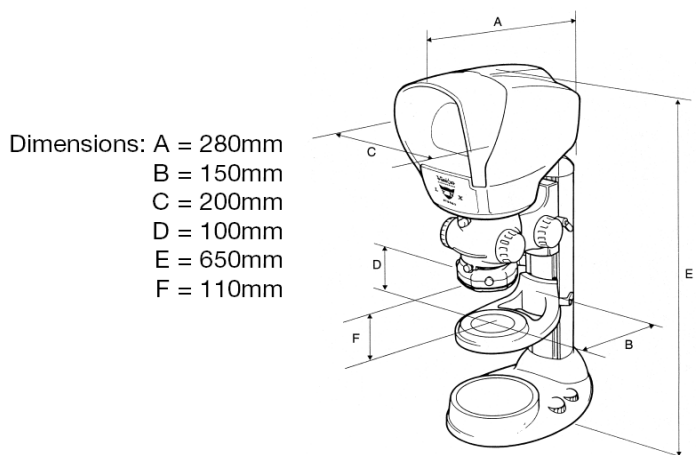
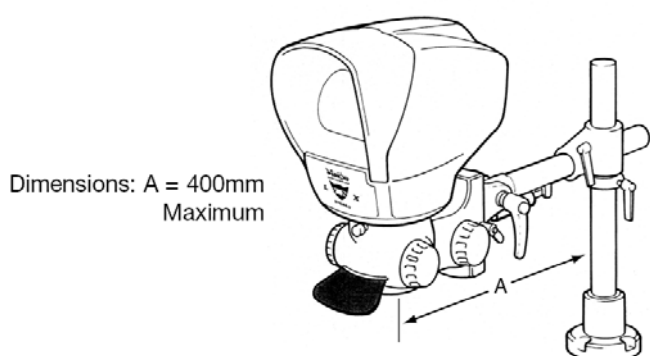


# Vision Lynx eyepieceless viewer (Zoom)

## Oblique & direct viewer "Rotation 34° "

The **Oblique and Direct Viewer** allows the operator to view a subject from an angle of 34° from vertical. This allows a better stereo view of 3-dimensional subjects including PCB solder joints, holes, pillars and thread forms. The Oblique and Direct Viewer is available in motorised and manual versions. Both systems can be rotated 360° around the subject. The motorised system has a mouse control.

Compatibility: Lynx, alpha, Beta and VS8





# Vision Lynx eyepieceless viewer (Zoom)

## Variable Angled Viewer



The **Variable Angled Viewer** can change the eyepoint by up to 20°. The head can be tilted forward to accommodate a lower viewing position or it can be reversed to compensate for an angled view of the part.

Compatibility: LYNX, ALPHA, BETA & VS8



## Fixed Angle Viewer

The **Fixed Angle Viewer**, consisting of a 25° wedge, allows for 2 options:

1. A fixed angle of 25° from vertical.
2. The ability to view vertically, tilting the optical head and using the system whilst standing up.

Compatibility: LYNX, ALPHA, BETA & VS8

## Variable Angled Viewer



**Step Multipliers** are easily fitted and allow the stereo zoom range to be increased by a factor of 1.5x or 2x with a simple slide.

### Objective Magnification Range

X2.1 - X12  
 X3.5 - X20  
 X4.9 - X28  
 X7.0 - X40  
 X10.5 - X60  
 X14 - X80

### Stepped Magnification Range

1.5x	2.0x
X3.2 - X18	X4.2 - X24
X5.3 - X30	X7.0 - X40
X7.4 - X42	X9.8 - X56
X10.5 - X60	X14 - X80
X15.8 - X90	X21 - X120
X21 - X120	X28 - X160

Compatibility: LYNX, ALPHA, BETA & VS8

## Digital cameras and video- // CCTV-cameras



**Digital Cameras** including Nikon, KAPPA and other leading makes. Most proprietary digital cameras which can accept a 'C' Mount attachment can be used with Vision Engineering systems. Some digital cameras can be removed from the microscope and used for offline photography. Most cameras come with proprietary archiving and simple analysis software - please see individual camera brochures for more details.

Camera Compatibility: LYNX, ALPHA, BETA & VS8

