



EduBlue

HIGHLIGHTS

- Designed for education
- Robust and sturdy, with secured eyepieces
- WF 10x/20 mm eyepieces
- Dual or triple magnifications
- Binocular and trinocular models available
- Provided with APL (Anti-bacterial Protection Layer)
- Quick focus scale
- 1 W LED illumination
- With rechargeable batteries for cordless use
- Digital models with 5.0 MP camera available
- Ergonomic carrying grip
- 5 years warranty



● ED.1502-S

TECHNICAL SPECIFICATIONS

EYEPIECE

Pair of secured WF10x/20 mm eyepieces supplied with eyecups

HEAD

- Binocular head with 45° inclined tubes
- Trinocular head with 45° inclined tubes and 23,2mm tube. The standard trinocular tube accepts all standard 23.2 mm C-mount objectives
- Diopter adjustment of ± 5 on one side
- Interpupillary distance adjustable between 55 and 75 mm
- Digital head is supplied with a 5.0 MP USB-2 1/2.8" CMOS camera

DUAL MAGNIFICATION OBJECTIVES

- Revolving nosepiece with dual 1x/3x and 2x/4x, which can provide standard magnifications of 10x and 30x or 20x and 40x
- Working distance 60 mm
- Field of view of 20/6.7 mm or 10/5 mm
- Magnifications can be altered using optional eyepieces

All optics are anti-fungus treated and anti-reflection coated for maximum light throughput

TRIPLE MAGNIFICATION OBJECTIVES

- Revolving nosepiece with triple 1x/2x/3x and 1x/2x/4x, which can provide standard magnifications of 10x, 20x and 30x or 10x, 20x and 40x
- Working distance 60 mm
- Field of views of 20/10/6.7 mm or 20/10/5mm
- Magnifications can be altered using optional eyepieces

STAND

- The rack & pinion and pillar stands of the EduBlue are equipped with ergonomic designed flat bases, complete with 2 object clamps and \varnothing 60 mm transparent and black/white stage plate

ED.1302-P / ED.1402-P	225 (h) x 175 (w) x 220 mm (d) 2.4 kg
ED.1302-S / ED.1402-S	260 (h) x 175 (w) x 220 mm (d) 2.1 kg
ED.1303-S / ED.1403-S	260 (h) x 175 (w) x 220 mm (d) 2.2 kg
ED.1505-S / ED.1805-S	260 (h) x 175 (w) x 220 mm (d) 2.3 kg
ED.1302-EVO / ED.1402-EVO	260 (h) x 175 (w) x 220 mm (d) 2.5 kg

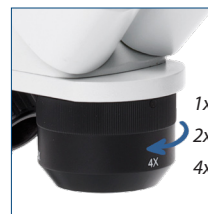
- The coarse adjustment is equipped with tension control
- The stands are alloy metal casted with hardened coating
- The rack & pinion stands of the EduBlue are equipped with graduations and focus point indicator for quick focussing
- EVO models are equipped with a build-in moveable object stage

ILLUMINATION

- The transmitted and incident 1 W LED illuminations can be used simultaneously and the light intensities can be adjusted separately,
- 60 mm working distance
- Evo models have an additional flexible arm with 1 W LED illumination

PACKAGE CONTENT

- Supplied with an external 100-240 V mains adapter/charger and three rechargeable batteries (GP 1800mAh Ni-MH) for corded and cordless use, dust cover, \varnothing 60 mm transparent and black/white stage plates, eyecups and user manual
- All packed in a polystyrene box



Triple magnification



Quick focus scale



Moveable object stage

DIGITAL MODELS

CAMERA

- Digital models are equipped with a 5.0 MP USB 2 1/2.8 inch sensor CMOS USB-2 camera
- Maximum resolution is 2560 x 1920 pixels, 24 bits color depth, up to 30 frames per second. Smaller resolutions are selectable
- Delivered with software, USB-2 cable and a micrometer 1mm/100 slide
- Approximative on-screen field of views:
 - ED.1405-S, 2/4x
20x magnification: 5.73 x 4.08 mm
40x magnification: 3 x 2.16 mm
 - ED.1305-S, 1/3x
10x magnification: 12.1 x 9 mm
30x magnification: 3.9 x 3 mm
- Warranty for the camera is 2 years

SOFTWARE

- Delivered with ImageFocus Plus for capturing of images and videos
- This software also allows a full range of analysis like measurements on still and live images and annotations on captured images
- Save images in .jpg, .tif, .bmp or .dicom formats, save videos in .avi format
- Images can be annotated and measurements can be performed on live or captured images
- Compatible with Windows 10 and higher, all 32 and 64 bits configurations
- A Mac OS version is available
- Updates can be downloaded on our website www.euromex.com

APL (ANTIMICROBIAL PROTECTION LAYER)

Using the same technology already used extensively throughout the healthcare environment in wall coatings, patient lighting, air pressure stabilization and suction liners, APL prevents the growth of unwanted microbes that can cause degradation, discoloration, staining or odors of the Euromex microscopes



MODELS	Bino	Trino	Digital head	1x/3x objectives	2x/4x objectives	1x/2x/3x objectives	1x/2x/4x objectives	Pillar stand	Rack & pinion stand	Movable stage/ flexible light arm
ED.1302-P	•			•				•		
ED.1302-S	•			•					•	
ED.1303-S		•		•					•	
ED.1305-S			•	•					•	
ED.1402-P	•				•			•		
ED.1402-S	•				•				•	
ED.1403-S		•		•					•	
ED.1405-S			•	•					•	
ED.1502-S	•					•			•	
ED.1505-S			•			•			•	
ED.1802-S	•						•		•	
ED.1805-S			•				•		•	
ED.1302-EVO	•			•					•	•
ED.1402-EVO	•				•				•	•



● ED.1302-P



● ED.1505-S



● ED.1303-S



● ED.1402-EVO

ACCESSORIES AND SPARE PARTS

- ED.6005** Pair of HWF 5x/22 mm eyepieces
- ED.6010** Pair of HWF 10x/20 mm eyepieces
- ED.6015** Pair of HWF 15x/12 mm eyepieces
- ED.6020** Pair of HWF 20x/10 mm eyepieces
- ED.6110** HWF 10x/20 mm eyepiece with 10 mm/100 micrometer
- ED.6099** Pair of eyecups

- ED.9570** Pair of object clamps for stage
- ED.9950** Stage plate frosted glass, opaque, Ø 60 mm
- ED.9956** Stage plate black/white, Ø 60 mm
- ED.9975** External 100-240 V mains adapter/ charger
- ED.4300** Aluminium transport case for EduBlue microscopes
Not suitable for ED.3000

- AE.9918** Nylon microscope bag (25 x 39 x 19 cm)
- AE.9912** Euromex dust cover medium (35 x 39 cm)
- SL.5504** LED replacement unit for EduBlue, incident illumination
- SL.5505** LED replacement unit for EduBlue, transmitted illumination

- AE.9918** Nylon microscope bag (25 x 39 x 19 cm)
- AE.9912** Euromex dust cover medium (35 x 39 cm)

- AE.1112** Micrometer 76 x 26 mm slide, 50 mm/50 divisions
- PB.5245** Lens cleaning paper, 100 sheets per pack
- PB.5274** Isopropyl alcohol 99% (200 ml)
- PB.5275** Cleaning kit: lens cleaning fluid, lint free lens tissue, brush, air blower, cotton swabs



● ED.4300

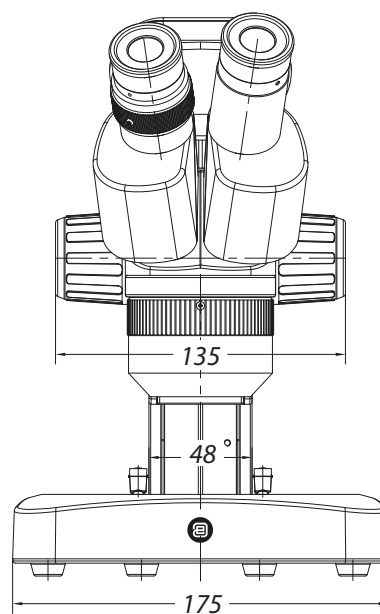
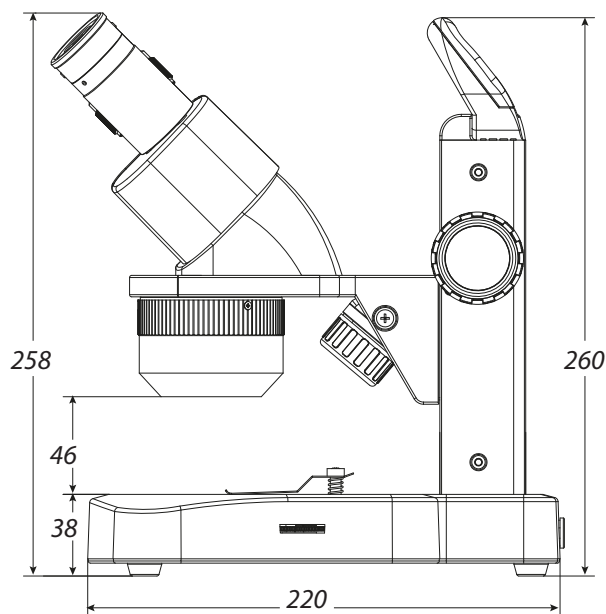


● AE.9918



● AE.9912

DIMENSIONS



RYF AG

RYF AG
Bettlachstrasse 2
CH-2540 Grenchen
Tel +41 32 654 21 00

www.ryfag.ch

RYF SA Succursale
Route de Genève 9c
CH-1291 Commugny
Tel +41 22 776 82 28

ryfag@ryfag.ch

RYF AG (Zürich)
Im Hanselmaa 10
CH-8132 Egg / Uster/ZH
Tel +41 43 277 59 99

CHE-106.926.853 MWST
SWIFT-Code RSOSCH22
IBAN-Nr. CH80 0878 5016 0009 9850 6

