

Oxion

for life science

HIGHLIGHTS

- HWF 10x/22 mm eyepieces
- Binocular and trinocular models
- Optional tilting head
- Reversed nosepiece for 5 objectives
- Semi plan and plan IOS objectives
- 150 x 140 mm stage
- 3 W LED illumination
- Ergonomic stand and head
- 10 years warranty



OX.3035 ●

OX.3030 TO OX.3065
397 (h) x 185 (w) x 294 (d) mm | 7.5 kg

TECHNICAL SPECIFICATIONS

EYEPIECES

- HWF 10X/22 mm eyepieces with $\pm 5^\circ$ diopter adjustments on both eyepieces
- All eyepieces can be secured with an Allen screw

HEAD

- Binocular and trinocular Siedentopf type heads with 30° inclined tubes
- Interpupillary distance from 50 to 75 mm
- A unique rotating system allows an ergonomic positioning of both tubes in an upper (431 mm) and in a lower position (397 mm)
- Ergonomic tilting head available

NOSEPIECE

Reversed nosepiece for a maximum of five objectives on ball bearings

OBJECTIVES – IOS INFINITY CORRECTED SYSTEM

- Semi plan 4x/0.10, 10x/0.25, S40x/0.65 and S100x/1.25 oil immersion IOS objectives
- Plan 4x/0.10, 10x/0.25, S40x/0.65 and S100x/1.25 oil immersion IOS objectives standard, optional 20x/0.40 and S60x/0.85 objectives
- Plan phase contrast S40x/0.65 and S100x/1.25 oil immersion IOS objectives
- Plan semi apochromatic Fluarex 10x/0.25, S40x/0.65 and S100x/1.25 oil immersion IOS objectives standard, optional 20x/0.50 objectives

As an option available: plan 20x/0.40 infinity corrected IOS objective and plan S60x/0.85 infinity corrected IOS objective

All S40x, S60x and S100x oil immersion objectives are spring loaded

All optics have an anti-reflection coating for maximum light throughput and are anti-fungus treated

STAGE

Equipped with double slide holder

- 150 x 140 mm stage with integrated X-Y mechanical stage
- The Oxion can be supplied with a heating stage with PID temperature controller which can be set up to 50° Celsius (Only available for new microscopes)



● AE.5168-O



Ergohead - OX.9504 ●

CONDENSER FOR BRIGHTFIELD

- Height adjustable Abbe condenser N.A. 1.25 with iris diaphragm
- A darkfield stop in slider can be inserted in the condenser for darkfield contrast up to 400x magnification (optional)

FOCUSING

- Coaxial coarse and fine adjustments, 200 graduations, 1 μm per graduation, 200 μm per rotation, total travel approximately 28 mm
- Supplied with an adjustable rack stop to prevent damage to sample and objectives
- The coarse adjustments are equipped with friction control

ILLUMINATION FOR BRIGHTFIELD



- All models are supplied with a 3 W adjustable NeoLED™ illumination with integrated 100-240 V power supply
- Köhler illumination with field diaphragm

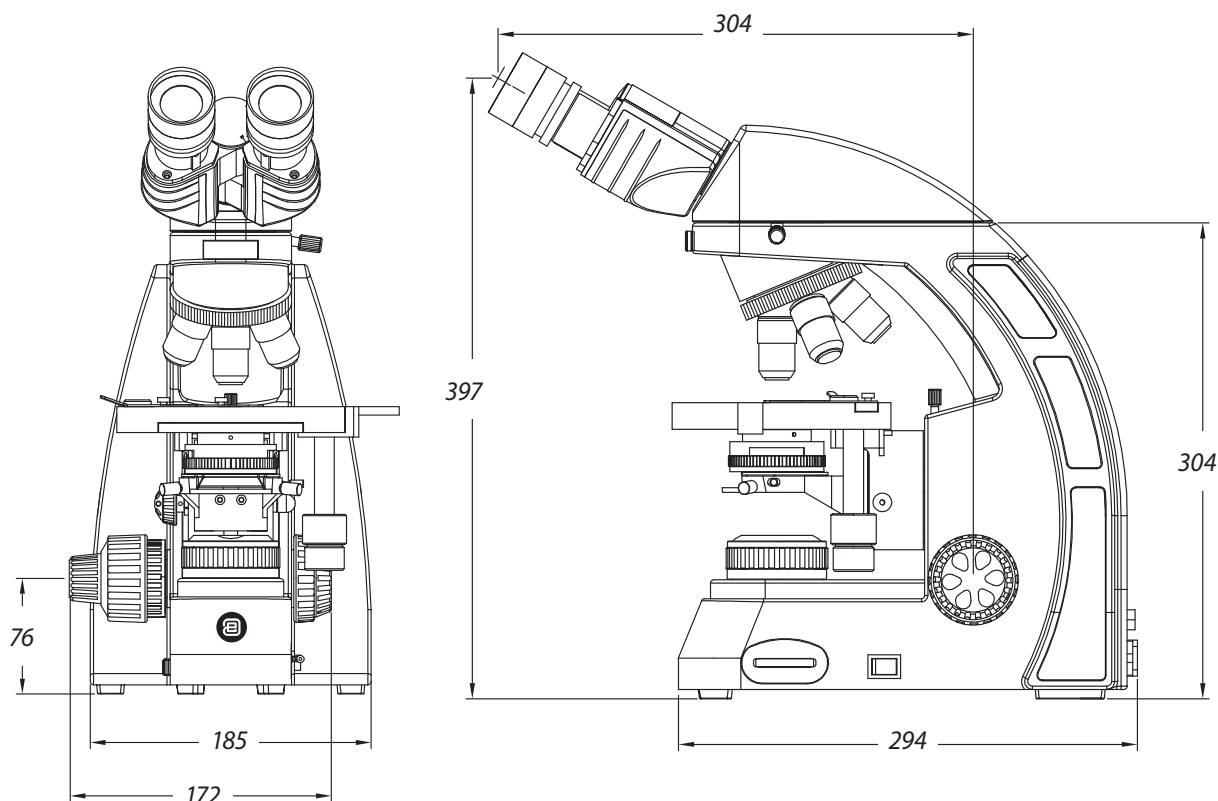
PACKAGE CONTENT

- Supplied with power cord, dust cover, a spare fuse, user manual and 5 ml immersion oil for models with a S100x objective
- All packed in a polystyrene box



OX.3065 ●

MODELS	Binocular	Trinocular	Plan 4x/10x/540 IOS objectives	Plan S100x oil objective	Plan semi apo Fluarex 4x/10x/540x objectives	Plan semi apo S100x oil IOS objective
OX.3030	•		•	•		
OX.3035		•	•	•		
OX.3065		•			•	•



ACCESSORIES AND SPARE PARTS

EYEPIECES

- AE.3210** HWF10x/22mm eyepiece
- AE.3215** HWF15x/13mm eyepiece
- AE.3223** HWF10x/22mm eyepiece with 10mm/100 micrometer
- AE.3225** Pair of eyecups

OBJECTIVES

- AE.3160** Semi plan 4x/0.10 infinity corrected IOS objective. WD 15 mm
- AE.3162** Semi plan 10x/0.25 infinity corrected IOS objective. WD 15 mm
- AE.3166** Semi plan S40x/0.65 infinity corrected IOS objective. WD 0.42 mm
- AE.3168** Semi plan S60x/0.85 infinity corrected IOS objective
- AE.3102** Plan 2x/0.06 infinity corrected IOS objective. WD 4.1 mm
- AE.3104** Plan 4x/0.10 infinity corrected IOS objective. WD 11.9 mm
- AE.3106** Plan 10x/0.25 infinity corrected IOS objective. WD 12.1 mm
- AE.3108** Plan 20x/0.40 infinity corrected IOS objective. WD 1.5 mm
- AE.3110** Plan S40x/0.65 infinity corrected IOS objective. WD 0.36 mm
- AE.3114** Plan S100x/1.25 oil immersion infinity corrected IOS objective. WD 0.18 mm

- AE.3146** Plan semi apochromatic Fluarex 10x/0.30 infinity corrected IOS objective. WD 10.6 mm
- AE.3148** Plan semi apochromatic Fluarex 20x/0.50 infinity corrected IOS objective. WD 2.33 mm
- AE.3152** Plan semi apochromatic Fluarex S40x/0.75 infinity corrected IOS objective. WD 0.6 mm
- AE.3156** Plan semi apochromatic Fluarex S100x/1.28 oil immersion infinity corrected IOS objective. WD 0.21 mm
- AE.3130** Plan phase S40x/0.65 infinity corrected IOS objective. WD 0.36 mm
- AE.3134** Plan phase S100x/1.25 oil immersion infinity corrected IOS objective. WD 0.18 mm

WD = Working distance

PHASE CONTRAST ATTACHMENTS

- AE.3180** Telescope for alignment of phase contrast rings
AE.3187 Slider with phase rings for 10x and S40x plan phase contrast objectives

POLARIZATION ATTACHMENTS

- AE.3190** Polarizer/Analyzer set
AE.3192 Polarizer slider for nosepiece
AE.3194 Polarizer for lamp house

FILTERS

- AE.3196** Frosted filter 45 mm, sits on lamp house
AE.3198 Blue filter 45 mm, sits on lamp house
AE.3200 Yellow filter 45 mm, sits on lamp house
AE.3202 Green filter 45 mm, sits on lamp house

CAMERA ACCESSORIES

- AE.5120-2** Standard 23,2 mm tube for 31 mm diameter photo port (revision 2) and for all Oxion Inverso inverted microscopes
AE.5130 Universal SLR camera adapter for 23.2 mm tubus with built-in 2x magnification lens. Needs T2 adapter and OX.5120
AE.5025 T2 adapter for Nikon D digital SLR cameras
AE.5040 T2 adapter for Canon EOS digital SLR cameras

MISCELLANEOUS

- OX.9504** Ergonomical head for Oxion
OX.9810 CS/C mount with 1.0x objective
OX.9833 C-mount adapter with 0.33x objective for Oxion microscopes and 1/3" cameras
OX.9850 C-mount adapter with 0.5x objective for Oxion and Oxion Inverso microscopes and 1/2" cameras
AE.5168-0 Heating stage and temperature controller up to 50°C. Only supplied with new purchased microscopes
SL.5511 LED replacement for Oxion
AE.3199 Glass fuses 3.15 A 250 V, 10 pieces
OX.3010 Aluminum transport case with flight case locks
OX.3011 Aluminum transport case with classical locks

DISPOSABLES

- PB.5155** Microscope slides 76 x 26 mm, ground edges, 50 pieces
PB.5165 Cover glasses 18 x 18 mm, thickness 0.13-0.17 mm, 100 pieces
PB.5168 Cover glasses 22 x 22 mm, thickness 0.13-0.17 mm, 100 pieces
PB.5245 Lens cleaning paper, 100 sheets per pack
PB.5255 Immersion oil, n = 1.515 (25 ml)
PB.5274 Isopropyl alcohol 99% (200 ml)
PB.5275 Cleaning kit: lens cleaning fluid, lint free lens tissue, brush, air blower, cotton swabs



● AE.3180



● AE.3187