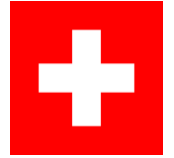




Ryf Universal-Stand RUS w/ Tube Holder and focusing device RSZ

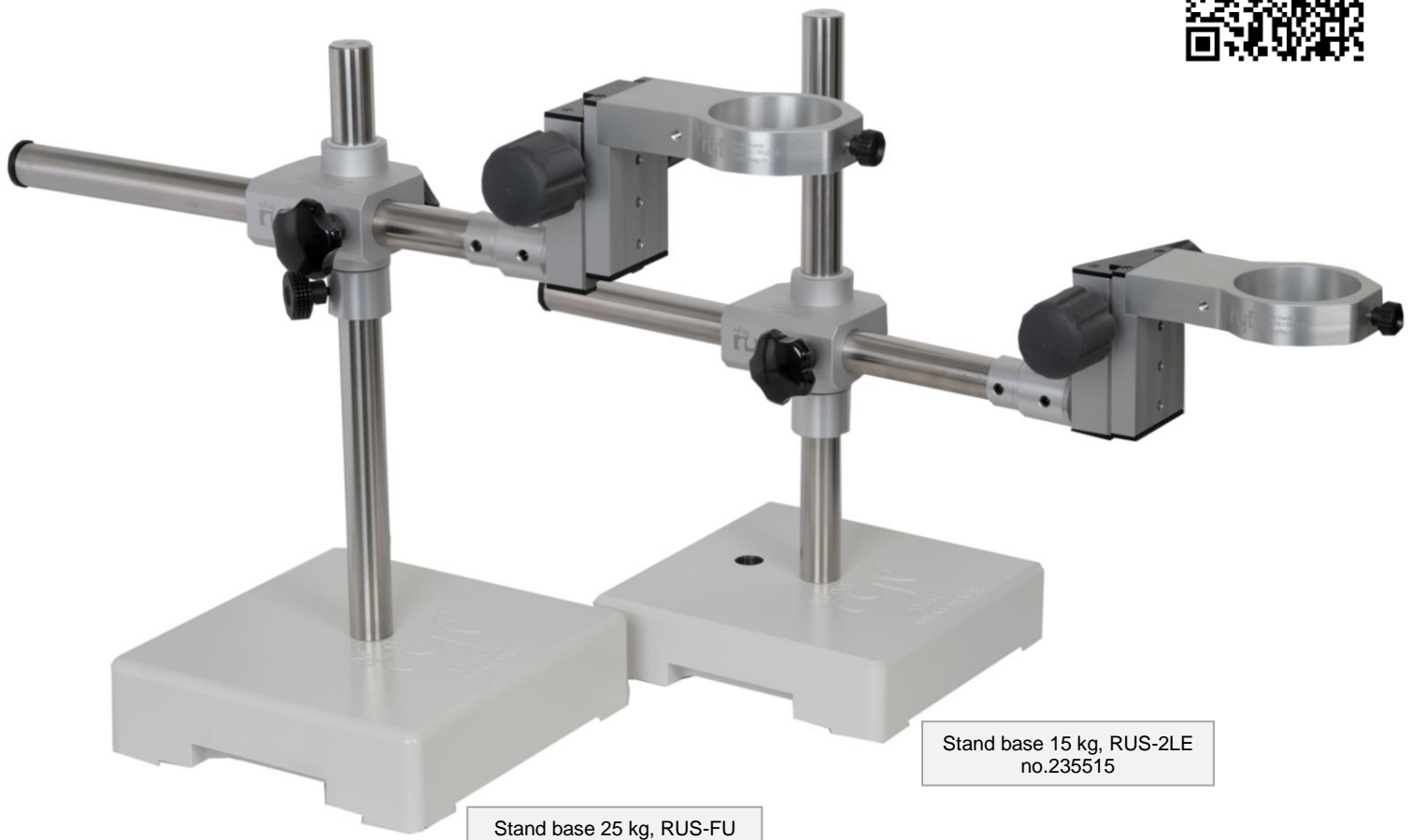
Ryf modular system for stereoscopic microscopes:



The only manufacturer in Europe!

Everything from a single source & our own CNC production.

Swiss made



Stand base 15 kg, RUS-2LE
no.235515

Stand base 25 kg, RUS-FU
no. 235510



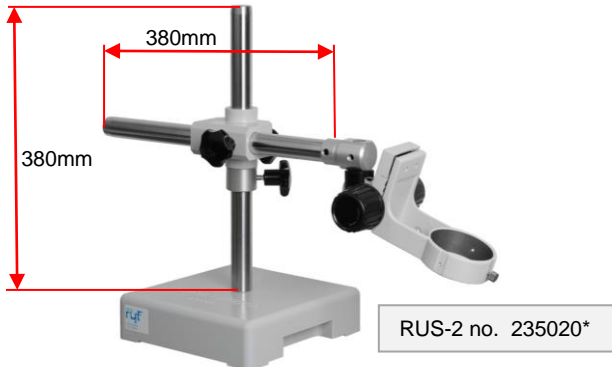
Ryf AG
Bettlachstrasse 2
CH-2540 Grenchen
T +41 32 654 21 00
ryfag@ryfag.ch
www.ryfag.ch
Shop: shop.ryfag.ch

Ryf SA
Succursale VD/GE
Route de Genève 9c
1291 Commugny
ryfag@ryfag.ch
T +41 22 776 82 28
www.ryfag.ch

Ryf AG
Zweigniederlassung ZH
Im Hanselmaa 10
8132 Egg / Uster/ZH
T +41 43 277 59 99
ryfag@ryfag.ch
www.ryfag.ch



Ryf Universal-Stand RUS w/ Tube Holder and focusing device RSZ



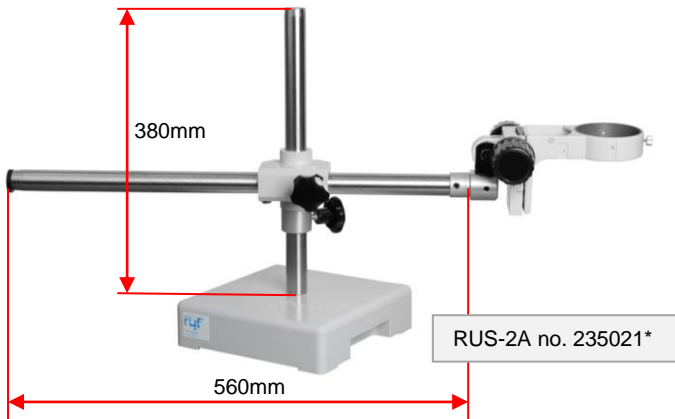
Ryf standard universal stand RUS-2 with 25 kg base CNC machined from solid steel cast (or new with the 15 kg base).



Base 15 kg, powder-coated
RUS-2LE no.235515



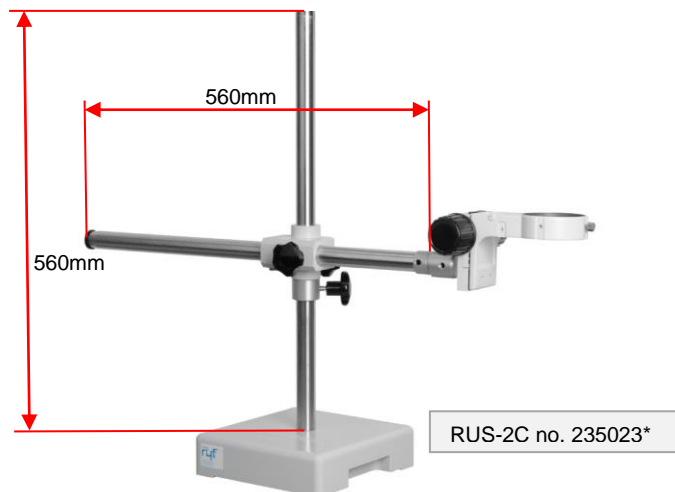
Ryf standard universal stand RUS-2 with 25 kg base CNC machined and extra-long 560 mm INOX horizontal bar.



Ryf Standard universal stand RUS-2 with 25 kg base machined from a solid steel and extra-long vertical INOX rod of 560 mm.



Ryf Standard universal stand RUS-2 with 25 kg base machined from a solid steel and extra-long vertical and horizontal INOX rod of 560 mm.



Suitable for all common stereo microscopes from:
[Nikon](#) / [Leica](#) / [Zeiss](#) / [Olympus](#) / [Ryeco RSZ-45](#)



Ryf Universal-Stand RUS w/ Tube Holder and focusing device RSZ

RUS-1 no. 235010*

H 560mm = RUS-1A no. 235011
V 560mm = RUS-1B no. 235012
HV 560mm = RUS-1C no. 235013



Ryf standard universal stand RUS-1 with solid aluminium table clamp, milled from aluminium, anodized (plate thickness 10mm to max. 65mm)

no. 235500

Ryf standard universal stand RUS-3 with CNC machined aluminium base, anodized RUS-SL for screw-on / table mounting with 4x M8 screws.

(hole pattern = 110 x 140mm / external dimensions = 150 x 180mm).



RSU-3FU no. 235520

RUS-3 no. 235030*

H 560mm = RUS-3A no. 235031
V 560mm = RUS-3B no. 235032
HV 560mm = RUS-3C no. 235033



Ryf standard universal stand RUS-4 with CNC turned aluminum base RUS-4FU, white powder painted, for screw-on / table mounting with 3x M8 screws.

(hole pattern = 3 x Ø8.4mm on Ø100mm / Ø outside = Ø128mm)



RUS-4FU no. 235034

RUS-4 no. 235040.1

H 560mm = RUS-4A no. 235041.3
V 560mm = RUS-4B no. 235042.3
HV 560mm = RUS-4C no. 235043.3



Universal stand Ryf RUS system:

The Swiss RUS system allows the mounting of stereo tubes and our tube holder RSZ-15 or Nikon, Leica, Zeiss, Olympus, Ryeco and OEM microscopes.

This model is ideal for viewing large parts and may be used for multiple workstations thanks to its wide swivel range with long reach (with extension on request).

Specification RUS-1 & RUS-2:

min/max. Boom L	= 240 – 500mm
Travel vertical	= 245mm (*470)
Travel horizontal	= 260mm (* 430)
Weight	= 4,5kg (RUS-2 = 25 kg)
Horizontal boom	= 360° rotatable
(* Version «RUS-2L » Extralang)	

* Tube holder RSZ-15 is not included, please refer to page 4



Swiss Made

Ryf Universal-Stand RUS w/ Tube Holder and focusing device RSZ

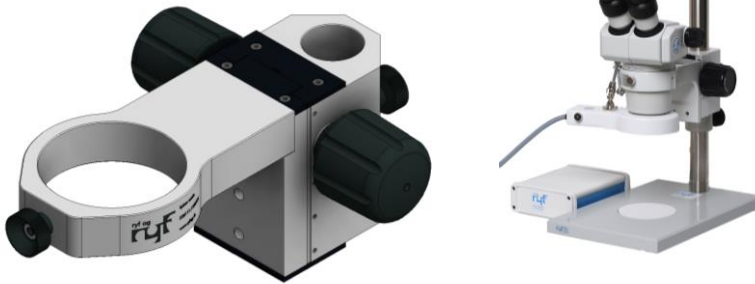
Tube holder RSZ-15 from our own Swiss production



RSZ-15 no. 235113

Microscope tube holder with focusing device Ryf RSZ-15: for stand RUS-1/ RUS-2 and for stereomicroscopes from Nikon, Leica, Zeiss, Olvmous, Navitar und Ryeco,

Tube holder with focusing device RSZ-32:
for universal stand RUS-1/ RUS-2 with Ø 32mm bore + rod Ø 32mm (from our own production).



RSZ-32 no. 235132



RUS-FU no. 235510

RUS-2LE no. 235515

Heavy cast steel base CNC machined for the universal stand Ryf RUS-2:
- Base 25 kg, powder-coated, RUS-FU no. 235510
- Base 15 kg, powder-coated RUS-2LE no.235515

