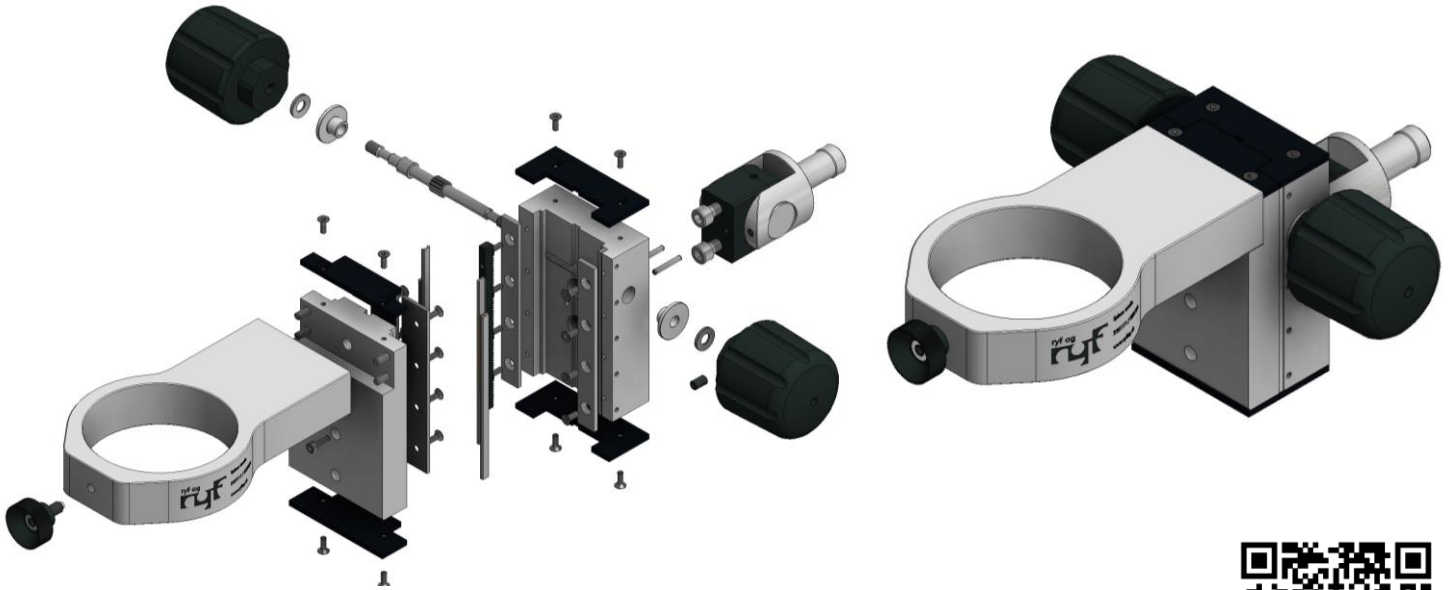


# Ryf RSZ-15 rack tube holder for RUS stand

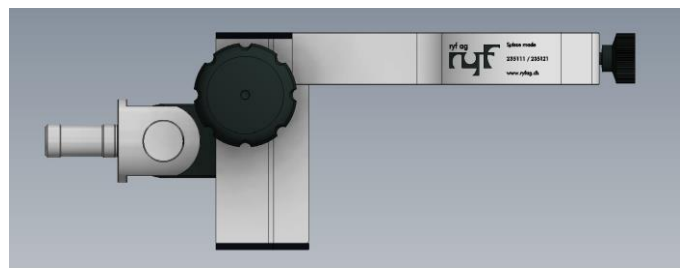
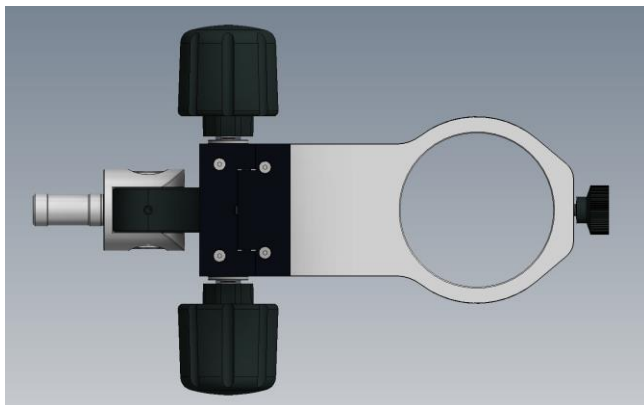
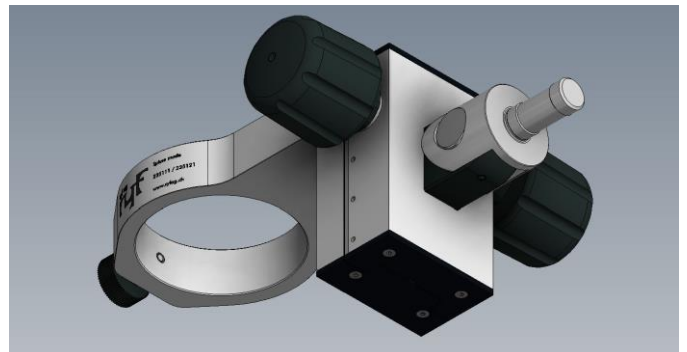
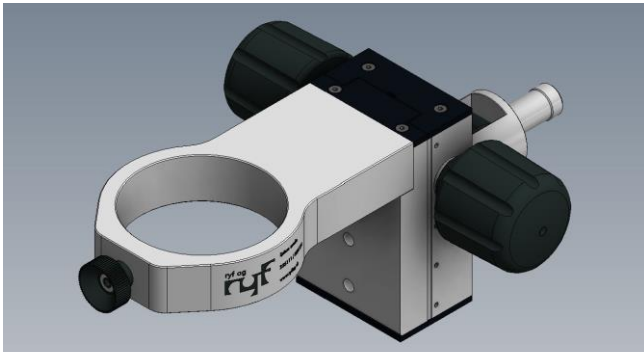


Ryf RSZ-15: SAP Nr. 235113

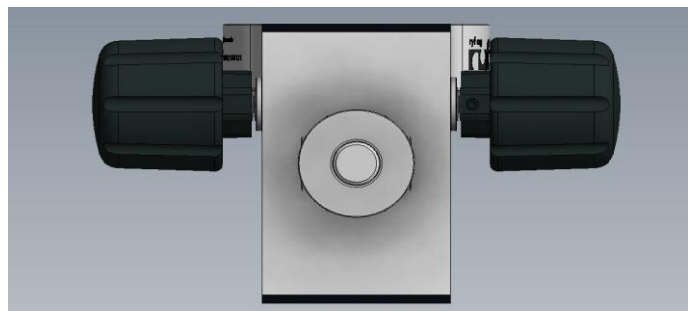
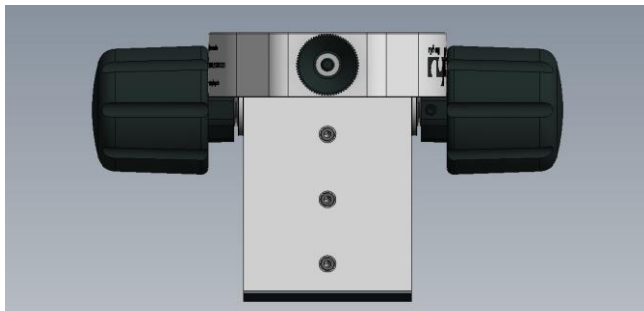


# Ryf RSZ-15 rack tube holder for RUS stand

**Ryf modular system for stereoscopic microscopes:**  
The only manufacturer in Europe!  
Everything from a single source & our own CNC production.



Various views of our new Ryf RSZ-15 rack-and-pinion tube holder, from our own CNC production and assembly facility in Grenchen/Switzerland.



### Environmentally friendly production:

- Short routes - from production to customer.
- no expensive single-use packaging.
- Easy-to-maintain design - even after years, we can repair the RSZ-15 for our customers.
- Environmentally-friendly production to ISO 14001.

### Why Swiss Made?

It is very efficient and environmentally friendly, and we repatriate production to Europe where it makes sense. For example, when superior quality is required (MedTech or the watchmaking industry).



# Ryf RSZ-15 rack tube holder for RUS stand

**Modular Swiss Made Ryf RUS Universal Stand and OEM RSZ-15 tube holder for stereomicroscopes from NIKON, Leica, Ryeco, Olympus, Zeiss and many others.**



**Ryf RUS-1** universal stand with heavy-duty, milled-in table clamp. Horizontal and vertical stainless-steel bars are available in two standard lengths (special lengths are also available on request).



**Ryf RUS-2** universal stand with fully milled 25 kg cast-iron base, or with lighter 15 kg cast-iron base for smaller microscopes. Horizontal and vertical stainless steel rods are available in two standard lengths (special lengths are also available for larger quantities).

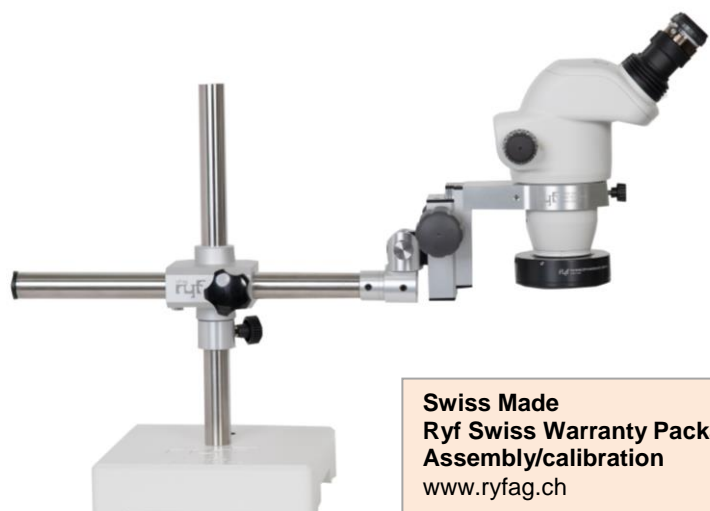
**Ryf RUS-3** Universal stand with milled aluminum base, screw-on.

**Ryf RUS-4** Universal stand with the smallest turned aluminum base, screw-on (no image).

Stainless steel horizontal and vertical bars are available in two standard lengths.

For further details, see the Ryf RUS brochure, including the **Ryf RUS-5 swivel-arm stand**.

Typical application: Nikon SMZ745 or SMZ445 stereomicroscope with RUS-2 stand, RSZ-15 tube holder and Ryf RL4b LED or NKL-12 LED illumination, all from our own CNC production in Switzerland.



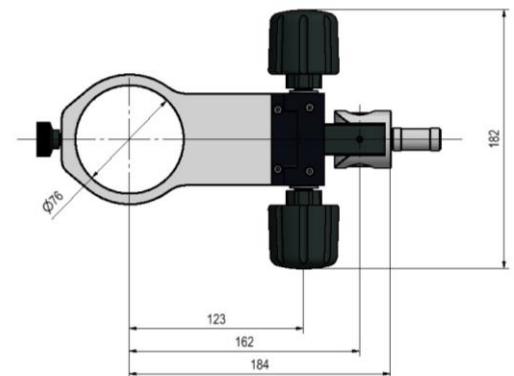
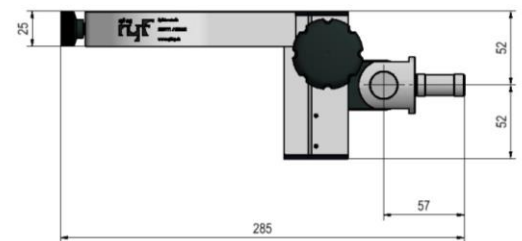
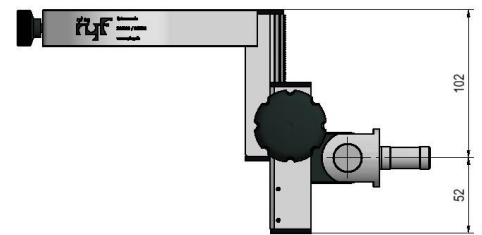
**Swiss Made**  
**Ryf Swiss Warranty Package & Assembly/calibration**  
[www.ryfag.ch](http://www.ryfag.ch)

# Ryf RSZ-15 rack tube holder for RUS stand



As a market leader in microscopy and optical measurement, control and test systems, Ryf S.A. needs micro-mechanical solutions for its own manufacturing and for customer-specific solutions. Special solutions, micromechanical CNC manufacturing competence is always present. Modern machinery: Various CNC milling centers with three to five axes, CNC drilling and milling machines, CNC lathes, point lathes as well as benchtop milling machines form the basis for the economical and ultra-precise manufacture of subassemblies.

[www.ryfag.ch](http://www.ryfag.ch)



**USP: Sustainably and environmentally friendly manufactured in Switzerland**



**After Sales Service**



**Maintenance**



**After-sales service - Service Ryf Ltd. :**

Measuring equipment and microscopes need to be checked, calibrated and cleaned at regular intervals. A Ryf S.A. maintenance and service contract saves you from unpleasant surprises, because at the agreed date (after 12, 18 or 24 months) we will automatically contact you and carry out the maintenance in accordance with the state of the art. Of course, we also carry out work without a maintenance contract.

**Ryf AG**  
Bettlachstrasse 2  
CH-2540 Grenchen  
T +41 32 654 21 00  
ryfag@ryfag.ch  
www.ryfag.ch  
Shop: shop.ryfag.ch

**Ryf SA**  
Succursale VD/GE  
Route de Genève 9c  
1291 Commugny  
ryfag@ryfag.ch  
T +41 22 776 82 28  
www.ryfag.ch

**Ryf AG**  
Zweigniederlassung ZH  
Im Hanselmaa 10  
8132 Egg / Uster/ZH  
T +41 43 277 59 99  
ryfag@ryfag.ch  
www.ryfag.ch