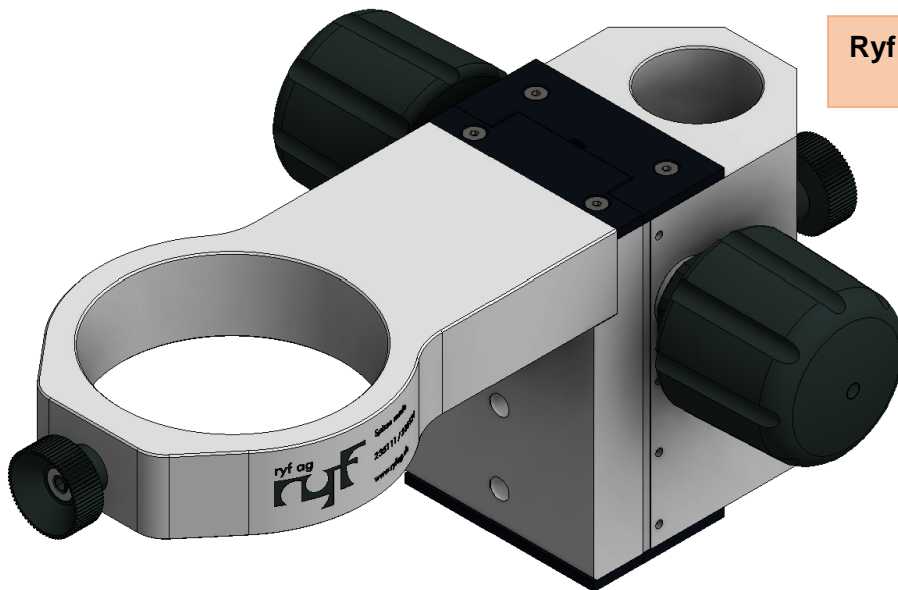
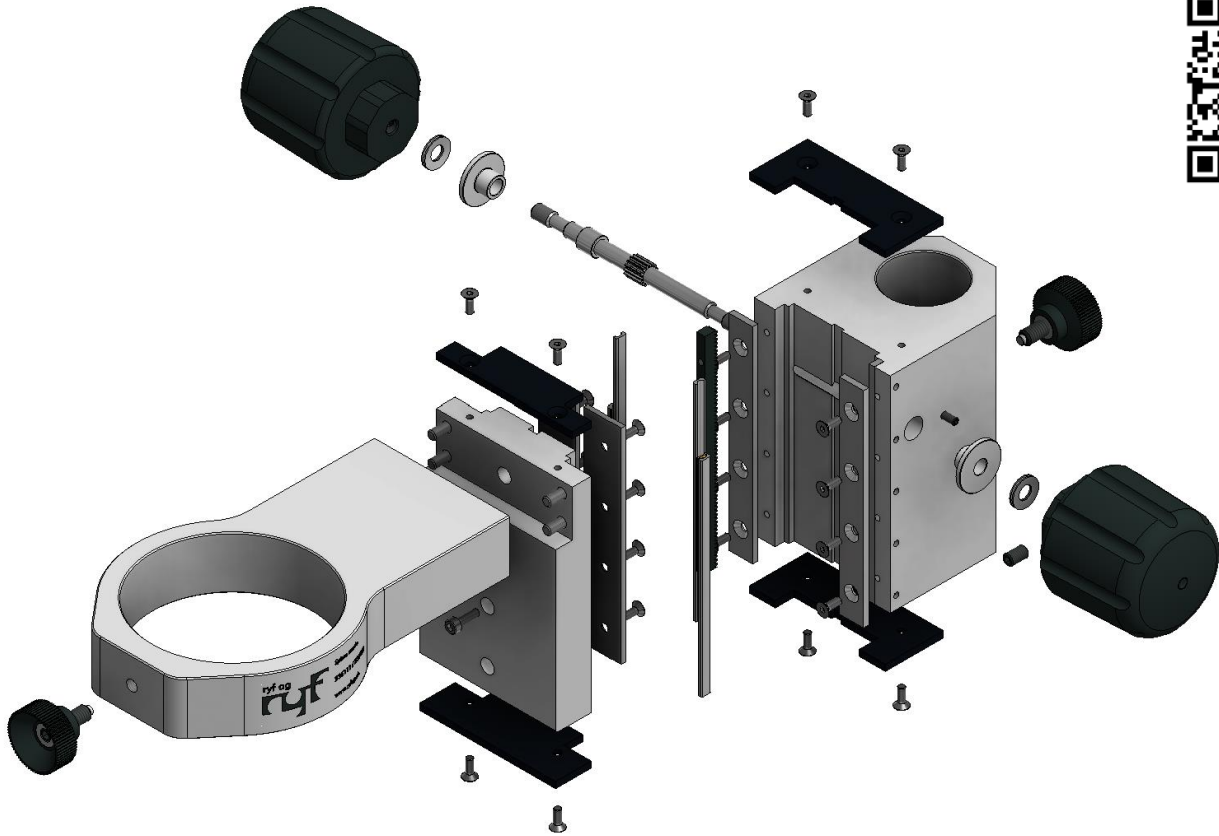


Ryf RSZ-32 Rack Tube Holder for stereo Microscopes with Ø32mm

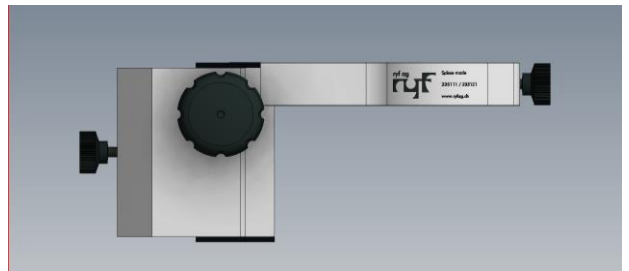
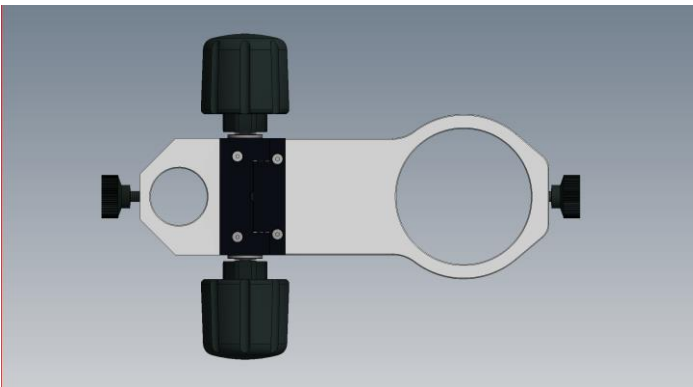
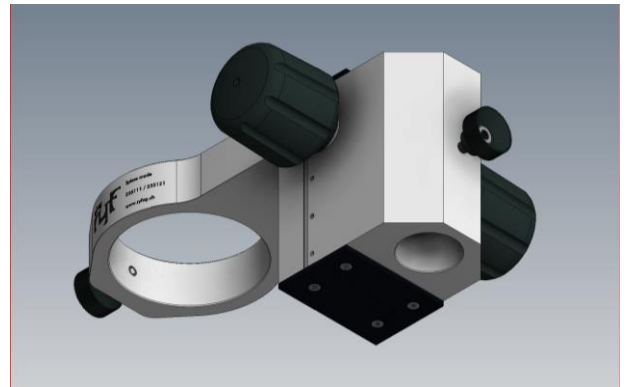
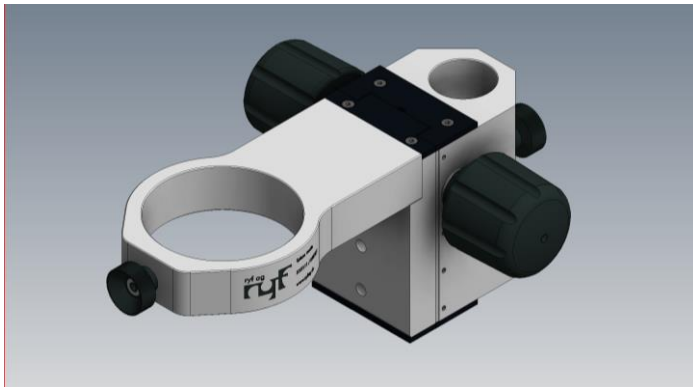


Ryf RSZ-32: SAP Nr. 235132
(Ø 32mm)

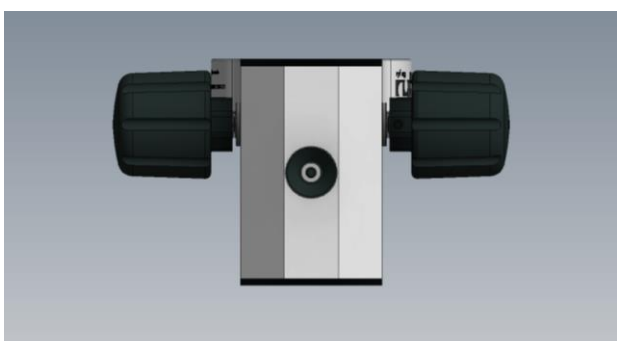
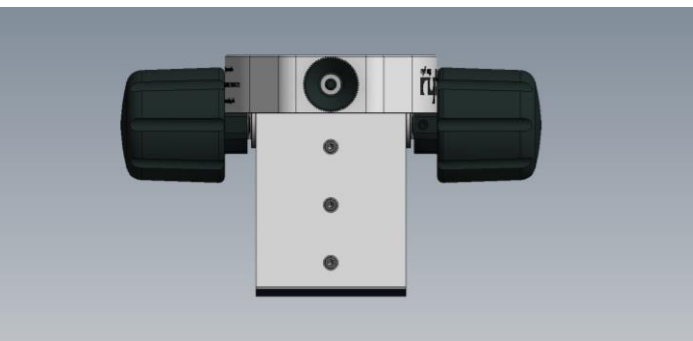


Ryf RSZ-32 Rack Tube Holder for stereo Microscopes with Ø32mm

Ryf modular system for stereoscopic microscopes:
 The only manufacturer in Europe!
 Everything from a single source & our own CNC production.



Various views of our new RSZ-15 rack-and-pinion tube holder, from our own CNC production and assembly facility in Grenchen/Switzerland.



Environmentally friendly production:

- Short routes - from production to customer.
- no expensive single-use packaging.
- Easy-to-maintain design - even after years, we can repair the RSZ-15 for our customers.
- Environmentally-friendly production to ISO 14001.

Why Swiss Made?

- It is very efficient and environmentally friendly, and we repatriate production to Europe where it makes sense.
- For example, when superior quality is required (MedTech or the watchmaking industry).

www.ryfag.ch

Ryf RSZ-32 Rack Tube Holder for stereo Microscopes with Ø32mm

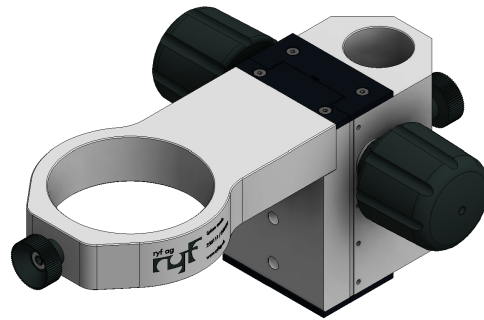
Modular Swiss Made Ryf stand and OEM RSZ-32 tube holder for stereomicroscopes from NIKON, Leica, Ryeco, Olympus, Zeiss and many others.



Rack-and-pinion tube holder RSZ-32: Rack tube holder with pinion and bore Ø 32mm, for standard RSMZ-ST stand.

For stereo microscopes from Nikon, Leica, Zeiss, Olympus, Ryf, Ryeco RSZ-45 and Navitar. With M5/M6 for mounting the arm for our Ryf RL-4b or Ryf NKL12 LED illuminators, etc.

For example: The RSMZ-ST2 stand is designed for use as a rack-pinion tube holder for microscopes from Nikon, Leica, Zeiss, Olympus, Ryf, Ryeco RSZ-45, and OEM. Standard 200 x 300 mm aluminum stand, with Ø 90mm b/w Plexiglas plate and 255mm, 400mm or 600mm long column, with Ø32mm rod.



Typical application: Nikon SMZ745 or SMZ445 stereomicroscope with RSMZ-ST2 stand, RSZ-32 tube holder and Ryf RL4b LED or NKL-12 LED illumination, all from our own CNC production in Switzerland.



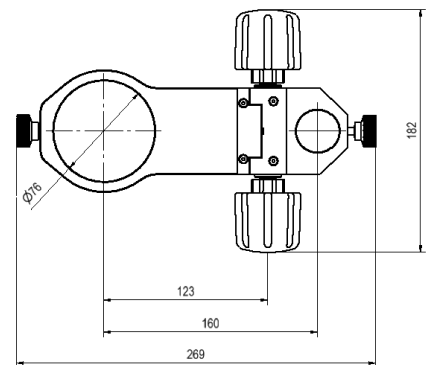
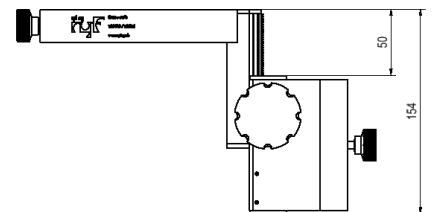
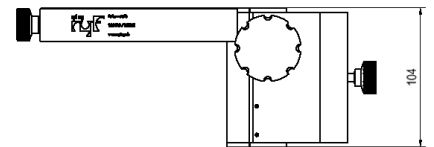
Ryf Swiss Warranty Package & Assembly/calibration - www.ryfag.ch

Ryf RSZ-32 Rack Tube Holder for stereo Microscopes with Ø32mm



As a market leader in microscopy and optical measurement, control and test systems, Ryf S.A. needs micro-mechanical solutions for its own manufacturing and for customer-specific solutions. Special solutions, micromechanical CNC manufacturing competence is always present. Modern machinery: Various CNC milling centers with three to five axes, CNC drilling and milling machines, CNC lathes, point lathes as well as benchtop milling machines form the basis for the economical and ultra-precise manufacture of subassemblies.

www.ryfaq.ch



USP: Sustainably and environmentally friendly manufactured in Switzerland



SAV Ryf sur site



Maintenance et Service



After-sales service - Service Ryf Ltd.:

Measuring equipment and microscopes need to be checked, calibrated and cleaned at regular intervals. A Ryf S.A. maintenance and service contract saves you from unpleasant surprises, because at the agreed date (after 12, 18 or 24 months) we will automatically contact you and carry out the maintenance in accordance with the state of the art. Of course, we also carry out work without a maintenance contract.

Ryf AG
Bettlachstrasse 2
CH-2540 Grenchen
T +41 32 654 21 00
ryfag@ryfag.ch
www.ryfag.ch
Shop: shop.ryfag.ch

Ryf SA
Succursale VD/GE
Route de Genève 9c
1291 Commugny
ryfag@ryfag.ch
T +41 22 776 82 28
www.ryfag.ch

Ryf AG
Zweigniederlassung ZH
Im Hanselmaa 10
8132 Egg / Uster/ZH
T +41 43 277 59 99
ryfag@ryfag.ch
www.ryfag.ch