

Stereo Microscope Nikon SMZ745 (Bino)



- **The 7.5x zoom is the most powerful in its price class**
- **115 mm working distance, the highest in its price class**
- **Improved contrast ratio due to new prisms**
- **Air and oil mist / emulsion tight!**
- **Anti-electrostatic => ESD**
- **Ideal for workshop, production, inspection and décolletages**

Stereo Microscope Nikon SMZ745 (Bino)



With incident light stand or LED transmitted light stand and Ryf RL4b LED illumination (permanently mounted with adapter)

The SMZ745 stereomicroscope from Nikon has the largest zoom range in its class with 7.5x zoom. By optimising the optical "Greenough" system, Nikon was able to achieve a 7.5x zoom and a magnification range of 6.7x to 50.0x with 10x standard eyepieces (see various eyepieces and attachment lenses for magnifications and working distances).

In addition, the SMZ745 is equipped with a zoom button with "click-stops" for each zoom level, thus enabling the exact reproduction of a magnification. The microscope offers protection against electrostatic charges. In addition, the microscope can be used in environments with high temperatures and high humidity.

Of course, a wide variety of Ryf illumination systems can be used, such as NKL-12 LED ring illuminators, RL-4b LED ring illuminators, Ryf-Schott glass fibre illuminators, transmitted light stands or various Ryf-RUS universal stands (Swiss Made).



With incident light stand or LED transmitted light stand and Ryf RL-4 LED illumination with diffuser (illumination permanently mounted with ring adapter, diffuser is removable).



Front side:

With C-PS incident light stand, Ryf NKL12 LED lighting with built-in diffuser and 4-part Ryf RGH articulated arm. Also available with fixed adapter on request (see photo).

Stereo Microscope Nikon SMZ745 (Bino)



With Ryf RUS-2 universal stand (from our own CNC production, Swiss Made) and Ryf-RL-4b LED lighting with diffuser or as below with Ryf NKL-12LED and the new RGH-4 arm.



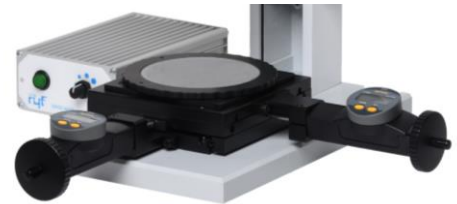
Ergonomics

The zoom knob is equipped with "click stops" for selecting fixed magnifications. The large working distance of 115mm is also suitable for a wide range of work with tools.

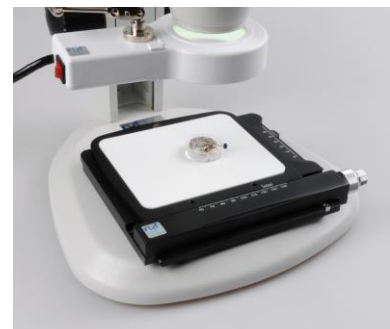
Designed for various applications and environments

Standard ESD protection. Suitable for use in high humidity and high ambient temperatures. Large range of accessories from Nikon, Ryeco, Statlight, Schott and Ryf AG.

Additionally with Ryf RMT2-50, 50x50mm X-Y measuring table and RT-2 rotary table (Swiss Made)



Additionally with a single sliding table Ryf STK-1



Main features

1) The 7.5x zoom is the most powerful in its price class.

The zoom range of 0.67x to 5x fulfils a great need, as it offers a large viewing area.

2) 115 mm working distance, the highest in its price class.

Despite the large zoom range, the working distance is 115 mm (without attachment lenses).

3) Improved contrast ratio thanks to new prisms. By using the latest prisms, the contrast has been further increased. Clear, true-colour images are the result.

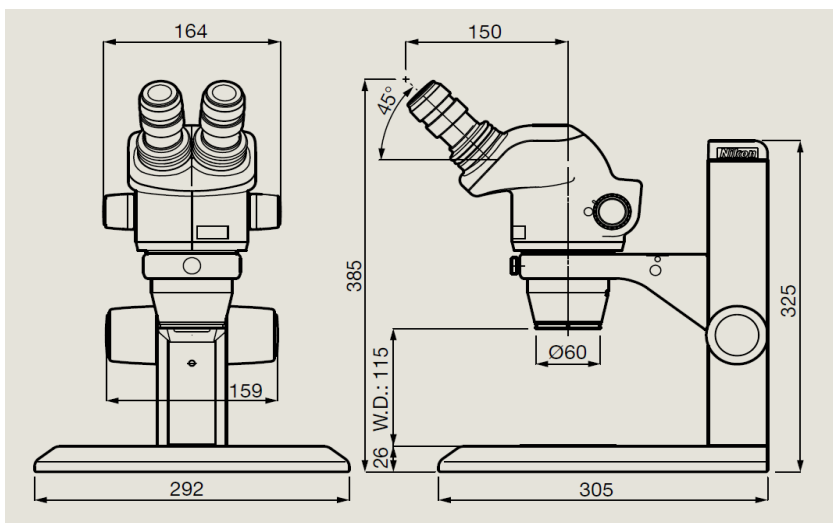
Stereo Microscope Nikon SMZ745 (Bino)

Specifications

Product code	MMA36400 (zoom head only)
Product Name	SMZ745 Binocular stereo microscope
Total magnification range	3.35-300x, depending on the eyepiece and auxiliary objective used, large magnifications are not suitable for every application, please contact Ryf AG!
Zoom ratio	7.5:1
Zoom range	0.67-5x (click stops built in)
Eyepiece (standard, field of view 22)	AZ-W 10x, F.N. 22, with dioptre adjustment and locking screw, knurled
Binocular tube Inclined position	45 °
Pupil distance adjustable	52-75 mm
Electrostatic decay time (ESD)	1000 V to 10 V: > 0.2 sec.
Air tightness head	JIS/IEC Waterproof / waterproof grade 1 / with O-rings and rubber seals
Anti-fungus / anti-mould design	Standard
Working distance	115 mm (without attachment lens)

Accessories

Additional eyepieces, (F.N. / field of view)	15x (16mm), 20x (12.5mm), 30x (7mm) (standard = 10x)
Attachment lenses, (working distance)	G-AL 0.5x (211 mm), G-AL 0.7x (150 mm), G-AL 1.5x (61 mm), G-AL 2x (43.5 mm)
Illumination systems	Ryf NKL-12LED with built-in super diffuser and Ryf RL4b LED ring light with diffuser, Ryf RLQ glass fibre ring light (Swiss Made), Nikon LED transmitted light stand C-LEDS
Object stages	RKT-1 sphere tilting stage, BRK sphere magnet holder with putty mass, Swiss Made
Universal stand	RUS-1/RUS-2/RUS-3 Ryf universal table tripods, Swiss Made



Ryf fully assembled Boxing Service: out of the box & "plug and play" in less than 30 Seconds

