

## LED Ring Light

# RL4b

100-010128



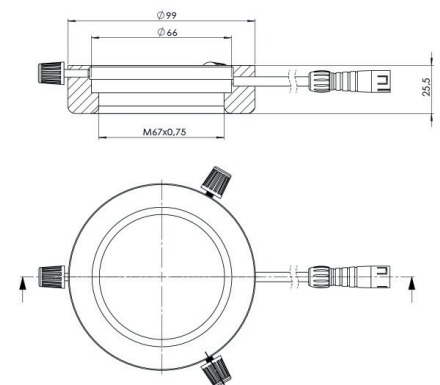
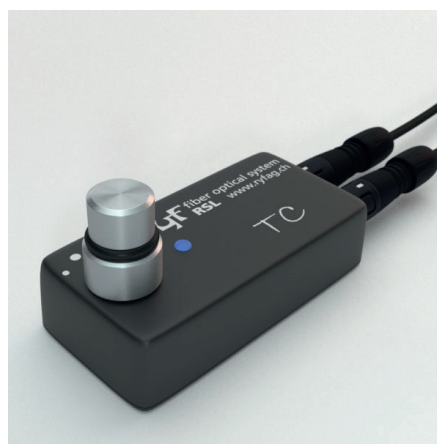
- Solid aluminium housing in modern design
- Flicker-free lighting thanks to optimized electronic
- Brightness adjustable from 0 to 100%
- Perfect incident light for microscope lenses with a diameter up to 66 mm
- Homogeneous illumination in the entire working range
- Variable clamping diameter, adaptable with reducing rings
- Various light colors and color temperatures available

Technical Data	
Working distance	50 mm - 150 mm
Optimum working distance	approx. 80 mm
Color temperature	5.600 K (natural white)
Number of LED	48
LED life span	50.000 h (according to manufacturer)
Height	25,5 mm
Outer diameter	99 mm
Inner diameter	66 mm
Clamping diameter	max. 66 mm
Inner thread	M67 × 0,75
Material	anodized aluminium
Color	black
Weight Ring Light	approx. 230 g

Technical Data	
Input power supply	100 - 240 V AC, 50 - 60 Hz
Output power supply	24 V DC, 1 A
Power consumption	approx. 7 W
Dimensions control unit (l×w×h)	78 mm × 38 mm × 21 mm

Accessories	
Diffusor and protection glasses	
Polarisation filter sets	
Various reducing rings	
Extensions for connector cables	

MADE  
IN  
GERMANY



© 2018 Ryf AG. Technical specifications are subject to change without notice.

Bettlachstrasse 2 • CH-2540 Grenchen • Phone: +41 32 654 21 00 • Fax: +41 32 654 21 09 • E-Mail: ryfag@ryfag.ch • Web: www.ryfag.ch